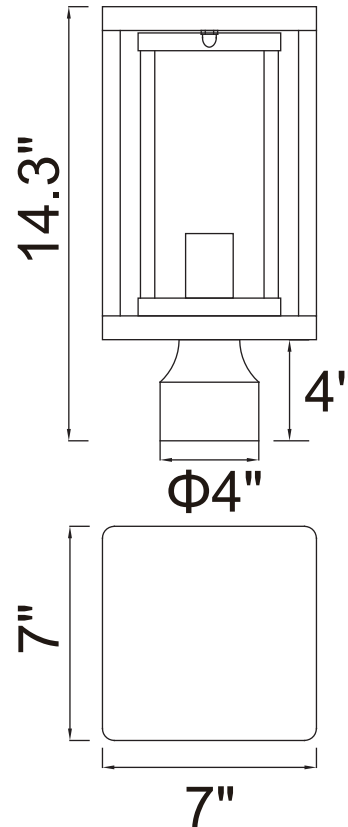




PROJECT: _____
 FIXTURE TYPE: _____
 LOCATION: _____
 CONTACT/PHONE: _____



Item	0415PT7-1-101	Shade Color	-----	Lumens	-----
Collection	MULVANE	Min Assembled Height	14.3"	Light Source	E26
Category	Outdoor Lantern Head	Max Assembled Height	14.3"	Bulb Info.	1×60W
Finish	Black	Width	7"	Included	-----
Glass	Clear	Length	7"	Dimmable	Yes
Crystal	-----	Extension Wall Mounts	-----	Colour Temp	-----
Acrylic	-----	Input	120V AC,60HZ,AC	Weight	6.3bs

CWI Lighting
 2775 Broadway
 Buffalo, NY 14227
 USA

CWI Lighting
 140 Steelcase Rd. W.
 Markham ON. L3R 3J9
 Canada

Dallas Showroom
 Showroom #: 4707
 2100 N. Stemmons Frwy.
 Dallas, TX 75207

Email: info@cwilighting.com
 Toll: 1-877-564-6034
www.cwilighting.com

