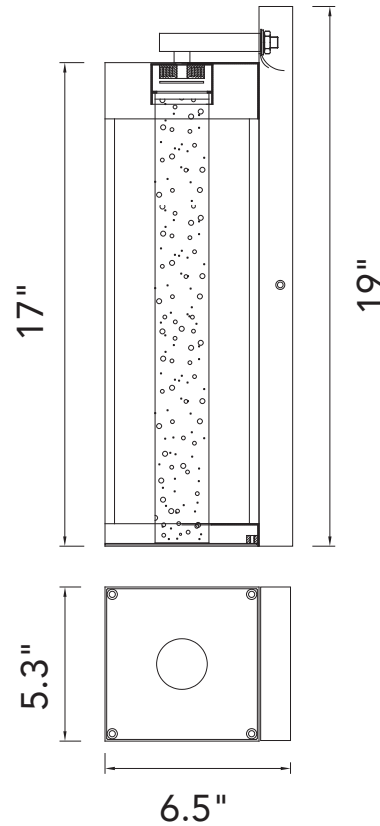




PROJECT: _____
 FIXTURE TYPE: _____
 LOCATION: _____
 CONTACT/PHONE: _____



| | |
|------------|--------------------|
| Item | 1696W5-1-101-C |
| Collection | ROCHESTER |
| Category | Outdoor Wall Light |
| Finish | Black |
| Glass | Clear |
| Crystal | ----- |
| Acrylic | ----- |

| | |
|-----------------------|-----------------|
| Shade Color | ----- |
| Min Assembled Height | 19" |
| Max Assembled Height | 19" |
| Width | 5.3" |
| Length | ----- |
| Extension Wall Mounts | 6.5" |
| Input | 120V AC,60HZ,AC |

| | |
|--------------|----------------|
| Lumens | 312 |
| Light Source | Integrated LED |
| Bulb Info. | 6W |
| Included | Yes |
| Dimmable | Yes |
| Colour Temp | 3000 |
| Weight | 7.48 Lbs |

CWI Lighting
 2775 Broadway
 Buffalo, NY 14227
 USA

CWI Lighting
 140 Steelcase Rd. W.
 Markham ON. L3R 3J9
 Canada

Dallas Showroom
 Showroom #: 4707
 2100 N. Stemmons Frwy.
 Dallas, TX 75207

Email: info@cwilighting.com
 Toll: 1-877-564-6034
www.cwilighting.com

