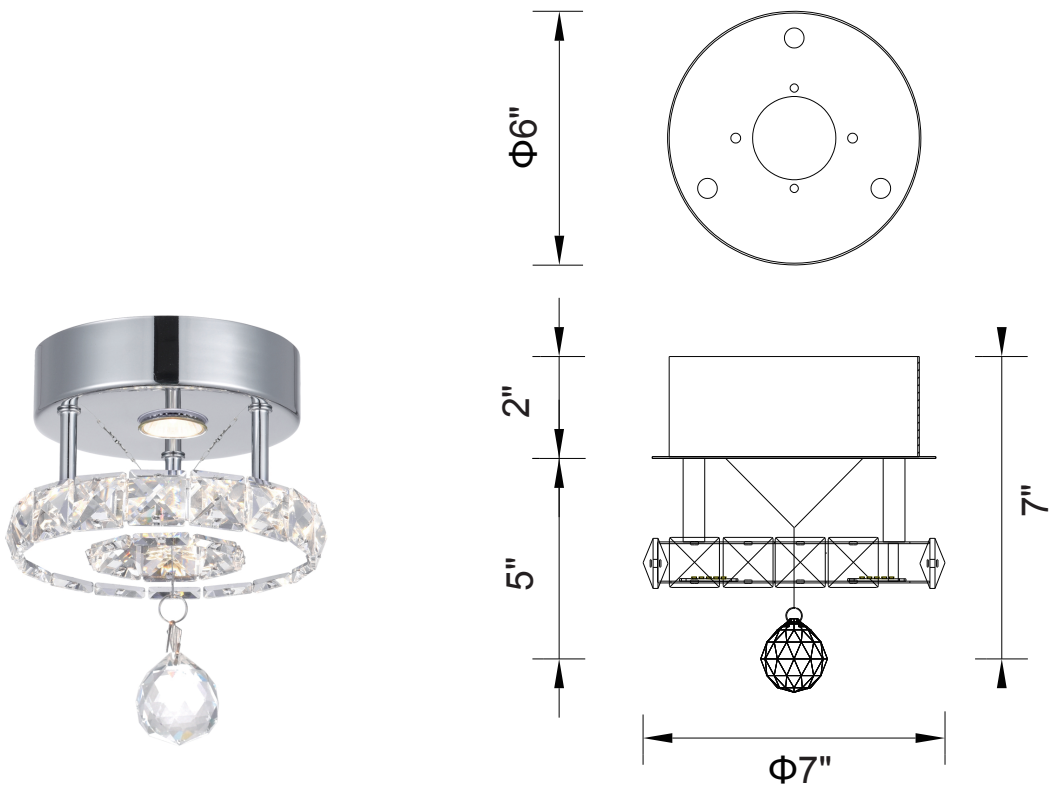




PROJECT: \_\_\_\_\_  
 FIXTURE TYPE: \_\_\_\_\_  
 LOCATION: \_\_\_\_\_  
 CONTACT/PHONE: \_\_\_\_\_



Item	5080C7ST
Collection	RING
Category	Flush Mount
Finish	Stainless Steel
Glass	-----
Crystal	Clear
Acrylic	-----

Shade Color	-----
Min Assembled Height	7"
Max Assembled Height	7"
Width	7"
Length	-----
Extension Wall Mounts	-----
Input	120V AC,60HZ,AC

Lumens	312
Light Source	GU10 + Integrated LED
Bulb Info.	1x35W + 6W
Included	-----
Dimmable	Yes
Colour Temp	4000K
Weight	4.85 Lbs

CWI Lighting  
 2775 Broadway  
 Buffalo, NY 14227  
 USA

CWI Lighting  
 140 Steelcase Rd. W.  
 Markham ON. L3R 3J9  
 Canada

Dallas Showroom  
 Showroom #: 4707  
 2100 N. Stemmons Frwy.  
 Dallas, TX 75207

Email: [info@cwilighting.com](mailto:info@cwilighting.com)  
 Toll: 1-877-564-6034  
[www.cwilighting.com](http://www.cwilighting.com)

