

PROJECT NAME: \_\_\_\_\_

CAT. #: \_\_\_\_\_

NOTES: \_\_\_\_\_

FIXTURE SCHEDULE: \_\_\_\_\_

## AE Switch Area Light (Includes Remote Control Switching from the ground!)



Toolless housing access



150W with Flexible Arm



Switchable Wattage/  
CCT/Distribution



150W with Straight Arm  
& optional remote for  
CCT/Distribution



150W with Slipfitter

### Product Description

The AE Switch Area Light offers tremendous selectability and controls capabilities. Besides CCT and Wattage choices, it expands its versatility to include changing distributions between Types III, IV and V. Now available with the ability to change CCT and Distribution with a remote control from the ground! It covers wattages ranging from 75W-300W in either 120-277V or 277-480V using two low EPA housings. It also offers a variety of mounting options along with visor accessories. All of this is available with robust surge protection and Maxlite's proven quality bringing you great value in a competitive Value Series package.

### Features

- 27 performance options just a switch away!
  - Distribution Types III, IV or V
  - CCT selectable between 3000/4000/5000K
  - Wattage selectable
- Remote Control option to change CCT and Distributions from the ground, just point and click!
- c-Max and/or twist lock receptacle control options
- Universal 120-277V standard, High Voltage 277-480V option
- Robust surge protection - 6kV + 10kA standard with 20kA option
- Toolless housing access for easier maintenance
- Variety of field installable mountings - Arm, Slipfitter and Trunnion
- ANSI 3G vibration rated
- TAA compliance available - contact Maxlite for details



### Model Selection

FAMILY	WATTAGE	VOLTAGE	DISTRIBUTION	CCT	FINISH	MOUNTING	CONTROL OPTIONS (FACTORY INSTALLED)	SURGE
AE = Slim Area	85 = 85W (dedicated)	U = 120-277V H = 277-480V	MC = Manual Switch between Types III, IV & V  MI = Manual Switch or Remote control to change CCT (3/4/5K) or Distribution (III/IV/V).  <i>Remote control sold separately.</i>	CS = CCT Selectable (3/4/5K), 85W Dedicated Wattage  WCS = CCT/Wattage Selectable (3/4/5K)  <i>Wattage Selectability Manual Switch only</i>	B = Bronze  <i>Contact Maxlite for additional finishes.</i>	STANDARD  X = Upper half knuckle attached with 6' SO cord  <i>Order lower half flexible arm or slipfitter (2 3/8" OD) separately - see Mounting Guide &amp; Accessories Chart</i>  FACTORY INSTALLED OPTIONS* A = Straight Arm F = Flexible Arm K = 2-3/8" OD Adjustable Slipfitter T = Trunnion 2 = Flexible Arm and Slipfitter included  <i>* For Field Installed Options - see Mounting Guide &amp; Accessories chart</i>	CR = Controls ready for c-Max Controls  RPC= 3-pin twist lock receptacle  PR7= 7-pin twist lock receptacle (CR is disabled)	Blank = 6kV +10kA Surge Protection (Standard)  S = 20kA Surge Protection  <i>Factory Installed</i>
	100 = 75/85/100W							
	150 = 100/125/150W							
	200 = 150/175/200W							
	300 = 200/250/300W							

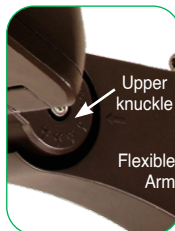
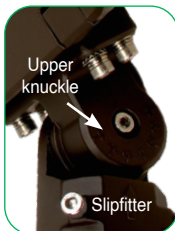
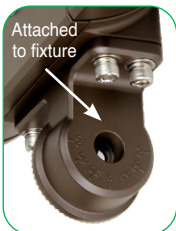
### Mounting Guide

#### Flexible Arm or Slipfitter (attach to Upper Knuckle)

Upper Knuckle "K"

Slipfitter

Flexible Arm



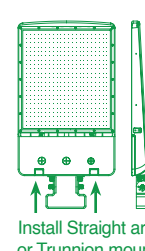
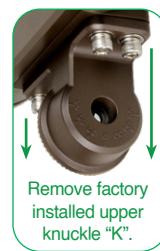
X Upper knuckle (attached, standard)

AE-KLH Slipfitter (lower half of knuckle, ordered separately)

AE-FLH Flexible Arm (lower half of knuckle, ordered separately)

#### Field installed options

Upper Knuckle "K"



AE-SAB Straight Arm (field installed)

MAE-TSB Trunnion (field installed)

Upper Knuckle is attached to the fixture and includes 6' SO cord. It is the mounting point for Flexible Arm & Slipfitter which are ordered separately.

Remove factory installed upper knuckle "K".  
Install Straight arm or Trunnion mount.

For Factory installed options, see Mounting in Model Selection matrix

# AE Switch Area Light (Includes Remote Control Switching from the ground!)

## DLC Chart

Primary Use Designation: Outdoor Pole/Arm-Mounted Area and Roadway Luminaires

### Universal Models

MODEL #	DLC PRODUCT ID
AE100U[MC,MI]-WCS[ALL OPTIONS]	S-NIRGY3
AE150U[MC,MI]-WCS[ALL OPTIONS]	S-BXDJ7Q
AE200U[MC,MI]-WCS[ALL OPTIONS]	S-QK1ZGD
AE300U[MC,MI]-WCS[ALL OPTIONS]	S-9PSMD0

### High Voltage Models

MODEL #	DLC PRODUCT ID
AE100H[MC,MI]-WCS[ALL OPTIONS]	S-MVN60V
AE150H[MC,MI]-WCS[ALL OPTIONS]	S-6SNRKR
AE200H[MC,MI]-WCS[ALL OPTIONS]	S-JVSXLX
AE300H[MC,MI]-WCS[ALL OPTIONS]	S-2H7WRV

## Accessories (Sold Separately)

ORDER CODE	MODEL NUMBER	DESCRIPTION	IMAGE
112489	AE-IRRC	AE REMOTE CONTROL FOR MI CHANGEABLE OPTICS (CCT 3/4/5K AND DISTRIBUTION III/IV/V) (REQUIRES 2 AA BATTERIES, NOT INCLUDED)	
112467	AE-SHIELD-SM	AE CHANGEABLE OPTICS FRONT/BACK SHIELD <150W	
112468	AE-SHIELD-LG	AE CHANGEABLE OPTICS FRONT/BACK SHIELD >150W	
112465	AE-VISOR-SM	AE CHANGEABLE OPTICS SIDE VISOR <150W	
112466	AE-VISOR-LG	AE CHANGEABLE OPTICS SIDE VISOR >150W	
111983	AE-FLH	LOWER KNUCKLE ARM ATTACHES TO UPPER HALF OF THE KNUCKLE (K) ON THE FIXTURE	
111984	AE-KLH	LOWER KNUCKLE SLIPFITTER ATTACHES TO UPPER HALF OF THE KNUCKLE (K) ON THE FIXTURE	
111217	AE-SAB	STRAIGHT ARM FOR AE SERIES, BRONZE (REMOVE UPPER KNUCKLE TO INSTALL, SEE MOUNTING GUIDE ABOVE)	
112461	MAE-TSB	TRUNNION SWIVEL FOR AE SERIES, BRONZE (REMOVE UPPER KNUCKLE TO INSTALL, SEE MOUNTING GUIDE ABOVE)	
105038	PCTL-UNV	TWIST-LOCK ELECTRONIC PHOTOCONTROL 120/208/240/277V (USED WITH RPC OR PR7 OPTION, NOT C-MAX)	
105866	PCTL-HV	TWIST-LOCK ELECTRONIC PHOTOCONTROL 480V (USED WITH RPC OR PR7 OPTION, NOT C-MAX)	
96268	MLRTLPCRSP	SHORTING CAP FOR NEMA TWIST LOCK PHOTOCELL RECEPTACLE (3, 5 OR 7 PIN)	
<b>c-Max Basic</b>			
105567	CN-REMOTE	C-MAX REMOTE CONTROL, AT LEAST 1 PER PROJECT TO PROGRAM MOTION SENSOR (RPC OR PR7)	
105569	CN-RDPCB†	C-MAX PHOTOCELL NODE ROUND, BRONZE, IP66, USED WITH CONTROLS READY FIXTURES	
111456	CN-RDMSB-V2†*	C-MAX CONTROL NODE ROUND, PIR MOTION SENSOR/PHOTOCELL, BRONZE, IP66, USED WITH CONTROLS READY FIXTURES	
<b>c-Max Network**</b>			
105897	NN-RDB	NETWORK NODE ROUND, BRONZE	
111459	NN-RDMPBXR	NETWORK NODE ROUND, PIR MOTION SENSOR, PHOTOCELL, BLACK, EXTENDED (XR) RANGE	
106391	NN-RDW	NETWORK NODE ROUND, WHITE	

† Requires 1.5M Allen wrench \* Requires at least 1 remote control (CN-REMOTE) per project to program \*\* Requires c-Max App



## AE Switch Area Light (Includes Remote Control Switching from the ground!)

### Specifications

Specifications	AE100	AE150	AE200	AE300
<b>Nominal Wattage &amp; Distribution Type</b>	Selectable 100/85/75W Type III, IV or V distribution	Selectable 150/125/100W Type III, IV or V	Selectable 200/175/150W Type III, IV or V	Selectable 300/250/200W Type III, IV or V
<b>CCT/Distribution Selectability</b>	Move switch to <b>MAN</b> for manual switch control, switch to <b>RC</b> if remote control is desired. <b>Remote control will only work if switch is set to RC.</b>			
<b>Type III (Default setting) Lumens Range (lm)</b>  (Lumens depend on CCT setting)	<b>100W*</b> 15,790 - 16,390 lm	<b>150W*</b> 21,640 - 22,810 lm	<b>200W*</b> 28,970 - 30,090 lm	<b>300W*</b> 43,220 - 45,670 lm
	<b>85W</b> 12,750 - 13,650 lm	<b>125W</b> 18,120 - 20,750 lm	<b>175W</b> 25,550 - 28,090 lm	<b>250W</b> 37,000 - 40,660 lm
	<b>75W</b> 10,950 - 11,770 lm	<b>100W</b> 15,790 - 16,390 lm	<b>150W</b> 21,640 - 22,810 lm	<b>200W</b> 28,970 - 30,090 lm
<b>TYPE III BUG rating (3K/4K/5K)</b>	B3, U0, G3	B3, U0, G3	B4, U0, G4	B4, U0, G4
<b>Type IV Lumens Range (lm)</b>  (Lumens depend on CCT setting)	<b>100W*</b> 15,930 - 16,550 lm	<b>150W*</b> 21,970 - 23,030 lm	<b>200W*</b> 28,800 - 29,860 lm	<b>300W*</b> 43,680 - 45,030 lm
	<b>85W</b> 12,750 - 13,650 lm	<b>125W</b> 18,120 - 20,750 lm	<b>175W</b> 25,550 - 28,090 lm	<b>250W</b> 37,000 - 40,660 lm
	<b>75W</b> 10,950 - 11,770 lm	<b>100W</b> 15,930 - 16,550 lm	<b>150W</b> 21,970 - 23,030 lm	<b>200W</b> 28,800 - 29,860 lm
<b>TYPE IV BUG rating (3K/4K/5K)</b>	B3, U0, G3	B4, U0, G4	B4, U0, G4	B5, U0, G5
<b>Type V Lumens Range (lm)</b>  (Lumens depend on CCT setting)	<b>100W*</b> 15,260 - 15,900 lm	<b>150W*</b> 21,360 - 23,030 lm	<b>200W*</b> 28,850 - 30,020 lm	<b>300W*</b> 43,700 - 45,000 lm
	<b>85W</b> 12,750 - 13,650 lm	<b>125W</b> 18,120 - 20,750 lm	<b>175W</b> 25,550 - 28,090 lm	<b>250W</b> 37,000 - 40,660 lm
	<b>75W</b> 10,950 - 11,770 lm	<b>100W</b> 15,260 - 15,900 lm	<b>150W</b> 21,360 - 23,030 lm	<b>200W</b> 28,850 - 30,020 lm
<b>TYPE V BUG rating (3K/4K/5K)</b>	3K: B4, U0, G3	3K: B4, U0, G4	3K: B4, U0, G4	3K: B5, U0, G5
<b>Efficacy (lm/w)</b>	146 - 168	145 - 166	146 - 161	146 - 163
<b>EPA (sq ft) - w/ Slipfitter</b> 0° Horizontal / 90° Vertical	0° = 0.4343988	0° = 0.4343988	0° = 0.4849236	0° = 0.4849236
	90° = 1.699908	90° = 1.699908	90° = 2.676216	90° = 2.676216
<b>EPA (sq ft) - w/ Adjustable Arm</b> 0° Horizontal / 30° Vertical	0° = 0.5203704	0° = 0.5203704	0° = 0.573006	0° = 0.573006
	30° = 0.8542836	30° = 0.8542836	30° = 1.431732	30° = 1.431732
<b>CRI</b>	>80			
<b>Color Temperature (K)</b>	3000K/4000K/5000K Selectable (Default CCT: 5000K)			

\* Default power setting



## AE Switch Area Light (Includes Remote Control Switching from the ground!)

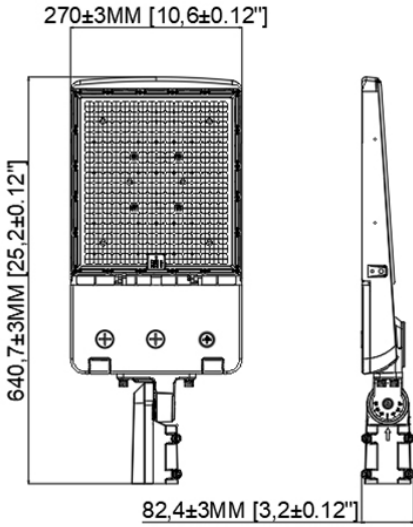
Specifications	AE100	AE150	AE200	AE300
Voltage	120-277V, 277-480V option			
Dimming	0-10V, compatible with c-Max Controls, 3pin or 7pin twist lock NEMA receptacle option			
Surge Protection	6kV integral to driver + 10kA stand alone standard, 20kA option			
Lumen Maintenance (L70) hrs	100,000+ Hours			
Housing	Die Cast Aluminum with corrosion resistant polyester powder coat			
Lens	Polycarbonate			
Mounting	<p><b>Standard Upper Half Knuckle with 6' SO cord attached (X)</b></p> <ul style="list-style-type: none"> <li>- Order lower half Flexible Arm (AE-FLH) or Slipfitter (AE-KLH - 2 3/8" OD) separately - see Accessories Chart &amp; Mounting Guide</li> </ul> <p><b>Choices for Factory Install</b></p> <ul style="list-style-type: none"> <li>- Straight Arm (A), Flexible Arm (F), 2-3/8" OD Adjustable Slipfitter (K), Trunnion (T) or both Flexible Arm and Slipfitter in same carton (2)</li> <li>- See Accessories Chart &amp; Mounting Guide for field installable mountings</li> </ul> <p><i>NOTE: Arms fit both square and round poles, see Installation Manual</i></p>			
Weight w/ Slipfitter	10.09 lbs	10.09 lbs	13.91 lbs	13.91 lbs
Weight w/ Arm	10.38 lbs	10.38 lbs	14.17 lbs	14.17 lbs
Weight w/ Trunnion	12.86 lbs	12.86 lbs	17.91 lbs	17.91 lbs
Operating Temperature	-40°C/-40°F (-50°C/122°F)			
Listings	UL, FCC, RoHS, DLC, ANSI 3G, TAA Available			
DLC	Premium - Outdoor Pole/Arm-Mounted Area and Roadway Luminaires			
Environmental	IP65, Wet Location			
Warranty	5 Years (see Maxlite warranty page for details)			

# AE Switch Area Light (Includes Remote Control Switching from the ground!)

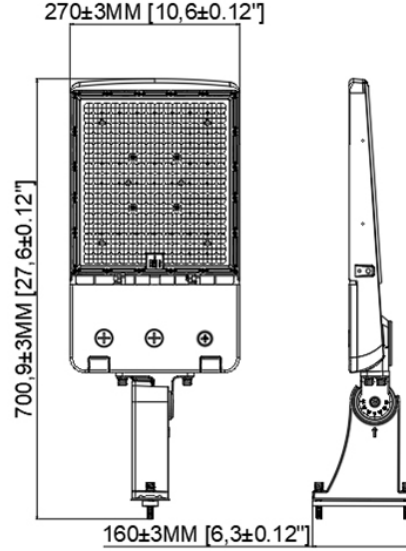
## Dimensions: 100-300W models

### 100W & 150W

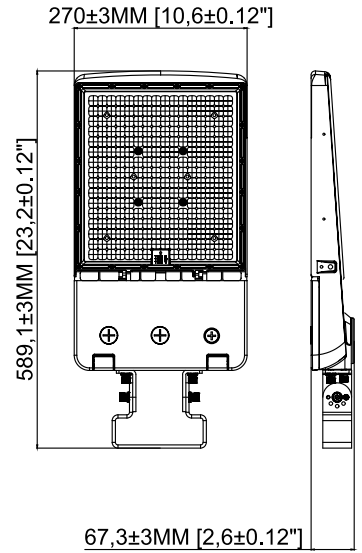
Slipfitter



Arm

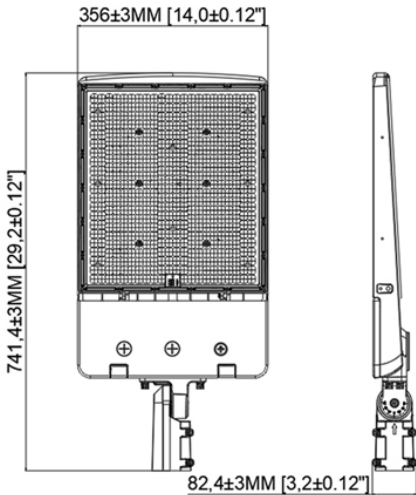


Trunnion

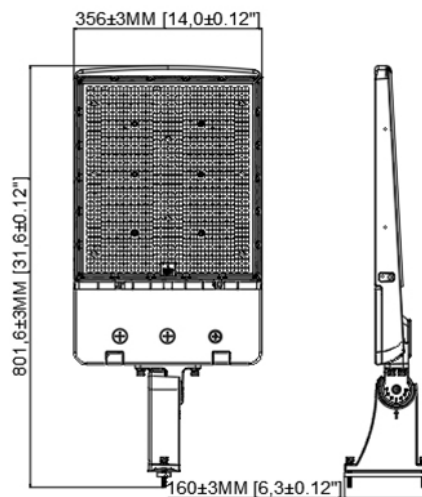


### 200W & 300W

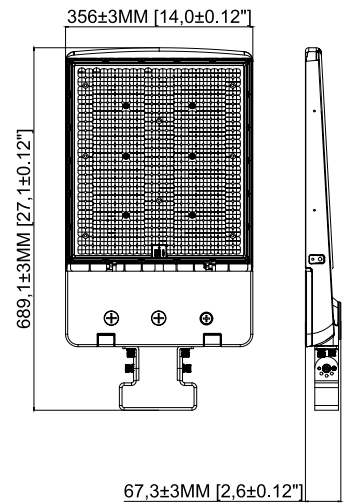
Slipfitter



Arm



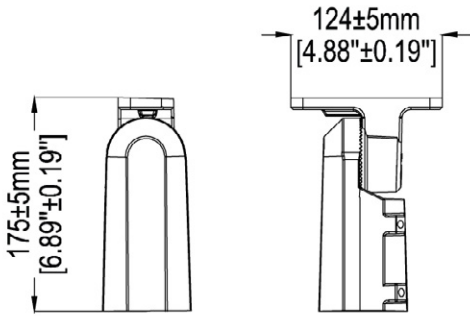
Trunnion



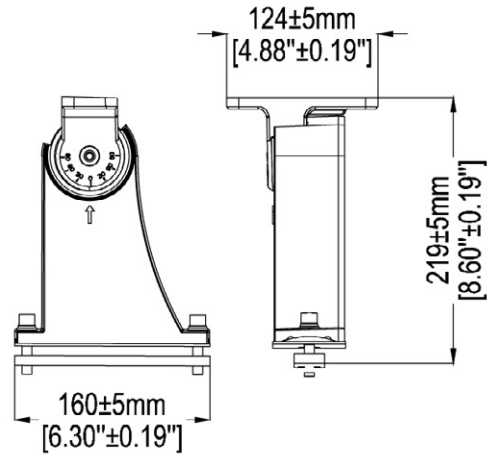
# AE Switch Area Light (Includes Remote Control Switching from the ground!)

## Dimensions: Mounting Options Only

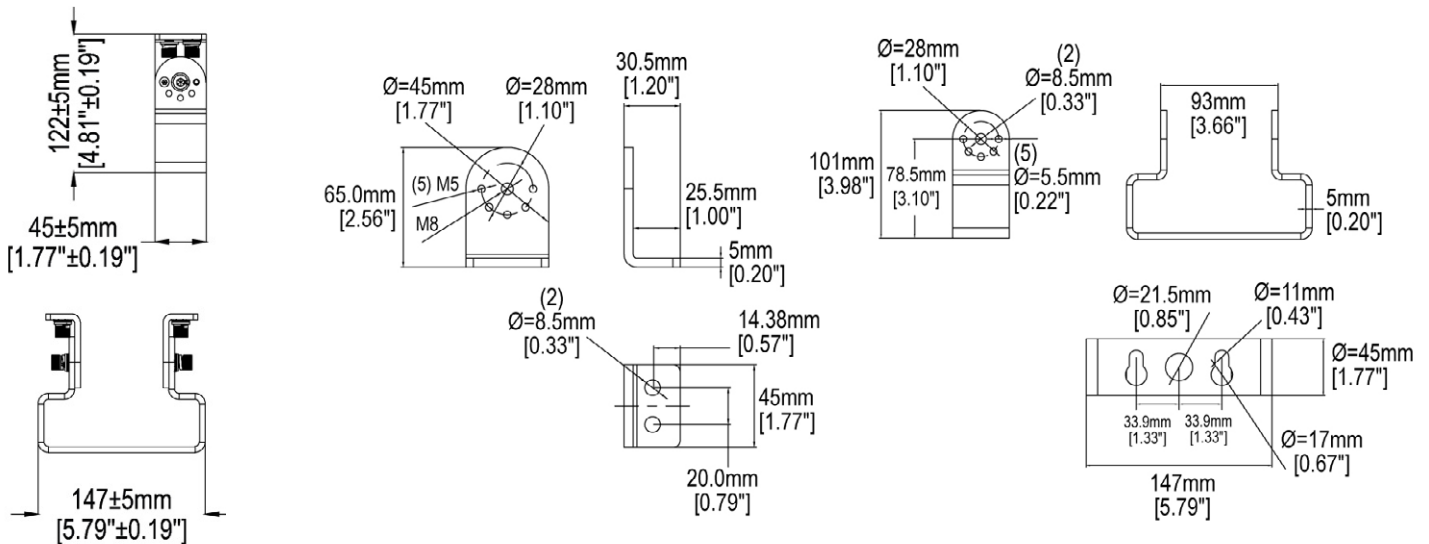
Slipfitter



Arm



Trunnion



# AE Switch Area Light (Includes Remote Control Switching from the ground!)

## PHOTOMETRICS

### ISOFOOTCANDLE:

- Each gridline represents one mounting height.
- For mounting heights other than noted multiply FC by the below factor.

$$\text{Factor} = \frac{(\text{Chart's Mtg. Height})^2}{(\text{Actual Mtg. Height})^2}$$

#### LEGEND

<span style="display: inline-block; width: 15px; height: 15px; background-color: red; border: 1px solid black;"></span> 0.2 fc	<span style="display: inline-block; width: 15px; height: 15px; background-color: green; border: 1px solid black;"></span> 0.5 fc	<span style="display: inline-block; width: 15px; height: 15px; background-color: blue; border: 1px solid black;"></span> 1.0 fc
<span style="display: inline-block; width: 15px; height: 15px; background-color: magenta; border: 1px solid black;"></span> 2.0 fc	<span style="display: inline-block; width: 15px; height: 15px; background-color: purple; border: 1px solid black;"></span> 5.0 fc	<span style="display: inline-block; width: 15px; height: 15px; background-color: yellow; border: 1px solid black;"></span> 10.0 fc

