



Project:	Type:
Prepared By:	Date:

Driver Info		LED Info	
Type	Constant Current	Watts	150/100/80W
120V	1.30A/0.90A/0.70A	Color Temp	3000/4000/5000K
208V	0.80A/0.50A/0.40A	Color Accuracy	83-86 CRI
240V	0.70A/0.45A/0.35A	L70 Lifespan	100,000 Hours
277V	0.60A/0.40A/0.30A	Lumens	12720-22951 lm
Input Watts	77.4-152.2W	Efficacy	138.6-170.2 lm/W

Technical Specifications

Field Adjustability

Field Adjustable:

Field Adjustable Light Output:
150W/100W/80W (factory default 150W)
Color temperature selectable by 3000K, 4000K and 5000K (factory default 4000K)
Distribution selectable by Type III, Type IV, and Type V (factory default Type III)

Compliance

UL Listed:

Suitable for wet locations

IESNA LM-79 & LM-80 Testing:

RAB LED luminaires and LED components have been tested by an independent laboratory in accordance with IESNA LM-79 and LM-80.

IP Rating:

Ingress protection rating of IP66 for dust and water

DLC Listed:

This product is listed by Design Lights Consortium (DLC) as an ultra-efficient premium product that qualifies for the highest tier of rebates from DLC Member Utilities. Designed to meet DLC 5.1 requirements.
DLC Product Code: S-H9Z27G (Architectural Flood and Spot Luminaires)
DLC Product Code: S-G2D0YZ (Outdoor Pole/Arm-Mounted Area and Roadway Luminaires)

Performance

Lifespan:

100,000-Hour LED lifespan based on IES LM-80 results and TM-21 calculations

Electrical

Driver:

Constant Current, Class1, 120-277V, 50/60 Hz:
150W: 120V: 1.30A, 208V: 0.80A, 240V: 0.70A, 277V 0.60A
100W: 120V: 0.90A, 208V: 0.50A, 240V: 0.45A, 277V 0.40A
80W: 120V: 0.70A, 208V: 0.40A, 240V: 0.35A, 277V 0.30A

Dimming Driver:

Driver includes dimming control wiring for 0-10V dimming systems. Requires separate 0-10V DC dimming circuit. Dims down to 10%.

THD:

5.6% at 120V, 11.5% at 277V

Power Factor:

99.8% at 120V, 96.4% at 277V

Aux Power Supply:

Yes

Dim to Off:

Yes

Surge Protection:

L/N-PE: 6 kV, L-N: 6 kV

7-Pin Receptacle with Shorting Cap:

ANSI C136.41 7-pin receptacle, compatible with wireless control systems

Photocell:

120V-277V 3-Pin Twistlock photocell included. Photocell is compatible with 120V - 277V.

Construction

IES Classification:

Type III/IV/V Distribution Adjustable:
The Type III distribution is ideal for roadway, general parking and other area lighting applications where a larger pool of lighting is required. It is intended to be located near the side of the area, allowing the light to project outward and fill the area.
The Type IV distribution (also known as a Forward Throw) is especially suited for illuminating the perimeter of parking areas and for intersections. It produces a semicircular distribution with essentially the same candlepower at lateral angles from 90° to 270°.
The Type V distribution produces light in a wide and uniform 360° pattern that is perfect for large outdoor areas such as parking lots, corporate parks and retail settings

Technical Specifications (continued)

Cold Weather Starting:

The minimum starting temperature is -40°F (-40°C)

Maximum Ambient Temperature:

Suitable for use in up to 122°F (50°C)

Lens:

Clear polycarbonate lens

Housing:

Die-cast aluminum

Vibration Rating:

3G vibration rating per ANSI C136.31

Effective Projected Area:

1.3 ft²

Finish:

Formulated for high durability and long-lasting color

Gaskets:

High-temperature silicone

Green Technology:

Mercury and UV free. RoHS-compliant components.

LED Characteristics

LEDs:

Long-life, high-efficacy, surface-mount LEDs

Color Uniformity:

RAB's range of Correlated Color Temperature follows the guidelines of the American National Standard for Specifications for the Chromaticity of Solid State Lighting (SSL) Products, ANSI C78.377-2017.

Installation

Mounting:

Adjustable universal pole mount (standard).
Slipfitter and wall mount accessory available.

Optical

Bug Rating:

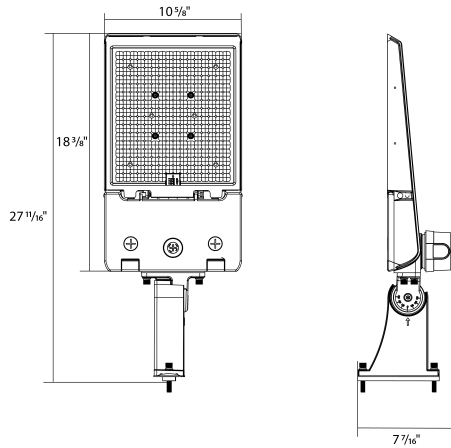
B3-U0-G3

Other

5-Year Limited Warranty:

The RAB 5-year, limited warranty covers light output, driver performance and paint finish. RAB's warranty is subject to all terms and conditions found at rablighting.com/warranty.

Dimensions



Features

- DLC Premium listed
- 100,000-hour LED Life
- 0-10V dimming standard
- 5-Year, limited warranty

Ordering Matrix

Family	Distribution	Wattage	Mounting	Color Temp	Finish	Driver	Options
AL22		150			W		
	Blank = T3/T4/T5 Optics Adjustable	150 = 150/100/80W 300 = 300/240/200W	Blank = Universal Adjustable Pole Mount	Blank = 3000/4000/5000K CCT Adjustable	Blank = Bronze W = White	Blank = 120-277V, 0-10V Dimming /480 = 480V, 0-10V Dimming	Blank = 7-Pin Receptacle with Shorting Cap + 3- Pin Twistlock Photocell