

Color: Brushed nickel

Weight: 2.6 lbs

Project:	Type:
Prepared By:	Date:

Driver Info		LED Info	
Type	Constant Current, Class 2	Watts	24W
120V	0.23A	Color Temp	2700/3000/3500/4000/5000K
208V	N/A	Color Accuracy	>90 CRI
240V	N/A	L70 Lifespan	50,000 Hours
277V	N/A	Lumens	1,700 lm
Input Watts	24W	Efficacy	78

Technical Specifications

Performance

Product Type:
Linear Wall Sconce

Description:
The ALLURE vanity family is a sleek & modern fixture perfect for single or multi-family projects

Wattage Equivalency:
170W Incandescent

Lumens:
1,700lm

Efficacy:
78lm/W

L70 Lifespan:
50,000-Hour LED lifespan based on IES LM-70 results

Driver:
Linear

Electrical

THD:
<50%

Power Factor:
>0.9

Input Wattage:
24W

Dimmable:
Yes, dimmable down to 10% on compatible TRIAC/ELV dimming systems. See Dimmer Compatibility List.

Input Voltage:
120V

Operating Frequency:
60 Hz

Input Current @ 120V (mA):
225mA

Operating Temperature:
-4°F to 104°F (-20°C to 40°C)

Flicker:
<30%

LED Characteristics

Beam Angle:
140°

Color Temperature:
Field adjustable via dip switch
2700/3000/3500/4000/5000K

Color Accuracy (CRI):
>90 CRI

R9 Value:
High color performance with R9 greater than 50

Color Consistency:
<7-step MacAdam Ellipse binning to achieve consistent fixture-to-fixture color

Color Stability:
LED color temperature is warranted to shift no more than 200K in color temperature over a 5-year period

Color Uniformity:
RAB's range of Correlated Color Temperature follows the guidelines of the American National Standard for Specifications for the Chromaticity of Solid State Lighting (SSL) Products, ANSI C78.377-2017.

Installation

Mounting:
Wall Mount in Horizontal or Vertical orientation

Construction

Length:
24"

Shape:
Linear Bar with Square Lens

Technical Specifications (continued)**Finish:**

Brushed Nickel

FCC:

Complies with Part 15 of the FCC Rules

Enclosure Material:

Polycarbonate/Metal

\

Lens Finish:

Frosted

Other**Compatible Accessories:**

None

Lens:

Polycarbonate light diffuser distributes light evenly and smoothly for general lighting applications

5-Year, No-Compromise Warranty:

RAB warrants that our LED products will be free from defects in materials and workmanship for a period of five (5) years from the date of delivery to the end user, including coverage of light output, color stability, driver performance and fixture finish. RAB's warranty is subject to all terms and conditions found at rablighting.com/warranty.

Compliance**ETL Listed:**

This product has been tested by Intertek and found in compliance with accepted national standards.

Environment:

Suitable for use indoors in dry and damp environments.

IC Rated:

No

Air Tight:

No

Energy Star Approved:

No

DLC Listed:

No

Certification Model Number:

V023(ALR-24SBN)

California Title 20 Compliant:

No

California Title 24 JA8 Compliant:

Can be used to conform with the requirements of California Title 24 Part 6

California Energy Commission (CEC) Status:

Lawful for Sales in California

NSF Listed:

No

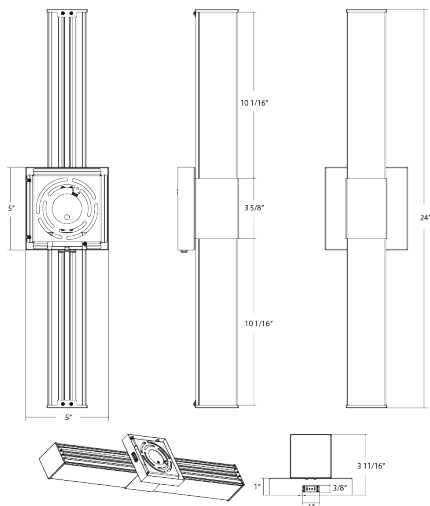
IESNA LM-79 & LM-80 Testing:

RAB LED luminaires and LED components have been tested by an independent laboratory in accordance with IESNA LM-79 and LM-80.

RoHS:

Mercury and UV free. RoHS-compliant components.

Dimensions



Features

- Steel housing with a shatter-resistant polycarbonate lens
- Modern round and square forms available in black or brushed nickel
- 5 CCT Selectable 2700/3000/3500/4000/5000K
- 120V driver with TRIAC/ELV dimming down to 10%
- Damp rated, Title 24 Compliant, 50,000 hrs, 5-year no compromise warranty

Ordering Matrix

Family	Size/Wattage	Shape	CRI/Color Temp	Driver	Finish
ALR	24	S			BN
	Blank = 14" Sconce, 16W 18 = 18", 20W 24 = 24", 24W 36 = 36", 30W 48 = 48", 38W	R = Round S = Square	Blank = 90 CRI, 2700/3000/3500/4000/5000K CCT Adjustable	Blank = 120V, TRIAC/ELV	B = Black BN = Brushed Nickel