

Color: White

Weight: 0.9 lbs

Project:	Type:
Prepared By:	Date:

Driver Info		LED Info	
Type	Constant Current	Watts	10W
120V	0.08A	Color Temp	3000K
208V	0.00A	Color Accuracy	93 CRI
240V	0.00A	L70 Lifespan	100,000 Hours
277V	0.00A	Lumens	785 lm
Input Watts	9.1W	Efficacy	86.3

Technical Specifications

Compliance

UL Listed:
Suitable for damp locations

IP Rating:
IP20

LED Characteristics

LEDs:
Long-life, high-efficacy, COB (Chip on Board) LEDs

Color Temperature:
3000K

Electrical

Driver:
Constant Current, Class 2, 120V, 60 Hz, 120V: 0.10A

Dimming Driver:
120V TRIAC Dimmers

Aux Power Supply:
No

Dim to Off:
No

Surge Protection:
Ring Wave L-N:2.5 kV, LN-PE 2.5 kV

Construction

Cold Weather Starting:
The minimum starting temperature is -4°F (-20°C)

Maximum Ambient Temperature:
Suitable for use in up to 104°F (40°C)

Housing:
Aluminum

Reflector:
Polycarbonate

Finish:
Formulated for high durability and long-lasting color

Performance

Lifespan:
100,000-Hour LED lifespan based on IESlm-80 results and TM-21 calculations

Installation

Mounting:
Recessed Mount

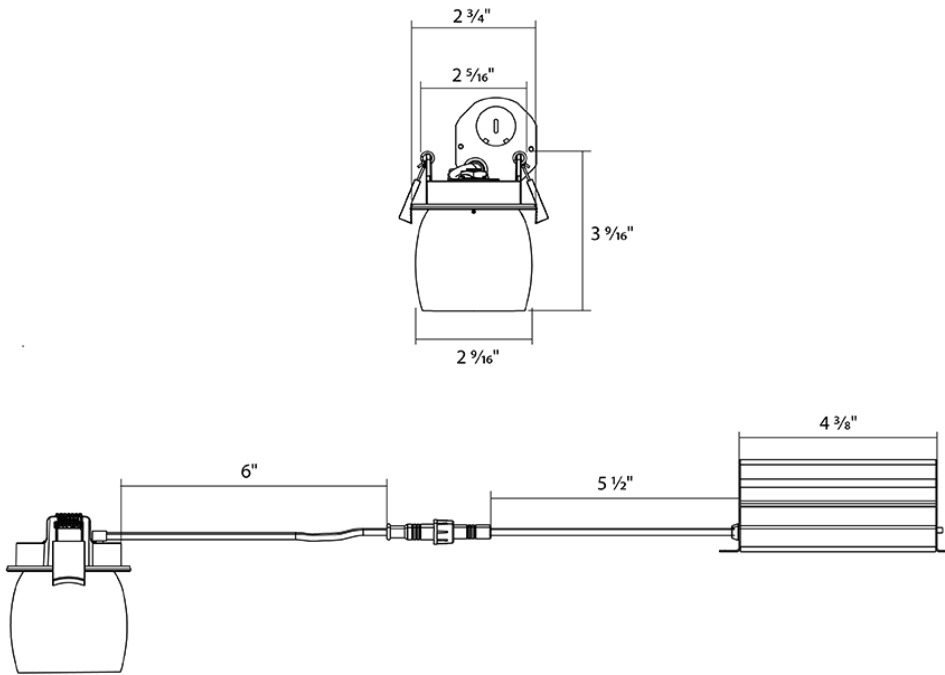
Optical

Optics:
36°

Other

5-Year Limited Warranty:
The RAB 5-year, limited warranty covers light output, driver performance and paint finish. RAB's warranty is subject to all terms and conditions found at rablighting.com/warranty.

Dimensions



Ordering Matrix

Family	Wattage	Mounting	Color Temp	Optics	Finish	Driver
ARC		RM				
	Blank = 10W	Blank = H-Track Mount SM = Surface Mount TP = H-Track Pendant Mount PM = Pendant Mount RM = Semi-Recessed Mount	Blank = 3000K	Blank = 36°	Blank = White Housing/Gold Reflector B = Black Housing/Gold Reflector	Blank = 120V, TRIAC Dimming