



| | |
|---------------------|--------------|
| Project: | Type: |
| Prepared By: | Date: |

| Driver Info | | LED Info | |
|-------------|------------------|----------------|---------------|
| Type | Constant Current | Watts | 10W |
| 120V | 0.08A | Color Temp | 3000K |
| 208V | 0.00A | Color Accuracy | 93 CRI |
| 240V | 0.00A | L70 Lifespan | 100,000 Hours |
| 277V | 0.00A | Lumens | 776 lm |
| Input Watts | 9.3W | Efficacy | 83.4 |

Technical Specifications

Compliance

UL Listed:

Suitable for dry locations

IP Rating:

IP20

LED Characteristics

LEDs:

Long-life, high-efficacy, COB (Chip on Board) LEDs

Color Temperature:

3000K

Electrical

Driver:

Constant Current, Class 2, 120V, 60 Hz, 120V: 0.10A

Dimming Driver:

120V TRIAC Dimmers

Aux Power Supply:

No

Dim to Off:

No

Surge Protection:

Ring Wave L-N:2.5 kV, LN-PE 2.5 kV

Construction

Cold Weather Starting:

The minimum starting temperature is -4°F (-20°C)

Maximum Ambient Temperature:

Suitable for use in up to 104°F (40°C)

Housing:

Aluminum

Reflector:

Polycarbonate

Finish:

Formulated for high durability and long-lasting color

Performance

Lifespan:

100,000-Hour LED lifespan based on IESlm-80 results and TM-21 calculations

Optical

Optics:

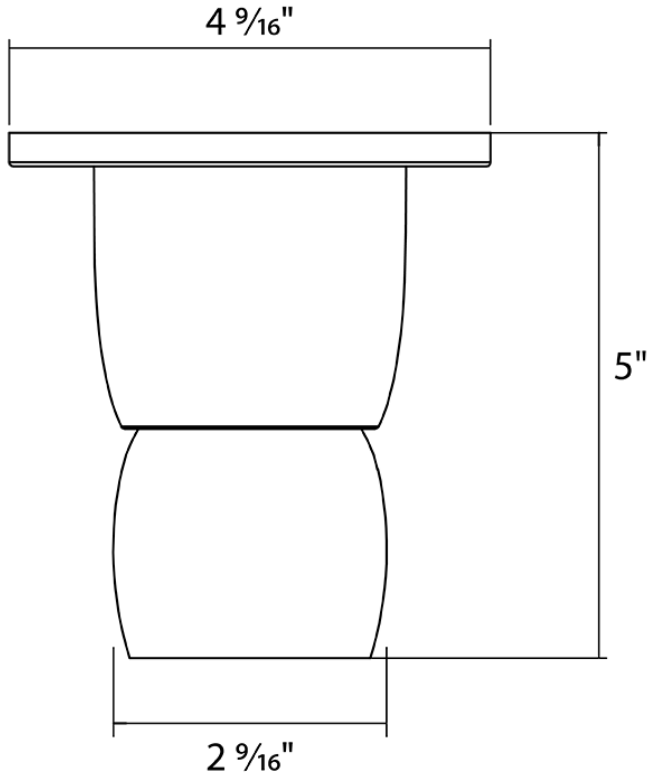
36°

Other

5-Year Limited Warranty:

The RAB 5-year, limited warranty covers light output, driver performance and paint finish. RAB's warranty is subject to all terms and conditions found at rablighting.com/warranty.

Dimensions



Ordering Matrix

| Family | Wattage | Mounting | Color Temp | Optics | Finish | Driver |
|--------|-------------|---|---------------|-------------|--|-----------------------------|
| ARC | | SM | | | | |
| | Blank = 10W | Blank = H-Track Mount SM = Surface Mount TP = H-Track Pendant Mount PM = Pendant Mount RM = Semi-Recessed Mount | Blank = 3000K | Blank = 36° | Blank = White Housing/Gold Reflector B = Black Housing/Gold Reflector | Blank = 120V, TRIAC Dimming |