



Color: White

Weight: 0.7 lbs

<b>Project:</b>	<b>Type:</b>
<b>Prepared By:</b>	<b>Date:</b>

Driver Info		LED Info	
Type	Constant Current	Watts	10W
120V	0.09A	Color Temp	3000K
208V	0.00A	Color Accuracy	93 CRI
240V	0.00A	L70 Lifespan	100,000 Hours
277V	0.00A	Lumens	837 lm
Input Watts	10.2W	Efficacy	82.1

**Technical Specifications**

**Compliance**

**UL Listed:**

Suitable for dry locations

**IP Rating:**

IP20

**LED Characteristics**

**LEDs:**

Long-life, high-efficacy, COB (Chip on Board) LEDs

**Color Temperature:**

3000K

**Electrical**

**Driver:**

Constant Current, Class 2, 120V, 60 Hz, 120V: 0.10A

**Dimming Driver:**

120V TRIAC Dimmers

**Aux Power Supply:**

No

**Dim to Off:**

No

**Surge Protection:**

Ring Wave L-N:2.5 kV, LN-PE 2.5 kV

**Construction**

**Cold Weather Starting:**

The minimum starting temperature is -4°F (-20°C)

**Maximum Ambient Temperature:**

Suitable for use in up to 104°F (40°C)

**Housing:**

Aluminum

**Reflector:**

Polycarbonate

**Finish:**

Formulated for high durability and long-lasting color

**Performance**

**Lifespan:**

100,000-Hour LED lifespan based on IESlm-80 results and TM-21 calculations

**Installation**

**Mounting:**

H-Track Mount

**Optical**

**Optics:**

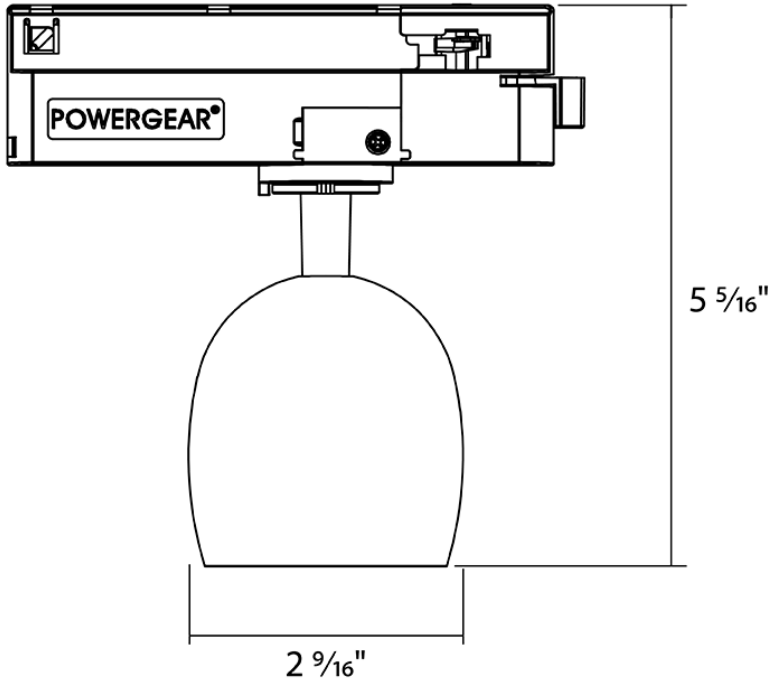
36°

**Other**

**5-Year Limited Warranty:**

The RAB 5-year, limited warranty covers light output, driver performance and paint finish. RAB's warranty is subject to all terms and conditions found at [rablighting.com/warranty](http://rablighting.com/warranty).

Dimensions



Ordering Matrix

Family	Wattage	Mounting	Color Temp	Optics	Finish	Driver
ARC						
	Blank = 10W	Blank = H-Track Mount SM = Surface Mount TP = H-Track Pendant Mount PM = Pendant Mount RM = Semi-Recessed Mount	Blank = 3000K	Blank = 36°	Blank = White Housing/Gold Reflector B = Black Housing/Gold Reflector	Blank = 120V, TRIAC Dimming