



Pole mounts

Color: Bronze

Weight: 5.8 lbs

Project:

Type:

Prepared By:

Date:

Technical Specifications

Construction

Finish:

Weather resistant polyester powder, bronze

Other

Patents:

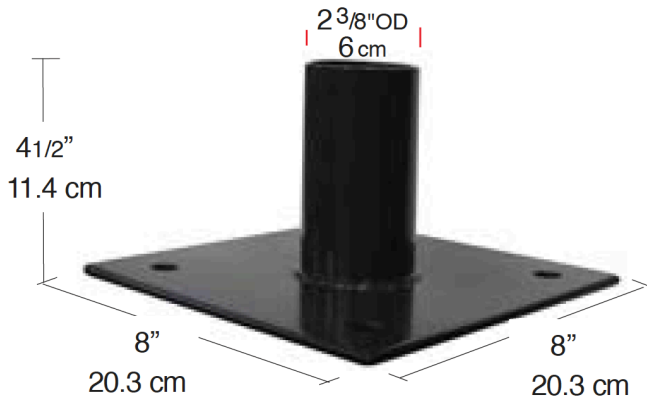
The designs of fixtures are protected under U.S. and international intellectual property laws.

Compliance

Trade Agreements Act Compliant:

This product is a product of Cambodia and a "designated country" end product that complies with the Trade Agreements Act

Dimensions



Features

- Easy, secure floodlight mounting
- Double Reinforced weld joints