

Project:

Type:

Prepared By:

Date:



UPC: 019813750095

### Features and Benefits

- Energy efficient replacement for incandescent and halogen reflector lamps
- Constructed from durable plastic which lowers risk of breakage
- Rated for use in enclosed and open fixtures in dry or damp locations
- Frosted lens produces smooth diffuse light
- Longer lifespan compared to legacy equivalents minimizes replacement and maintenance costs
- ENERGY STAR Compliant
- Dimmable with common dimmer types (see Dimmer Compatibility List)

## Technical Specifications

### Performance

**Product Type:**  
Reflector

**Input Wattage:**  
10W

**Lumens:**  
750lm

**Efficacy:**  
75lm/W

**L70 Lifespan:**  
25,000-Hour LED lifespan based on IES LM-70 results

**Wattage Equivalency:**  
65W

### LED Characteristics

**Color Accuracy (CRI):**  
90 CRI

**Color Temperature:**  
5000K

**Beam Angle:**  
120°

**Electrical**  
**Power Factor:**  
>0.9

**Dimmable:**  
Yes, down to 10%

**Input Voltage:**  
120V

**Operating Frequency:**  
60 Hz

**Operating Temperature:**  
-20°C to 40°C

### Construction

**Bulb Shape:**  
BR30

**Enclosure Material:**  
Plastic

**Housing Finish:**  
White

**Lens Finish:**  
Frosted

### Installation

**Base Type:**  
E26 Edison

### Other

**Technology EQ:**  
Incandescent

### Warranty:

RAB warrants that our LED products will be free from defects in materials and workmanship for a period of four (4) years from the date of delivery to the end user, including coverage of light output, color stability, driver performance and fixture finish. RAB's warranty is subject to all terms and conditions found at [rablighting.com/warranty](http://rablighting.com/warranty).

### Compliance

**UL Listed:**  
Yes

## Technical Specifications (continued)

**Environment:**

Damp / Enclosed

**T20 Compliant:**

Yes, Title 20 Tier 2

**Rohs:**

Mercury and UV free. RoHS-compliant components.

**FCC:**

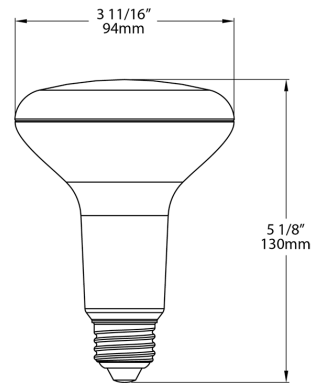
Complies with Part 15B of the FCC Rules

\ \_\_\_\_\_

## Case and Pallet Dimensions

	QTY	LENGTH (in)	WIDTH (in)	HEIGHT (in)
CASE	6	12	8	7
PALLET	840	47.9	40	39

## Dimension



## Light Distribution

