



Color: Black

Weight: 8.6 lbs

Project:	Type:
Prepared By:	Date:

Driver Info		LED Info	
Type	Constant Current	Watts	40/28/24/20/12W
120V	0.34A/0.23A/0.21A/0.17A/0.10A	Color Temp	3000/3500/4000K
208V	0.20A/0.15A/0.14A/0.12A/0.08A	Color Accuracy	92-93 CRI
240V	0.17A/0.13A/0.12A/0.10A/0.07A	L70 Lifespan	100,000 Hours
277V	0.16A/0.11A/0.10A/0.09A/0.06A	Lumens	1489-5573 lm
Input Watts	10.9-41.1W	Efficacy	132.2-145.2 lm/W

Technical Specifications

Field Adjustability

Field Adjustable:

Field Adjustable Light Output:
40/28/24/20/12W (factory default 40W)
Color Temperature Selectable:
3000K, 3500K and 4000K (factory default 3500K)

Compliance

UL Listed:

Suitable for dry/damp locations

IESNA LM-79 & LM-80 Testing:

RAB LED luminaires and LED components have been tested by an independent laboratory in accordance with IESNA LM-79 and LM-80.

IP Rating:

IP20

LED Characteristics

LEDs:

Long-life, high-efficiency, surface-mount LEDs

Color Uniformity:

RAB's range of Correlated Color Temperature follows the guidelines of the American National Standard for Specifications for the Chromaticity of Solid State Lighting (SSL) Products, ANSI C78.377-2017.

Electrical

Driver:

Constant Current, Class 2, 120-277V 50/60 Hz:
40W: 120V: 0.34A, 208V: 0.20A, 240V: 0.17A, 277V: 0.15A
28W: 120V: 0.24A, 208V: 0.13A, 240V: 0.13A, 277V: 0.11A
24W: 120V: 0.20A, 208V: 0.12A, 240V: 0.11A, 277V: 0.10A
20W: 120V: 0.17A, 208V: 0.10A, 240V: 0.09A, 277V: 0.09A
12W: 120V: 0.10A, 208V: 0.07A, 240V: 0.06A, 277V: 0.06A

Dimming Driver:

Driver includes dimming control wiring for 0-10V dimming systems. Requires separate 0-10V DC dimming circuit. Dims down to 10%.

Aux Power Supply:

Yes

Dim to Off:

Yes

Surge Protection:

1 kV L-L 2kV L/N-G

Battery Backup:

Battery backup will operate the LED Lamp for 90 minutes if power fails. Wired for 120V-277V.

Performance

Lifespan:

100,000-Hour LED lifespan based on IESlm-80 results and TM-21 calculations

Construction

Cold Weather Starting:

The minimum starting temperature is 32°F/0°C

Maximum Ambient Temperature:

Suitable for use in up to 104°F (40°C)

Housing:

Sheet metal and extruded aluminum

Reflector:

Polyethylene Terephthalate (PET)

Lens:

Frosted polycarbonate lens

Finish:

Formulated for high durability and long-lasting color

Green Technology:

Mercury and UV free. RoHS-compliant components.

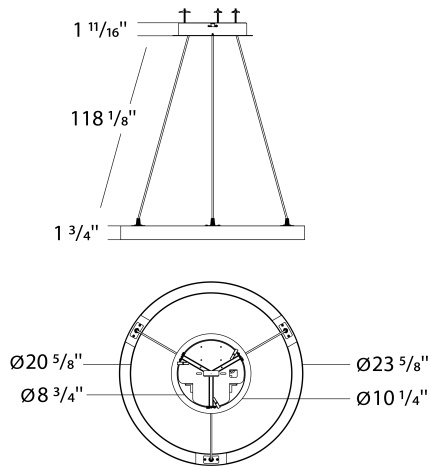
Technical Specifications (continued)

Other

5-Year Limited Warranty:

The RAB 5-year, limited warranty covers light output, driver performance and paint finish. RAB's warranty is subject to all terms and conditions found at rablighting.com/warranty.

Dimensions



Features

- 100,000-Hour LED lifespan
- 0-10V dimming
- 5-Year, limited warranty

Ordering Matrix

Family	Size/Wattage	Color Temp	Distribution	Finish	Driver	Battery Backup
BRG	2			B		/E
	2 = 2 ft diameter, 40/28/24/20/12W 3 = 3 ft diameter, 60/40/36/30/18W 4 = 4 ft diameter, 80/56/48/40/24W 32 = 2 ft + 3 ft, 100/70/60/50/30W 42 = 2 ft + 4 ft, 120/84/72/60/36W 43 = 3 ft + 4 ft, 140/98/84/70/42W 432 = 2 ft + 3 ft + 4 ft, 180/126/108/90/54W	Blank = 3000/3500/4000K CCT Adjustable	Blank = Downlight	W = White S = Silver B = Black	Blank = 120-277V, 0-10V Dimming	Blank = None /E = Battery Backup