



Color: Silver

Weight: 8.1 lbs

<b>Project:</b>	<b>Type:</b>
<b>Prepared By:</b>	<b>Date:</b>

Driver Info		LED Info	
Type	Constant Current	Watts	40/28/24/20/12W
120V	0.34A/0.23A/0.21A/0.17A/0.10A	Color Temp	3000/3500/4000K
208V	0.20A/0.15A/0.14A/0.12A/0.08A	Color Accuracy	92-93 CRI
240V	0.17A/0.13A/0.12A/0.10A/0.07A	L70 Lifespan	100,000 Hours
277V	0.16A/0.11A/0.10A/0.09A/0.06A	Lumens	1489-5573 lm
Input Watts	10.9-41.1W	Efficacy	132.2-145.2 lm/W

**Technical Specifications**

**Field Adjustability**

**Field Adjustable:**

Field Adjustable Light Output:  
40/28/24/20/12W (factory default 40W)  
Color Temperature Selectable:  
3000K, 3500K and 4000K (factory default 3500K)

**Compliance**

**UL Listed:**

Suitable for dry/damp locations

**IESNA LM-79 & LM-80 Testing:**

RAB LED luminaires and LED components have been tested by an independent laboratory in accordance with IESNA LM-79 and LM-80.

**IP Rating:**

IP20

**LED Characteristics**

**LEDs:**

Long-life, high-efficiency, surface-mount LEDs

**Color Uniformity:**

RAB's range of Correlated Color Temperature follows the guidelines of the American National Standard for Specifications for the Chromaticity of Solid State Lighting (SSL) Products, ANSI C78.377-2017.

**Electrical**

**Driver:**

Constant Current, Class 2, 120-277V 50/60 Hz:  
40W: 120V: 0.34A, 208V: 0.20A, 240V: 0.17A, 277V: 0.15A  
28W: 120V: 0.24A, 208V: 0.13A, 240V: 0.13A, 277V: 0.11A  
24W: 120V: 0.20A, 208V: 0.12A, 240V: 0.11A, 277V: 0.10A  
20W: 120V: 0.17A, 208V: 0.10A, 240V: 0.09A, 277V: 0.09A  
12W: 120V: 0.10A, 208V: 0.07A, 240V: 0.06A, 277V: 0.06A

**Dimming Driver:**

Driver includes dimming control wiring for 0-10V dimming systems. Requires separate 0-10V DC dimming circuit. Dims down to 10%.

**Aux Power Supply:**

Yes

**Dim to Off:**

Yes

**Surge Protection:**

1 kV L-L 2kV L/N-G

**Performance**

**Lifespan:**

100,000-Hour LED lifespan based on IESlm-80 results and TM-21 calculations

**Construction**

**Cold Weather Starting:**

The minimum starting temperature is -4°F (-20°C)

**Maximum Ambient Temperature:**

Suitable for use in up to 104°F (40°C)

**Housing:**

Sheet metal and extruded aluminum

**Reflector:**

Polyethylene Terephthalate (PET)

**Lens:**

Frosted polycarbonate lens

**Finish:**

Formulated for high durability and long-lasting color

**Green Technology:**

Mercury and UV free. RoHS-compliant components.

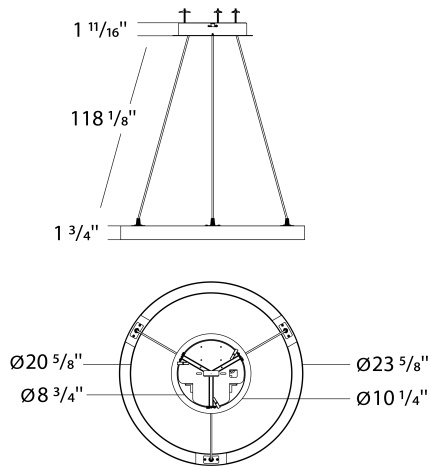
Technical Specifications (continued)

Other

5-Year Limited Warranty:

The RAB 5-year, limited warranty covers light output, driver performance and paint finish. RAB's warranty is subject to all terms and conditions found at [rablighting.com/warranty](http://rablighting.com/warranty).

Dimensions



Features

- 100,000-Hour LED lifespan
- 0-10V dimming
- 5-Year, limited warranty

Ordering Matrix

Family	Size/Wattage	Color Temp	Distribution	Finish	Driver	Battery Backup
BRG	2			S		
	2 = 2 ft diameter, 40/28/24/20/12W 3 = 3 ft diameter, 60/40/36/30/18W 4 = 4 ft diameter, 80/56/48/40/24W 32 = 2 ft + 3 ft, 100/70/60/50/30W 42 = 2 ft + 4 ft, 120/84/72/60/36W 43 = 3 ft + 4 ft, 140/98/84/70/42W 432 = 2 ft + 3 ft + 4 ft, 180/126/108/90/54W	Blank = 3000/3500/4000K CCT Adjustable	Blank = Downlight	W = White S = Silver B = Black	Blank = 120-277V, 0-10V Dimming	Blank = None /E = Battery Backup