



Color: White

Weight: 8.6 lbs

Project:

Type:

Prepared By:

Date:

Driver Info

Type	Constant Current
120V	0.34A
208V	0.19A
240V	0.17A
277V	0.15A
Input Watts	39-40.9W

LED Info

Watts	40W
Color Temp	3000/3500/4000K
Color Accuracy	92-93 CRI
L70 Lifespan	100,000 Hours
Lumens	4991-5452 lm
Efficacy	124.5-138 lm/W

Technical Specifications**Field Adjustability****Field Adjustable:**Field Adjustable Light Output:
40W

5 Power Preset:

100%/0% (Downlight Only)

70%/30%

60%/40%

50%/50%

0%/100% (Uplight Only)

Color Temperature Selectable:

3000K, 3500K and 4000K (factory default 3500K)

Compliance**UL Listed:**

Suitable for dry/damp locations

IESNA LM-79 & LM-80 Testing:

RAB LED luminaires and LED components have been tested by an independent laboratory in accordance with IESNA LM-79 and LM-80.

IP Rating:

IP20

LED Characteristics**LEDs:**

Long-life, high-efficacy, surface-mount LEDs

Color Uniformity:

RAB's range of Correlated Color Temperature follows the guidelines of the American National Standard for Specifications for the Chromaticity of Solid State Lighting (SSL) Products, ANSI C78.377-2017.

Electrical**Dimming Driver:**

Driver includes dimming control wiring for 0-10V dimming systems. Requires separate 0-10V DC dimming circuit. Dims down to 10%.

Aux Power Supply:

Yes

Dim to Off:

Yes

Surge Protection:

1 kV L-L 2kV L/N-G

Battery Backup:

Battery backup will operate the LED Lamp for 90 minutes if power fails. Wired for 120V-277V.

Performance**Lifespan:**

100,000-Hour LED lifespan based on IESlm-80 results and TM-21 calculations

Construction**Cold Weather Starting:**

The minimum starting temperature is 32°F/0°C

Maximum Ambient Temperature:

Suitable for use in up to 104°F (40°C)

Housing:

Sheet metal and extruded aluminum

Reflector:

Polyethylene Terephthalate (PET)

Lens:

Frosted polycarbonate lens

Finish:

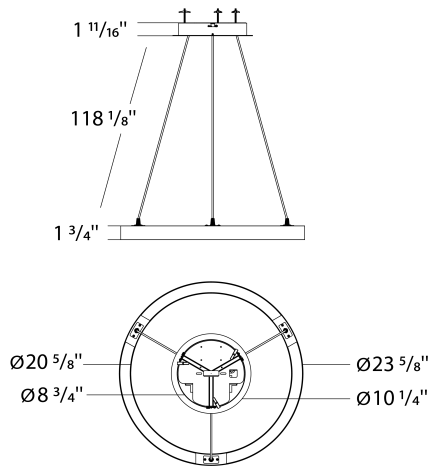
Formulated for high durability and long-lasting color

Green Technology:

Mercury and UV free. RoHS-compliant components.

Other**5-Year Limited Warranty:**The RAB 5-year, limited warranty covers light output, driver performance and paint finish. RAB's warranty is subject to all terms and conditions found at rablighting.com/warranty.

Dimensions



Features

- 100,000-Hour LED lifespan
- 0-10V dimming
- 5-Year, limited warranty

Ordering Matrix

Family	Size/Wattage	Color Temp	Distribution	Finish	Driver	Battery Backup
BRG	2		U	W		/E
	2 = 2 ft diameter, 40W 3 = 3 ft diameter, 60W 4 = 4 ft diameter, 80W 32 = 2 ft + 3 ft, 100W 42 = 2 ft + 4 ft, 120W 43 = 3 ft + 4 ft, 140W 432 = 2 ft + 3 ft + 4 ft, 180W	Blank = 3000/3500/4000K CCT Adjustable	U = Uplight/Dowlight	W = White S = Silver B = Black	Blank = 120-277V, 0-10V Dimming	Blank = None /E = Battery Backup