



Color: Bronze

Weight: 2.5 lbs

<b>Project:</b>	<b>Type:</b>
<b>Prepared By:</b>	<b>Date:</b>

Driver Info		LED Info	
Type	Constant Current	Watts	10/8/06W
120V	0.1A/0.07A/0.05A	Color Temp	3000K/4000K/5000K
208V	0.05A/0.04A/0.03A	Color Accuracy	82-84 CRI
240V	0.04A/0.04A/0.03A	L70 Lifespan	100,000 Hours
277V	0.04A/0.03A/0.03A	Lumens	573-1,002 lm
Input Watts	5.82-10W	Efficacy	90.1-107.2 lm/W

## Technical Specifications

### Field Adjustability

#### Field Adjustable:

Field Adjustable Light Output:

10W/8W/6W (factory default 10W)

Color Temperature Selectable:

3000K, 4000K and 5000K (factory default 5000K)

On/Off Photocell (factory default "On")

### Performance

#### Lifespan:

100,000-Hour LED lifespan based on IES LM-80 results and TM-21 calculations

### LED Characteristics

#### LEDs:

Long-life, high-efficacy, discrete, surface-mount LEDs

### Electrical

#### Driver:

Constant Current, Class 1, 120-277V, 50/60 Hz:

10W: 120V: 0.10A, 208V: 0.05A, 240V: 0.04A, 277V: 0.4A

8W: 120V: 0.07A, 208V: 0.04A, 240V: 0.04A, 277V: 0.03A

6W: 120V: 0.05A, 208V: 0.03A, 240V: 0.03A, 277V: 0.03A

#### THD:

10W: 23.7% at 120V, 14.8% at 277V

8W: 25.9% at 120V, 15.6% at 277V

6W: 24.1% at 120V, 18.7% at 277V

#### Power Factor:

10W: 97% at 120V, 93.5% at 277V

8W: 96.3% at 120V, 91.0% at 277V

6W: 96.5% at 120V, 86.4% at 277V

#### Aux Power Supply:

No

#### Dim to Off:

No

#### Photocell:

120-277V selectable photocell that can be turned on and off.

#### Surge Protection:

2kV

### Construction

#### Cold Weather Starting:

The minimum starting temperature is -40°C (-40°F)

#### Ambient Temperature:

Suitable for use in up to 45°C (113°F)

#### Housing:

Die-cast aluminum

#### Lens:

Glass

#### Gaskets:

High-temperature silicone

#### Finish:

Formulated for high durability and long-lasting color

#### Green Technology:

Mercury and UV free. RoHS-compliant components.

### Compliance

#### UL Listed:

Suitable for wet locations

#### IESNA LM-79 & LM-80 Testing:

RAB LED luminaires and LED components have been tested by an independent laboratory in accordance with IESNA LM-79 and LM-80.

#### IP Rating:

Ingress protection rating of IP65 for dust and water

## Technical Specifications (continued)

### Installation

#### Mounting:

Wall mount

### Optical

#### BUG Rating:

10W: B0 U2 G1

8W: B0 U2 G1

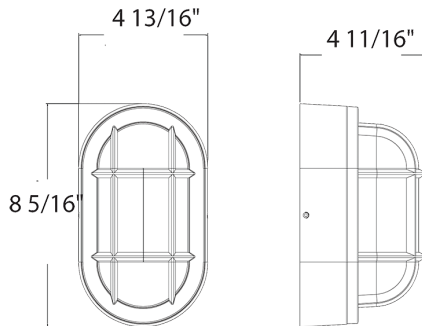
6W: B0 U2 G1

### Other

#### 5 Yr Limited Warranty:

The RAB 5-year, limited warranty covers light output, driver performance and paint finish. RAB's warranty is subject to all terms and conditions found at [rablighting.com/warranty](http://rablighting.com/warranty).

## Dimensions



## Features

100,000-hour LED Life

On/Off photocell

5-Year, limited warranty

## Ordering Matrix

Family	Wattage	Color Temp	Shape	Finish	Driver	Options
BULKH	10					
	10 = 10/8/6W 15 = 15/12/9W 20 = 20/16/12W	Blank = 3000/4000/5000K CCT Adjustable	Blank = Oval R = Round	Blank = Bronze W = White	Blank = 120-277V	Blank = On/Off Photocell