



Floodlight brackets for steel and wood poles.

Color: Galvanized

Weight: 9.0 lbs

Project:

Type:

Prepared By:

Date:

Technical Specifications

Construction

Finish:

Galvanized steel

EPA Maximum Capacity:

7.4

Bracket:

3/16" thick steel

Performance

Description:

Single Floodlight Bracket

Other

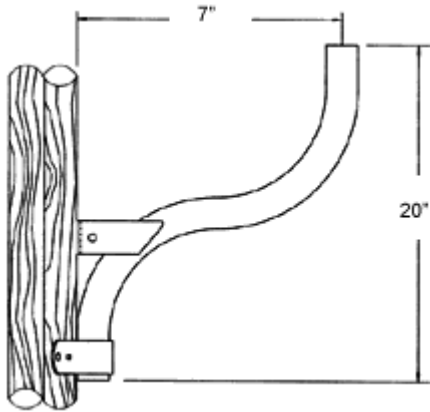
Maximum Weight:

105 lbs

Patents:

The designs of fixtures are protected under U.S. and international intellectual property laws.

Dimensions



Features

- Easy, secure floodlight mounting
- Double Reinforced weld joints