



Die cast round covers with one or three 1/2" holes. Fit 4" round boxes. Supplied with thick foam rubber gasket and two #10-24 stainless steel screws. 3 hole cover comes with one die cast 1/2" close-up plug.

Color: Bronze

Weight: 0.2 lbs

Project:

Type:

Prepared By:

Date:

## Technical Specifications

### Compliance

#### UL Listed:

Suitable for wet locations

### Construction

#### Covers:

Precision die cast aluminum round covers

#### Screws:

10-24 Brass Round Head Phillips/slotted

#### Gaskets:

1/8" thick closed cell silicone rubber for long lasting seal won't crumple or break

#### Hole Count:

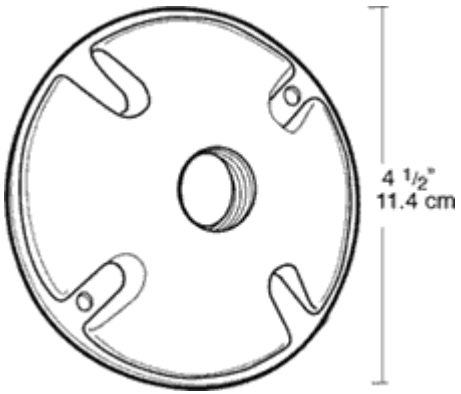
1 Hole

### Other

#### Replacement Plugs:

Available for round and rectangular covers and boxes

## Dimensions



## Features

- 1/8" thick weather seal gasket is closed cell silicone rubber for long lasting seal that won't break
- Stainless steel screws provided
- Die cast aluminum covers are color matched
- Close-up plugs allow Phillips or slotted screwdrivers for easy installation