



<b>Project:</b>	<b>Type:</b>
<b>Prepared By:</b>	<b>Date:</b>

Driver Info		LED Info	
Type	Constant Current	Watts	8W
120V	92	Color Temp	Field Adjustable
208V	N/A	Color Accuracy	N/A
240V	N/A	L70 Lifespan	60,000 Hours
277V	40	Lumens	660/768/865 lm
Input Watts	8/10/11W	Efficacy	81/75/77 lm/W

**Technical Specifications**

**Performance**

**Product Type:**

Commercial Downlight Direct Mount

**Lumens:**

650/750/850lm

**Efficacy:**

81/75/77lm/W

**Lifespan:**

60,000-Hour LED lifespan based on IES LM-80 results and TM-21 calculations

**LED Characteristics**

**Color Temperature:**

3000/3500/4000/5000K

**Electrical**

**Dimming Driver:**

Driver includes dimming control wiring for 0-10V dimming systems. Requires separate 0-10V DC dimming circuit. Dims down to 10%.

**THD:**

≤20%

**Power Factor:**

≥0.9

**Input Voltage:**

120-277V AC

**Operating Frequency:**

50/60Hz

**Operating Temperature:**

-30°C - 40°C

**Other**

**Warranty:**

RAB warrants that our LED products will be free from defects in materials and workmanship for a period of five (5) years from the date of delivery to the end user, including coverage of light output, color stability, driver performance and fixture finish. RAB's warranty is subject to all terms and conditions found at [rablighting.com/warranty](http://rablighting.com/warranty).

**Construction**

**Size:**

4"

**Housing Material:**

Metal

**Finish:**

White

**Trim Style:**

Smooth Trim

**Air Tight:**

Housing certified Air Tight as per ASTM E283

**Compliance**

**Listings:**

UL Listed, UL Classified

**Environment:**

Wet

**IC Rated:**

Suitable for direct contact with insulation

**T24 JA8 Compliant:**

Complies with Title 24 Appendix JA8

**Lawful for Sale in California:**

Yes

**RoHS:**

Mercury and UV free. RoHS-compliant components.

**FCC:**

Complies with Part 15B of the FCC Rules

**Certification Model Number:**

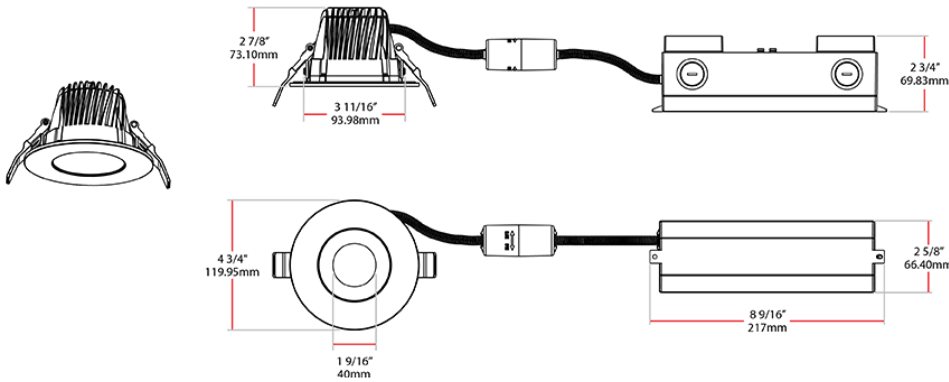
DLC0038(C4R8/10/119FAUNVW)

## Technical Specifications (continued)

### Trade Agreements Act Compliant:

This product is a product of Cambodia and a "designated country" end product that complies with the Trade Agreements Act

## Dimensions



## Ordering Matrix

Family	Size	Shape	Wattage	CRI/Color Temp	Driver	Finish
C	4	R	8/10/11	9FA	UNV	W
	3 = 3"	R = Round	5.5/7/8.5 = 5.5/7/8.5W	9FA = 90 CRI, CCT Adjustable	UNV = 120-277V	W = White
	4 = 4"		8/10/11 = 8/10/11W			M = Matte Silver
	6 = 6"		12/18/24 = 12/18/24W			
	8 = 8"		34/46/59 = 34/46/59W			