



Color: Matte silver

Weight: 2.3 lbs

Project:	Type:
Prepared By:	Date:

Driver Info		LED Info	
Type	Constant Current	Watts	12W
120V	200	Color Temp	Field Adjustable
208V	N/A	Color Accuracy	N/A
240V	N/A	L70 Lifespan	60,000 Hours
277V	88	Lumens	818/1220/1624 lm
Input Watts	12/18/24W	Efficacy	67/67/67 lm/W

Technical Specifications

Performance

Product Type:

Commercial Downlight Direct Mount

Lumens:

800/1,200/1,600lm

Efficacy:

67/67/67lm/W

Lifespan:

60,000-Hour LED lifespan based on IES LM-80 results and TM-21 calculations

LED Characteristics

Color Temperature:

3000/3500/4000/5000K

Electrical

Dimming Driver:

Driver includes dimming control wiring for 0-10V dimming systems. Requires separate 0-10V DC dimming circuit. Dims down to 10%.

THD:

≤20%

Power Factor:

≥0.9

Input Voltage:

120-277V AC

Operating Frequency:

50/60Hz

Operating Temperature:

-30°C - 40°C

Other

Warranty:

RAB warrants that our LED products will be free from defects in materials and workmanship for a period of five (5) years from the date of delivery to the end user, including coverage of light output, color stability, driver performance and fixture finish. RAB's warranty is subject to all terms and conditions found at rablighting.com/warranty.

Construction

Size:

6"

Housing Material:

Metal

Finish:

Matte Silver

Trim Style:

Smooth Trim

Air Tight:

Housing certified Air Tight as per ASTM E283

Compliance

Listings:

UL Listed, UL Classified

Environment:

Wet

T24 JA8 Compliant:

Complies with Title 24 Appendix JA8

Lawful for Sale in California:

Yes

RoHS:

Mercury and UV free. RoHS-compliant components.

FCC:

Complies with Part 15B of the FCC Rules

Certification Model Number:

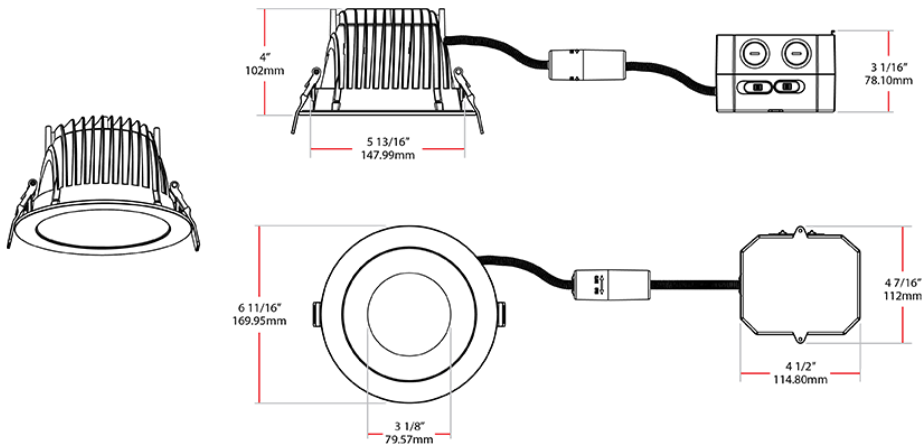
DLC0041(C6R12/18/249FAUNVM)

Technical Specifications (continued)

Trade Agreements Act Compliant:

This product is a product of Cambodia and a "designated country" end product that complies with the Trade Agreements Act

Dimensions



Ordering Matrix

Family	Size	Shape	Wattage	CRI/Color Temp	Driver	Finish
C	6	R	12/18/24	9FA	UNV	M
	3 = 3"	R = Round	5.5/7/8.5 = 5.5/7/8.5W	9FA = 90 CRI, CCT Adjustable	UNV = 120-277V	W = White
	4 = 4"		8/10/11 = 8/10/11W			M = Matte Silver
	6 = 6"		12/18/24 = 12/18/24W			
	8 = 8"		34/46/59 = 34/46/59W			