



| | |
|---------------------|--------------|
| Project: | Type: |
| Prepared By: | Date: |

| Driver Info | | LED Info | |
|-------------|------------------|----------------|------------------|
| Type | Constant Current | Watts | 22W |
| 120V | 190 | Color Temp | Field Adjustable |
| 208V | N/A | Color Accuracy | N/A |
| 240V | N/A | L70 Lifespan | 50,000 Hours |
| 277V | 90 | Lumens | 2,080 lm |
| Input Watts | 22W | Efficacy | 91 |

Technical Specifications

Performance

Product Type:

Commercial Downlight Direct Mount

Lumens:

2,000lm

Efficacy:

91lm/W

Lifespan:

50,000-Hour LED lifespan based on IES LM-80 results and TM-21 calculations

LED Characteristics

Color Accuracy (CRI):

90 CRI

Color Temperature:

3000/3500/4000/5000K

Electrical

Dimming Driver:

Driver includes dimming control wiring for 0-10V dimming systems. Requires separate 0-10V DC dimming circuit. Dims down to 10%.

THD:

≤20%

Power Factor:

≥0.9

Input Voltage:

120-277V AC

Operating Frequency:

50/60Hz

Operating Temperature:

-30°C - 40°C

Other

Warranty:

RAB warrants that our LED products will be free from defects in materials and workmanship for a period of five (5) years from the date of delivery to the end user, including coverage of light output, color stability, driver performance and fixture finish. RAB's warranty is subject to all terms and conditions found at rablighting.com/warranty.

Construction

Size:

8"

Shape:

Round

Housing Material:

Metal

Finish:

White

Trim Style:

Smooth Trim

Air Tight:

Housing certified Air Tight as per ASTM E283

Compliance

Listings:

UL Listed, UL Classified

Environment:

Wet

T24 JA8 Compliant:

Complies with Title 24 Appendix JA8

Lawful for Sale in California:

Yes

RoHS:

Mercury and UV free. RoHS-compliant components.

FCC:

Complies with Part 15B of the FCC Rules

Technical Specifications (continued)

Trade Agreements Act Compliant:

This product is a product of Cambodia and a "designated country" end product that complies with the Trade Agreements Act

Energy Star Approved:

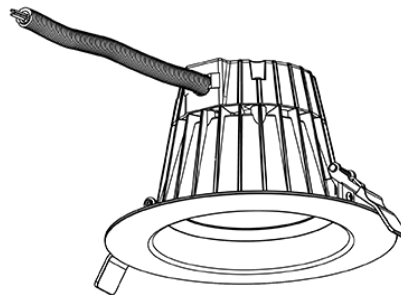
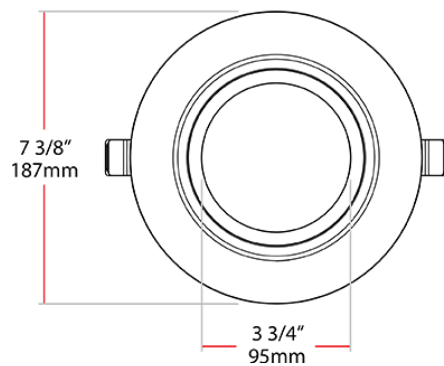
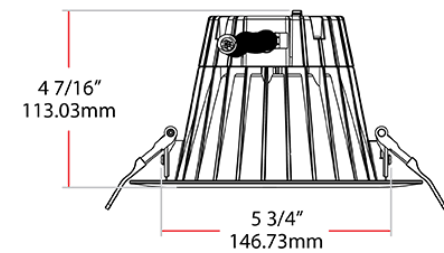
ENERGY STAR® Version 1.0 Certified

Certification Model Number:

DLC0048(C6R119FAUNVW)

\

Dimensions



Ordering Matrix

| Family | Size | Shape | Wattage | CRI/Color Temp | Driver | Finish |
|--------|------------------|-----------|--|------------------------------|----------------|-----------|
| C | 6 | R | 22 | 9FA | UNV | W |
| | 6 = 6" 8 = 8" | R = Round | 11 = 11W 18 = 18W 22 = 22W 33 = 33W 55 = 55W | 9FA = 90 CRI, CCT Adjustable | UNV = 120-277V | W = White |

4" only available in 12S
6" only available in 16S or 24S
8" only available in 22S or 33S
10" only available in 43S