



Project:	Type:
Prepared By:	Date:

Driver Info		LED Info	
Type	Constant Current	Watts	55W
120V	470	Color Temp	Field Adjustable
208V	N/A	Color Accuracy	N/A
240V	N/A	L70 Lifespan	50,000 Hours
277V	210	Lumens	5,080 lm
Input Watts	55W	Efficacy	91

Technical Specifications		
<p>Performance</p> <p>Product Type: Commercial Downlight Direct Mount</p> <p>Lumens: 5,000lm</p> <p>Efficacy: 91lm/W</p> <p>Lifespan: 50,000-Hour LED lifespan based on IES LM-80 results and TM-21 calculations</p> <p>LED Characteristics</p> <p>Color Accuracy (CRI): 90 CRI</p> <p>Color Temperature: 3000/3500/4000/5000K</p> <p>Electrical</p> <p>Dimming Driver: Driver includes dimming control wiring for 0-10V dimming systems. Requires separate 0-10V DC dimming circuit. Dims down to 10%.</p> <p>THD: ≤20%</p>	<p>Power Factor: ≥0.9</p> <p>Input Voltage: 120-277V AC</p> <p>Operating Frequency: 50/60Hz</p> <p>Operating Temperature: -30°C - 40°C</p> <p>Other</p> <p>Warranty: RAB warrants that our LED products will be free from defects in materials and workmanship for a period of five (5) years from the date of delivery to the end user, including coverage of light output, color stability, driver performance and fixture finish. RAB's warranty is subject to all terms and conditions found at rablighting.com/warranty.</p> <p>Construction</p> <p>Size: 8"</p> <p>Shape: Round</p>	<p>Housing Material: Metal</p> <p>Finish: White</p> <p>Trim Style: Smooth Trim</p> <p>Air Tight: Housing certified Air Tight as per ASTM E283</p> <p>Compliance</p> <p>Listings: UL Listed, UL Classified</p> <p>Environment: Wet</p> <p>T24 JA8 Compliant: Complies with Title 24 Appendix JA8</p> <p>Lawful for Sale in California: Yes</p> <p>RoHS: Mercury and UV free. RoHS-compliant components.</p> <p>FCC: Complies with Part 15B of the FCC Rules</p>

Technical Specifications (continued)

Trade Agreements Act Compliant:

This product is a product of Cambodia and a "designated country" end product that complies with the Trade Agreements Act

Energy Star Approved:

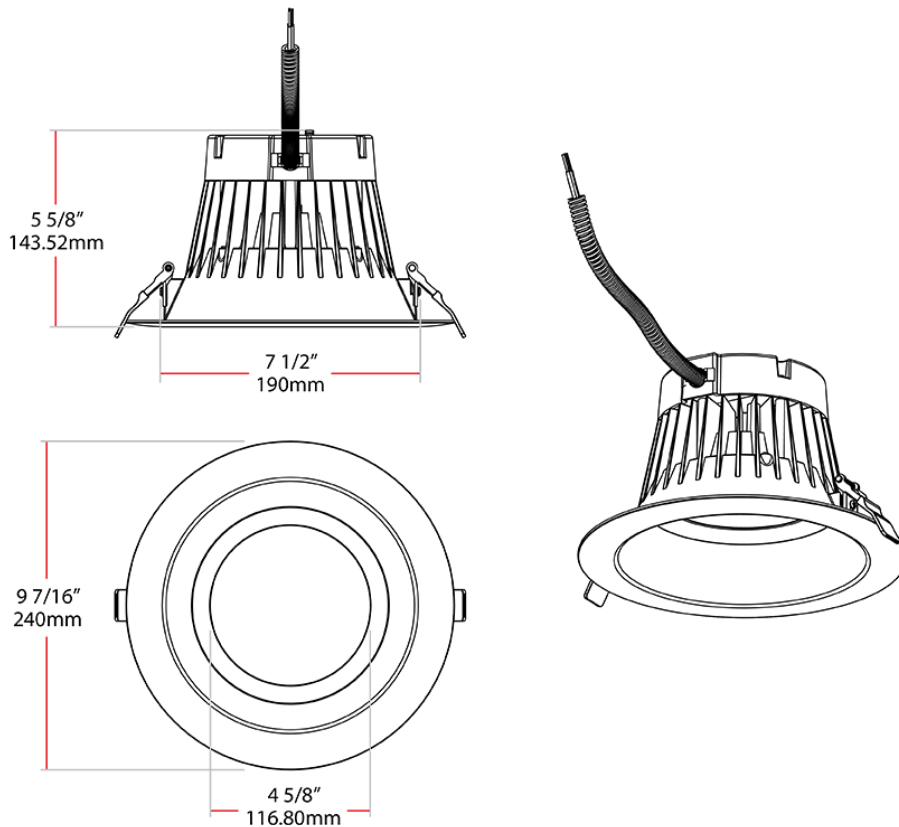
ENERGY STAR® Version 1.0 Certified

Certification Model Number:

DLC0050(C8R229FAUNVW)

\ _____

Dimensions



Ordering Matrix

Family	Size	Shape	Wattage	CRI/Color Temp	Driver	Finish
C	8	R	55	9FA	UNV	W
	6 = 6" 8 = 8"	R = Round	11 = 11W 18 = 18W 22 = 22W 33 = 33W 55 = 55W	9FA = 90 CRI, CCT Adjustable	UNV = 120-277V	W = White

4" only available in 12S
6" only available in 16S or 24S
8" only available in 22S or 33S
10" only available in 43S