

Color: White

Weight: 4.1 lbs

<b>Project:</b>	<b>Type:</b>
<b>Prepared By:</b>	<b>Date:</b>

Driver Info		LED Info	
Type	Constant Current	Watts	82W
120V	700	Color Temp	5000K
208V	N/A	Color Accuracy	80 CRI
240V	N/A	L70 Lifespan	50,000 Hours
277V	300	Lumens	8,120 lm
Input Watts	82W	Efficacy	95

## Technical Specifications

### Performance

#### Product Type:

Commercial Downlight Direct Mount

#### Lumens:

8,100lm

#### Efficacy:

95lm/W

#### Lifespan:

50,000-Hour LED lifespan based on IES LM-80 results and TM-21 calculations

### LED Characteristics

#### Color Accuracy (CRI):

80

#### Color Temperature:

5000K

### Electrical

#### Dimming Driver:

Driver includes dimming control wiring for 0-10V dimming systems. Requires separate 0-10V DC dimming circuit. Dims down to 10%.

#### THD:

≤20%

#### Power Factor:

≥0.9

#### Input Voltage:

120-277V AC

#### Operating Frequency:

50/60Hz

#### Operating Temperature:

-30°C - 40°C

### Other

#### Warranty:

RAB warrants that our LED products will be free from defects in materials and workmanship for a period of five (5) years from the date of delivery to the end user, including coverage of light output, color stability, driver performance and fixture finish. RAB's warranty is subject to all terms and conditions found at [rablighting.com/warranty](http://rablighting.com/warranty).

### Construction

#### Size:

8"

#### Shape:

Round

#### Housing Material:

Metal

#### Finish:

White

#### Trim Style:

Smooth Trim

#### Air Tight:

Housing certified Air Tight as per ASTM E283

### Compliance

#### Trade Agreements Act Compliant:

This product is a product of Cambodia and a "designated country" end product that complies with the Trade Agreements Act

#### Listings:

UL Listed, UL Classified

#### Environment:

Wet

#### RoHS:

Mercury and UV free. RoHS-compliant components.

#### FCC:

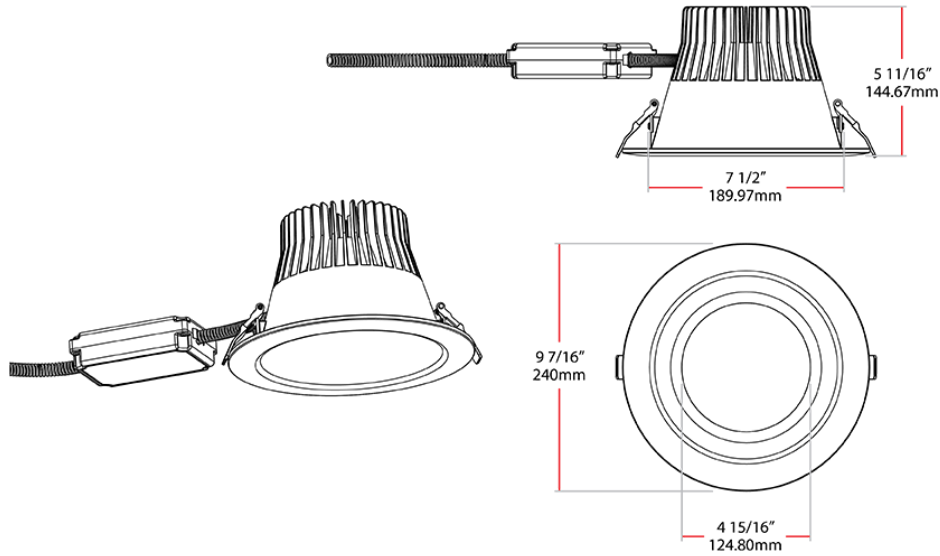
Complies with Part 15B of the FCC Rules

## Technical Specifications (continued)

### Certification Model Number:

DLC0047(C8R82850UNVW)

## Dimensions



## Ordering Matrix

Family	Size	Shape	Wattage	CRI/Color Temp	Driver	Finish
C	8	R	82	850	UNV	W
8 = 8"		R = Round	82 = 82W	850 = 80 CRI, 5000K 840 = 80 CRI, 4000K 835 = 80 CRI, 3500K 830 = 80 CRI, 3000K	UNV = 120-277V	W = White