

SPECIFICATION SHEET

PRODUCT # : CL-316B-GM

• Well Lights

• Cast Brass Face Plate

Fixture Specifications:

Housing: Injected molded composite for high UV stability.

Face Plate: Diecast brass, fitted to housing with silicone "O" ring gasket.

Finish: **GM- Gun Metal** Natural toning process. AB finish will vary due to artistic process. Also available in **AB- Antique Bronze**.

Lens: Clear and heat resistant flat glass.

Socket: Top grade adjustable ceramic bi-pin socket with retention clip and teflon-jacketed wire lead.

Lamp: 12V, MR-16, 50W max. Available in LED (3.5W & 5W) or without lamp. See the Lamp Guide below for more information.

Gasket: Silicone "O" ring seals faceplate to housing

Wiring:

Fixture is prewired with a 3ft 18-2 SJT-W direct burial cord. Wire connector sold separately. Silicone filled wire nut (**CX-854**) or quick-locking wire connector (**CX-LOC**) are available from Corona Lighting.

Mounting:

In-ground direct burial or concrete encasement. For best results when mounting in concrete, use the concrete pour kit (**CX-237**)

Electrical Notes:

A remote 12V transformer is required. Options are available from Corona Lighting. Voltage range for LED lamps are 9V-17V. Proper grease/lubricant is suggested on threaded parts during installation process.

Warranty:

Limited lifetime warranty on fixture Brass faceplate and ten (10) years on housing against manufacturer's defects.



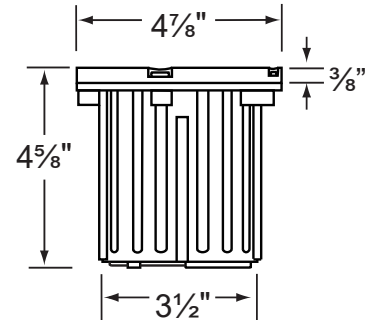
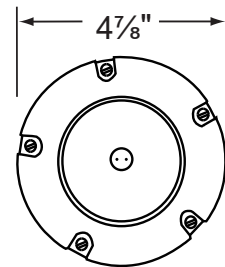
Drive-over rated for
3,000 lbs



Fixture socket
tilts for ± 25°



3.5W and 5W



AVAILABLE LED LAMPS (Corona LED lamps have a five (5) year limited warranty against manufacturer's defects)

| LAMP NUMBER | WATTS | BEAM | | COLOR & TEMP. | RATED HOURS | HALOGEN EQUIVALENT |
|-------------------|-------|----------------|-------|---------------|-------------|--------------------|
| | | SPREAD | LUMEN | | | |
| L-ED16-3W-SP | 3.5 | 15° Spot | 270 | 2700K | 50,000 | 25 Watt |
| L-ED16-3W-FL | 3.5 | 45° Flood | 270 | 2700K | 50,000 | 25 Watt |
| L-ED16-3W-WF | 3.5 | 60° Wide Flood | 270 | 2700K | 50,000 | 25 Watt |
| L-ED16-5W-SP | 5 | 15° Spot | 350 | 2700K | 50,000 | 40 Watt |
| L-ED16-5W-FL | 5 | 45° Flood | 350 | 2700K | 50,000 | 40 Watt |
| L-ED16-5W-WF | 5 | 60° Wide Flood | 350 | 2700K | 50,000 | 40 Watt |
| L-ED16-COB5W-SP | 5 | 15° Spot | 450 | 2700K | 50,000 | 50 Watt |
| L-ED16-COB5W-FL | 5 | 38° Flood | 450 | 2700K | 50,000 | 50 Watt |
| L-ED16-COB5W-WF | 5 | 60° Wide Flood | 450 | 2700K | 50,000 | 50 Watt |
| L-ED16-COB5W-SP3K | 5 | 15° Spot | 470 | 3000K | 50,000 | 50 Watt |
| L-ED16-COB5W-FL3K | 5 | 38° Flood | 470 | 3000K | 50,000 | 50 Watt |
| L-ED16-COB5W-WF3K | 5 | 60° Wide Flood | 470 | 3000K | 50,000 | 50 Watt |

■ Single color MR-16 LED available in AMBER, BLUE, GREEN, PURPLE, RED and VIOLET

JOB INFORMATION

TYPE: _____ DATE: _____

JOB NAME & ADDRESS:

PRODUCT #:

TOTAL QUANTITY:

LAMP TYPE & WATTAGE:

TRANSFORMER:

CONTRACTOR:

SPECIFIER:

• When ordering LED lamp with a fixture your part number should follow the format below:

• CL - product # - lamp - wattage - lamp angle
CL - 316B-GM - L-ED16 - 5W - FL

Example: CL-316B-GM-L-ED16-5W-FL

• Corona Lighting reserves the right to make any change and/or improvement to the design and construction of this fixture without further notification.

ACCESSORIES SHEET

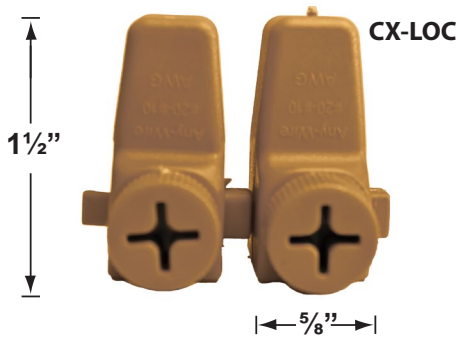
PRODUCT # : CL-316B-GM

• Well Lights

• Cast Brass Faceplate

Cable Connectors

- CX-854 Direct Burial Silicone Filled Wire Nut, **Tan**
- CX-858 Speedy Cable Connector, Supply Cable up to 10-2, **Black**
- CX-839 Universal cable connector, Supply cable up to 8-2, one/Pack **Black**
- CX-LOC Quick-Locking Silicone Filled Wire Connector, 25 Sets (50 per Pack)



Special Lenses & Honeycomb Louvers

- CX-238 MR-16 Snap-on holder, **Silver Plated**
- CX-239 MR-16 honeycomb louver, **Black**
- CX-240-AM MR-16 color lens, **Amber**
- CX-240-BL MR-16 color lens, **Blue**
- CX-240-GR MR-16 color lens, **Green**
- CX-240-RD MR-16 color lens, **Red**
- CX-240-YL MR-16 color lens, **Yellow**
- CX-241 MR-16 lens, **Linear Spread**
- CX-242 MR-16 lens, **Frosted**
- CX-243 MR-16 lens, **Prismatic**

For MR-16 Lenses and Louvers, you will need the CX-238



Mounting Tools

- CX-237 Concrete Pour Kit

