

SPECIFICATION SHEET

PRODUCT # : CL-350

• Step Light

• Steel

Fixture Specifications:

Housing: White powder coated steel mountbox with S.C Bayonet socket.

Faceplate: Stamped steel available in **CU**- Copper plated, **PB**-Polish Brass Plated, **SI**-Silver Plated, polyester UV powder coated in **BK**-Black, **BZ**-Bronze, **WH**-White, all with silicone gasket.

Lens: Clear polycarbonate lens.
Lenses are sealed and secured to faceplates

Socket: Top grade fixed SC bayonet socket

Lamp: 12V, S.C. Bayonet, 18W max.
Available in LED (2W & 2.5W) or without lamp.
See the Lamp Guide below for more information.

Wiring: Fixture comes prewired with a 12 inch direct burial cord. Wire connector sold separately. Universal connector (**CX-839**), silicone filled wire nut (**CX-854**) or quick locking wire connector (**CX-LOC**) are available from Corona Lighting.

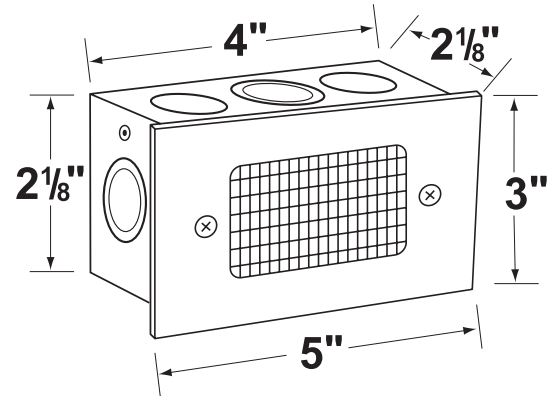
Mounting: Recessed box to mount into concrete, brick or Masonry. Outdoor use only.

Electrical Notes: A remote 12V transformer is required. Options are available from Corona Lighting. Voltage range for LED lamps are 8V-21V.

Warranty: One year warranty on fixture housing and faceplate against manufacturer's defects.



BK- Black finish shown



AVAILABLE LED LAMPS (Corona LED lamps have a five (5) year limited warranty against manufacturer's defects)

| LAMP NUMBER | WATTS | BEAM | | COLOR & TEMP. | RATED HOURS | HALOGEN EQUIVALENT |
|----------------|-------|--------|-------|---------------|-------------|--------------------|
| | | SPREAD | LUMEN | | | |
| L-EDBA-2W | 2 | 360° | 200 | 2700K | 25,000 | 20 Watt |
| L-EDBA-2.5W | 2.5 | 180° | 240 | 2700K | 25,000 | 35 Watt |
| L-EDBA-2W-3K | 2 | 360° | 210 | 3000K | 25,000 | 20 Watt |
| L-EDBA-2.5W-3K | 2.5 | 180° | 250 | 3000K | 25,000 | 35 Watt |
| L-EDBA-AM* | 2 | 360° | 170 | 2000K | 25,000 | 20 Watt |

*AM- Amber color

For more additional Lamps, and accessories visit Coronalighting.com

JOB INFORMATION

TYPE: DATE:

JOB NAME & ADDRESS:

PRODUCT #:

TOTAL QUANTITY:

LAMP TYPE & WATTAGE:

TRANSFORMER:

CONTRACTOR:

SPECIFIER:

• If you are ordering LED lamps you should follow the format below:

• CL - **product #** - **color** - **lamp** - **wattage**
CL - 350 - BK - L-EDBA - 2W-3K

Example: CL-350-BK-L-EDBA-2W-3K

• Corona Lighting reserves the right to make any change and/or improvement to the design and construction of this fixture without further notification.

ACCESSORIES SHEET

PRODUCT # : CL-350

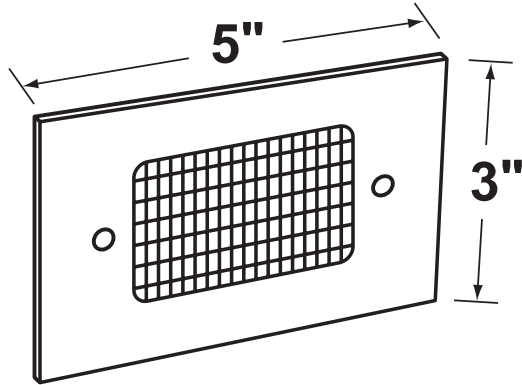
• Step Light

• Steel

Faceplates

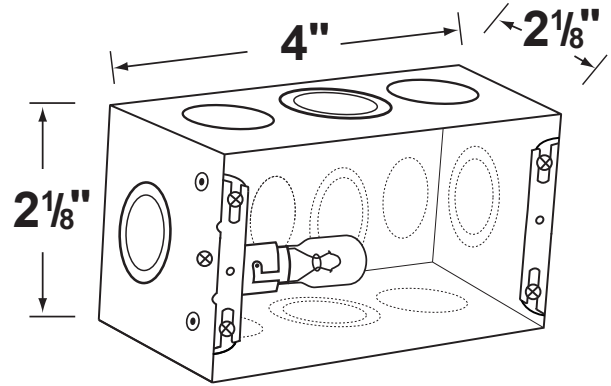
CX-866 Aluminum Lensed Faceplate with Clear Acrylic Lens.

Finishes: **BK**- Black, **BZ**- Bronze, or **WH**- White



Mount Box

CX-731 Steel Back Box **No Lamp**



Lamp not included. Shown for demonstration.

Cable Connectors

- CX-854 Direct Burial Silicone Filled Wire Nut, **Tan**
- CX-858 Speedy Cable Connector, Supply Cable up to 10-2, **Black**
- CX-839 Universal cable connector, Supply cable up to 8-2, one/Pack **Black**
- CX-LOC Quick-Locking Silicone Filled Wire Connector, 25 Sets (50 per Pack)

