

# SPECIFICATION SHEET

## PRODUCT # : CL-362C-RC

• Step Light

• Steel & Copper

### Fixture Specifications:

**Housing:** White powder coated steel mount box with S.C. Bayonet Socket

**Faceplate:** Stamped copper available in **RC**- Raw Copper. RC will age gradually over time. Also available in **AB, BK, BZ, GM, OC, RT, SI, WH**

**Lens:** High impact white polycarbonate lens. Lens is secured and sealed to faceplate.

**Socket:** Top grade, fixed S.C. Bayonet socket.

**Lamp:** 12V, S.C. Bayonet, 18W max. Available in LED (2W & 2.5W) or without lamp. See the Lamp Guide below for more information.

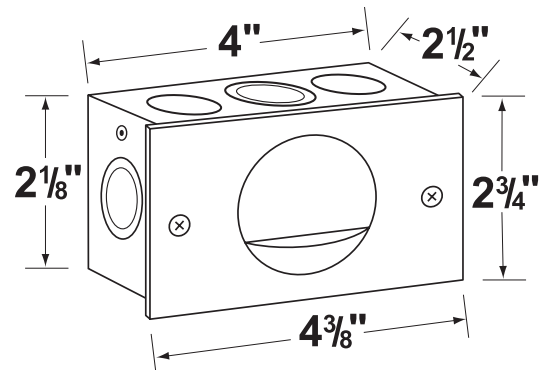
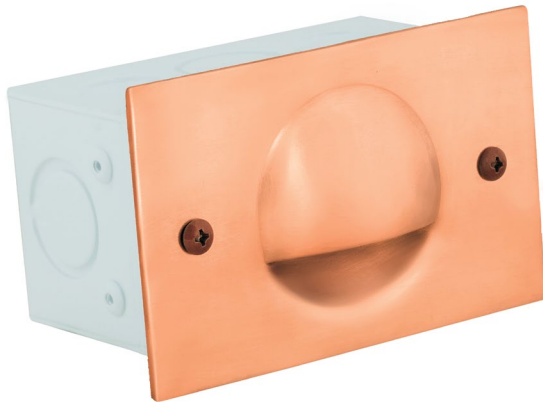
**Gasket:** Silicone gasket providing water-tight protection.

**Wiring:** Fixture comes prewired with a 12 inch direct burialcord. Wire connector sold separately. Universal connector (**CX-839**), silicone filled wire nut (**CX-854**) or quick locking wire connector (**CX-LOC**) are available from Corona Lighting.

**Mounting:** Recessed box to mount into concrete, brick or masonry. Outdoor use only.

**Electrical Notes:** A remote 12V transformer is required. Options are available from Corona Lighting. Voltage range for LED lamps are 8V-21V.

**Warranty:** **AB, GM, OC, SI, and RC**- Limited lifetime warranty on fixture housing and faceplate against manufacturer's defects. **BK, BZ, RT and WH**- Five year warranty on fixture housing and faceplate against manufacturer's defects.



### AVAILABLE LED LAMPS (Corona LED lamps have a five (5) year limited warranty against manufacturer's defects)

LAMP NUMBER	WATTS	BEAM		COLOR & TEMP.	RATED HOURS	HALOGEN EQUIVALENT
		SPREAD	LUMEN			
L-EDBA-2W	2	360°	200	2700K	25,000	20 Watt
L-EDBA-2.5W	2.5	180°	240	2700K	25,000	35 Watt
L-EDBA-2W-3K	2	360°	210	3000K	25,000	20 Watt
L-EDBA-2.5W-3K	2.5	180°	250	3000K	25,000	35 Watt
L-EDBA-AM*	2	360°	170	2000K	25,000	20 Watt

\*AM- Amber color  
For more additional Lamps, and accessories visit [Coronalighting.com](http://Coronalighting.com)

### JOB INFORMATION

TYPE: \_\_\_\_\_ DATE: \_\_\_\_\_

JOB NAME & ADDRESS: \_\_\_\_\_

PRODUCT #: \_\_\_\_\_

TOTAL QUANTITY: \_\_\_\_\_

LAMP TYPE & WATTAGE: \_\_\_\_\_

TRANSFORMER: \_\_\_\_\_

CONTRACTOR: \_\_\_\_\_

SPECIFIER: \_\_\_\_\_

• If you are ordering LED lamps you should follow the format below:

• **CL** - **product #** - **color** - **lamp** - **wattage**  
CL - 362C - RC - L-EDBA - 2W-3K

Example: CL-362C-RC-L-EDBA-2W-3K

• Corona Lighting reserves the right to make any change and/or improvement to the design and construction of this fixture without further notification.

## PRODUCT # : CL-362C-RC

• Step Light

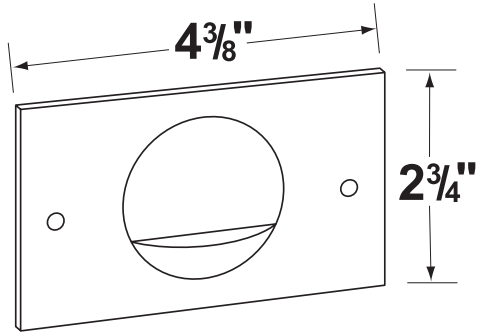
• Steel & Copper

### Faceplates

CX-874B-SI Copper, eyelid faceplate with white acrylic lens

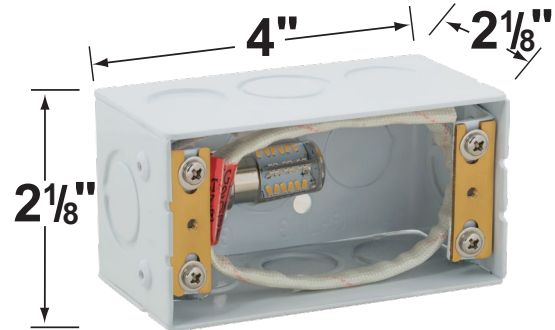
Finish: RC- Raw Copper.

**BK, BZ, RT, WH, AB, GM, OC, and SI** are also available.



### Mount Box

CX-731 Steel Mount Box, **No Lamp**



Lamp not included. Shown for demonstration.

### Cable Connectors

- CX-854 Direct Burial Silicone Filled Wire Nut, **Tan**
- CX-858 Speedy Cable Connector, Supply Cable up to 10-2, **Black**
- CX-839 Universal cable connector, Supply cable up to 8-2, one/Pack **Black**
- CX-LOC Quick-Locking Silicone Filled Wire Connector, 25 Sets (50 per Pack)

