

# SPECIFICATION SHEET

## PRODUCT # : CL-364B-AB

•Step Lights

•Cast Brass

### Fixture Specifications:

**Housing:** Heavy duty corrosion resistant cast brass.

**Faceplate:** Die cast brass, fitted to housing with a silicone gasket.

**Finish:** **AB- Antique Bronze.** Natural toning process. AB finish will vary due to artistic process. Also available in **GM- Gun Metal**

**Lens:** Frosted and heat resistant glass.

**Socket:** S.C. Bayonet socket, attached to aluminum reflector.

**Lamp:** 12V, S.C. Bayonet, 27W max. Available in LED (2W & 2.5W) or without lamp. See the Lamp Guide below for more information.

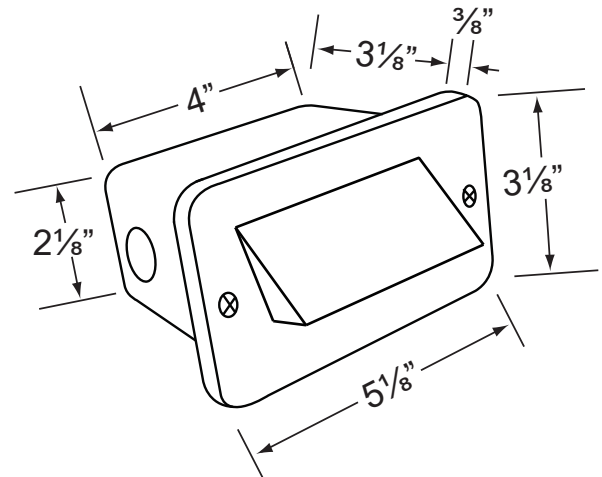
**Gasket:** Silicone gasket, seals faceplate to housing. Providing weather tight protection.

**Wiring:** Fixture is prewired with a 3-ft 18-2 SJT-W direct burial cord. Wire connector sold separately. Silicone filled wire nut (**CX-854**) or quick locking wire connector (**CX-LOC**) are available from Corona Lighting.

**Mounting:** Recessed mount back box. Best used in concrete, brick and other masonry, with 3x 1/2" NPT inlets.

**Electrical Notes:** A remote 12V transformer is required. Options are available from Corona Lighting. Voltage range for LED lamps are 8V-21V.

**Warranty:** Limited lifetime warranty on fixture housing and faceplate against manufacturer's defects.



**2W and 2.5W**

### AVAILABLE LED LAMPS (Corona LED lamps have a five (5) year limited warranty against manufacturer's defects)

LAMP NUMBER	WATTS	BEAM		COLOR & TEMP.	RATED HOURS	HALOGEN EQUIVALENT
		SPREAD	LUMEN			
L-EDBA-2W	2	360°	200	2700K	25,000	20 Watt
L-EDBA-2.5W	2.5	180°	240	2700K	25,000	35 Watt
L-EDBA-2W-3K	2	360°	210	3000K	25,000	20 Watt
L-EDBA-2.5W-3K	2.5	180°	250	3000K	25,000	35 Watt
L-EDBA-AM*	2	360°	170	2000K	25,000	20 Watt

\*AM- Amber color

For more additional Lamps, and accessories visit [Coronalighting.com](http://Coronalighting.com)

### JOB INFORMATION

TYPE: DATE:

JOB NAME & ADDRESS:

PRODUCT #:

TOTAL QUANTITY:

LAMP TYPE & WATTAGE:

TRANSFORMER:

CONTRACTOR:

SPECIFIER:

• If you are ordering LED lamps you should follow the format below:

• **CL** - **product #** - **lamp** - **wattage**

**CL - 364B-AB - L-EDBA - 2W-3K**

Example: CL-364B-AB-L-EDBA-2W-3K

• Corona Lighting reserves the right to make any change and/or improvement to the design and construction of this fixture without further notification.

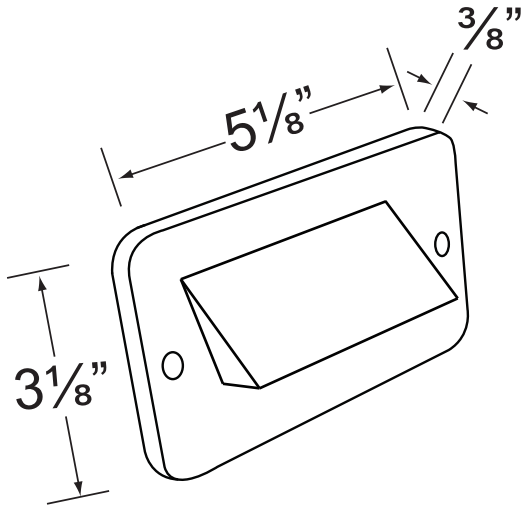
**PRODUCT # : CL-364B-AB**

• Step Lights

• Cast Brass

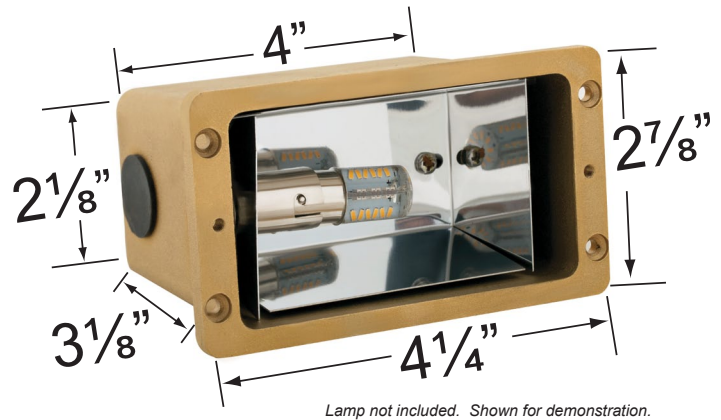
**Faceplates**

CX-832B-AB Brass 1 Louver Faceplate with Frosted Glass Lens  
Finish: **AB**- Antique Bronze



**Mount Box**

CX-734 Brass Mount Box, **No Lamp**



**Cable Connectors**

- CX-854 Direct Burial Silicone Filled Wire Nut, **Tan**
- CX-858 Speedy Cable Connector, Supply Cable up to 10-2, **Black**
- CX-839 Universal cable connector, Supply cable up to 8-2, one/Pack **Black**
- CX-LOC Quick-Locking Silicone Filled Wire Connector, 25 Sets (50 per Pack)

