

SPECIFICATION SHEET

PRODUCT # : CL-366C-RC

•Brick Lights

•Solid Copper

Fixture Specifications:

Housing: Heavy Duty corrosion resistant galvanized steel with self-leveling adjustable bars.

Faceplate: Solid Copper, fitted to housing with a silicone gasket.

Finish: Stamped copper available in **RC**- Raw Copper. RC finish will age gradually. Also available in **AB, BK, BZ, GM, RT, SI, WH**

Lens: High impact white polycarbonate

Socket: Two S.C. Bayonet sockets, attached to aluminum reflector.

Lamp: Two 12V, S.C. Bayonet, 27W max. Available in 2xLED (2W or 2.5W) or without lamps. See the Lamp Guide below for more information.

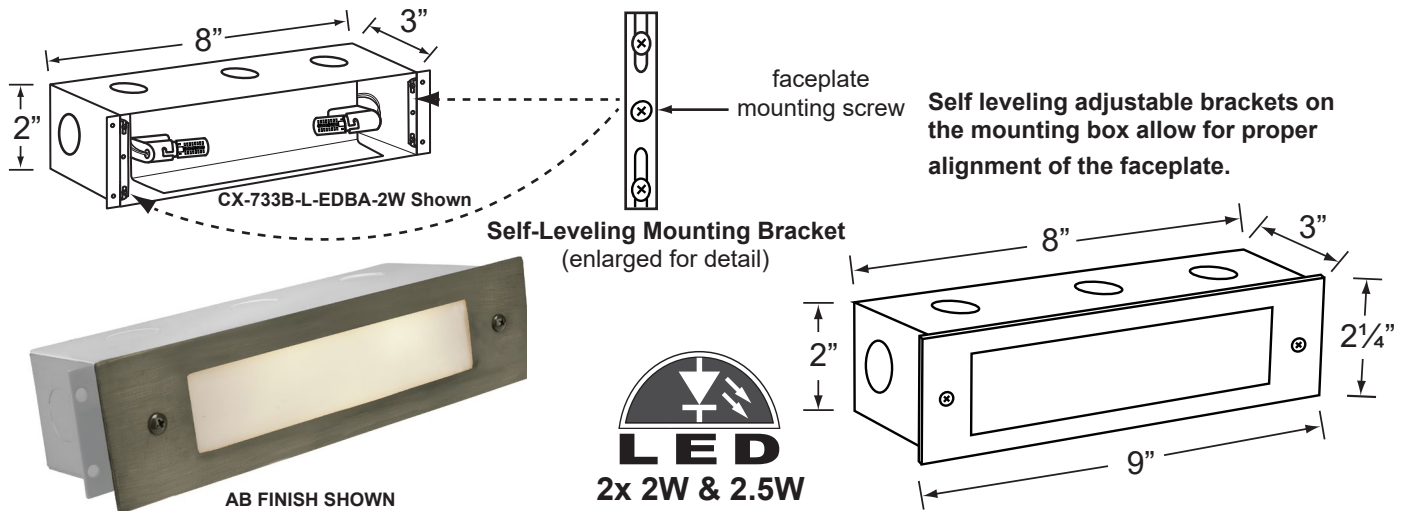
Gasket: Silicone gasket, seals faceplate to housing. Providing weather tight protection.

Wiring: Fixture comes prewired with a 12 inch direct burial cord. Wire connector sold separately. Silicone filled wire nut (**CX-854**) or quick locking wire connector (**CX-LOC**) are available from Corona Lighting.

Mounting: Recessed mount back box. Best used in concrete, brick and other masonry, with 3x 1/2" NPT inlets.

Electrical Notes: A remote 12V transformer is required. Options are available from Corona Lighting. Voltage range for LED lamps are 8V-21V.

Warranty: **AB, GM, SI, and RC**- Limited lifetime warranty on fixture housing and faceplate against manufacturer's defects. **BK, BZ, RT and WH**- Five year warranty on fixture housing and faceplate against manufacturer's defects.



AVAILABLE LED LAMPS (Corona LED lamps have a five (5) year limited warranty against manufacturer's defects)

LAMP NUMBER	WATTS	BEAM		COLOR & TEMP.	RATED HOURS	HALOGEN EQUIVALENT
		SPREAD	LUMEN			
L-EDBA-2W	2	360°	200	2700K	25,000	20 Watt
L-EDBA-2.5W	2.5	180°	240	2700K	25,000	35 Watt
L-EDBA-2W-3K	2	360°	210	3000K	25,000	20 Watt
L-EDBA-2.5W-3K	2.5	180°	250	3000K	25,000	35 Watt
L-EDBA-AM*	2	360°	170	2000K	25,000	20 Watt

*AM- Amber color
For more additional Lamps, and accessories visit Coronalighting.com

JOB INFORMATION

TYPE: _____ DATE: _____

JOB NAME & ADDRESS: _____

PRODUCT #: _____

TOTAL QUANTITY: _____

LAMP TYPE & WATTAGE: _____

TRANSFORMER: _____

CONTRACTOR: _____

SPECIFIER: _____

• If you are ordering LED lamps you should follow the format below:

• **CL** - **product #** - **lamp** - **wattage**

Example: CL-366C-RC-L-EDBA-2W-3K

CL - 366C-RC - L-EDBA - 2W-3K

• Corona Lighting reserves the right to make any change and/or improvement to the design and construction of this fixture without further notification.

PRODUCT # : CL-366C-RC

•Brick Lights

•Solid Copper

Faceplates

CX-878C-RC Copper, lensed faceplate with white acrylic lens.

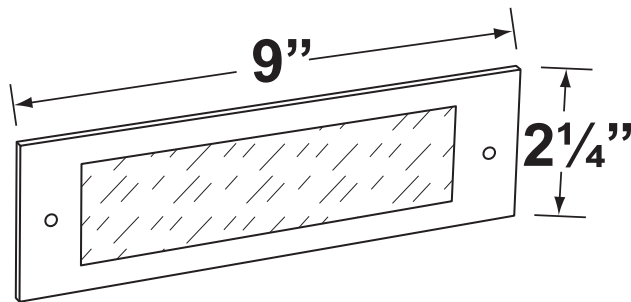
Finish: Available in **RC**- Raw Copper

CX-878 Aluminum, lensed faceplate with white acrylic lens.

Finishes: Available in **BK**- Black, **BZ**- Bronze, **RT**- Rust, and **WH**- White

CX-878B Brass, lensed faceplate with white acrylic lens.

Finishes: Available in **AB**- Antique Bronze, **GM**- Gun Metal, and **SI**- Silver Plated.



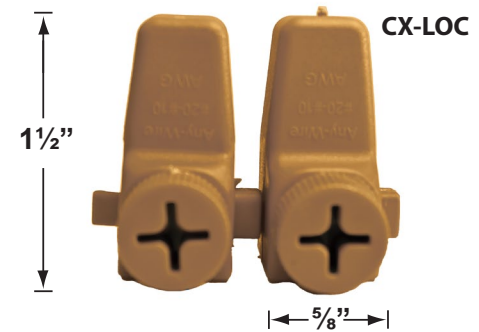
Cable Connectors

CX-854 Direct Burial Silicone Filled Wire Nut, **Tan**

CX-858 Speedy Cable Connector, Supply Cable up to 10-2, **Black**

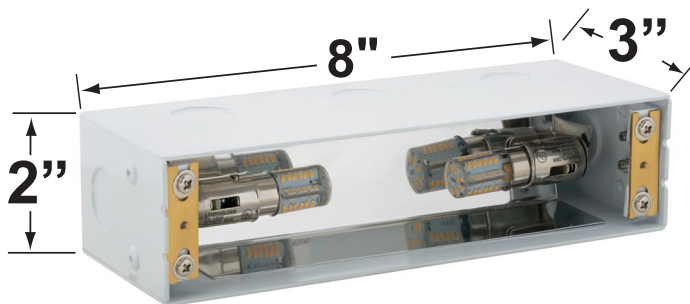
CX-839 Universal cable connector, Supply cable up to 8-2, one/Pack **Black**

CX-LOC Quick-Locking Silicone Filled Wire Connector, 25 Sets (50 per Pack)



Mount Box

CX-733B Steel Mount Box



Lamp not included. Shown for demonstration.