

SPECIFICATION SHEET

PRODUCT # : CL-367B

•Brick Lights

•Solid Brass

Fixture Specifications:

Housing: Heavy Duty corrosion resistant galvanized steel with self-leveling adjustable bars.

Faceplate: Solid brass, fitted to housing with a silicone gasket.

Finish: Stamped brass available in **AB-** Antique Bronze, **GM-** Gun Metal and **SI-** Silver Plated. AB finish will vary due to artistic process. Also available in **BK, BZ, RC, RT, WH**

Lens: High impact white polycarbonate

Socket: Two S.C. Bayonet sockets, attached to aluminum reflector.

Lamp: Two 12V, S.C. Bayonet, 27W max. Available in 2xLED (2W & 2.5W) or without lamps. See the Lamp Guide below for more information.

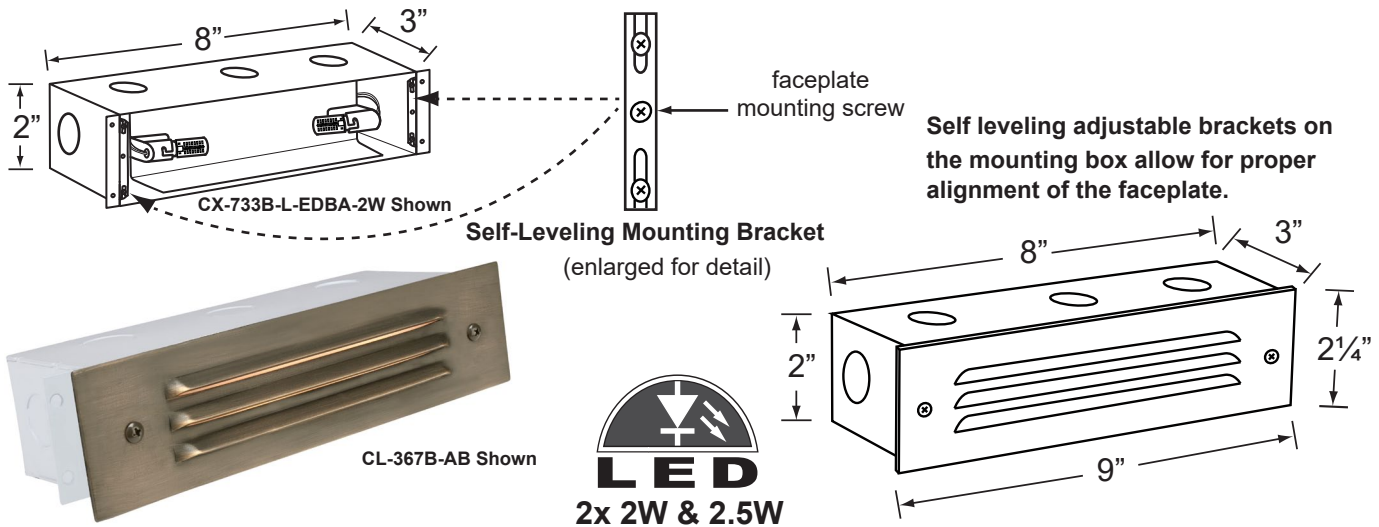
Gasket: Silicone gasket, seals faceplate to housing. Providing weather tight protection.

Wiring: Fixture comes prewired with a 12 inch direct burial cord. Wire connector is sold separately. Silicone filled wire nut (**CX-854**) and quick-locking wire connector (**CX-LOC**) are available from Corona Lighting.

Mounting: Recessed mount back box. Best used in concrete, brick and other masonry, with 5x 1/2" NPT inlets.

Electrical Notes: A remote 12V transformer is required. Options are available from Corona Lighting. Voltage range for LED lamps are 8V-21V.

Warranty: **AB, GM, SI, and RC-** Limited lifetime warranty on fixture housing and faceplate against manufacturer's defects. **BK, BZ, RT and WH-** Five year warranty on fixture housing and faceplate against manufacturer's defects.



AVAILABLE LED LAMPS (Corona LED lamps have a five (5) year limited warranty against manufacturer's defects)

LAMP NUMBER	WATTS	BEAM		COLOR & TEMP.	RATED HOURS	HALOGEN EQUIVALENT
		SPREAD	LUMEN			
L-EDBA-2W	2	360°	200	2700K	25,000	20 Watt
L-EDBA-2.5W	2.5	180°	240	2700K	25,000	35 Watt
L-EDBA-2W-3K	2	360°	210	3000K	25,000	20 Watt
L-EDBA-2.5W-3K	2.5	180°	250	3000K	25,000	35 Watt
L-EDBA-AM*	2	360°	170	2000K	25,000	20 Watt

*AM- Amber color

For more additional Lamps, and accessories visit Coronalighting.com

JOB INFORMATION

TYPE: DATE:

JOB NAME & ADDRESS:

PRODUCT #:

TOTAL QUANTITY:

LAMP TYPE & WATTAGE:

TRANSFORMER:

CONTRACTOR:

SPECIFIER:

• If you are ordering LED lamps you should follow the format below:

- CL - **product #** - **color** - **lamp** - **wattage**
- CL - **367B** - **AB** - **L-EDBA** - **2W-3K**

Example: CL-367B-AB-L-EDBA-2W-3K

• Corona Lighting reserves the right to make any change and/or improvement to the design and construction of this fixture without further notification.

ACCESSORIES SHEET

PRODUCT # : CL-367B

•Brick Lights

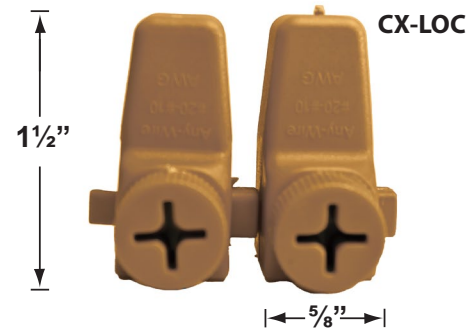
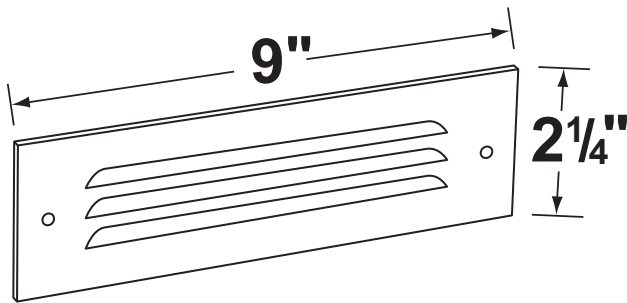
•Solid Brass

Faceplates

- CX-879B Brass. 3 louver faceplate with white acrylic lens
Finishes: **AB-** Antique Bronze, **GM-** Gun Metal, and **SI-** Silver Plated
- CX-879C-RC Copper, 3 louver faceplate with white acrylic lens
Finish: Available in **RC-** Raw Copper
- CX-879 Aluminum. 3 louver faceplate with white acrylic lens
Finishes: Available in **BK-** Black, **BZ-** Bronze, **RT-** Rust, and **WH-** White

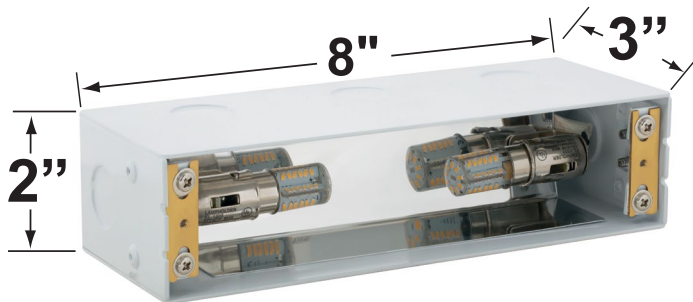
Cable Connectors

- CX-854 Direct Burial Silicone Filled Wire Nut, **Tan**
- CX-858 Speedy Cable Connector, Supply Cable up to 10-2, **Black**
- CX-839 Universal cable connector, Supply cable up to 8-2, one/Pack **Black**
- CX-LOC Quick-Locking Silicone Filled Wire Connector, 25 Sets (50 per Pack)



Mount Box

- CX-733B Steel Mount Box



Lamp not included. Shown for demonstration.