

SPECIFICATION SHEET

PRODUCT # : CL-376-BK

• Step Lights

• Composite

Fixture Specifications:

Housing: Injection molded composite for high UV stability.

Face Plate: Injection molded composite, fitted to housing with silicone "O" ring gasket.

Finish : **BK- Black.**
Also available in **BZ- Bronze.**

Lens: Frosted and heat resistant glass.

Socket: Top grade adjustable ceramic bi-pin socket with retention clip and teflon-jacketed wire lead.

Lamp: 12V, MR-16, 50W max.
Available in LED (3.5W & 5W) or without lamp.
See the Lamp Guide below for more information.

Gasket: Silicone "O" ring seals faceplate to housing providing weather tight protection.

Wiring: Fixture is prewired with a 3ft 18-2 SJT-W direct burial cord. Wire connector sold separately. Silicone filled wire nut (**CX-854**) or quick locking wire connector (**CX-LOC**) are available from Corona Lighting.

Mounting: In-ground direct burial or concrete encasement. For best results when mounting in concrete, use the concrete pour kit (**CX-237**)

Electrical Notes: A remote 12V transformer is required. Options are available from Corona Lighting. Voltage range for LED lamps are 9V-17V.

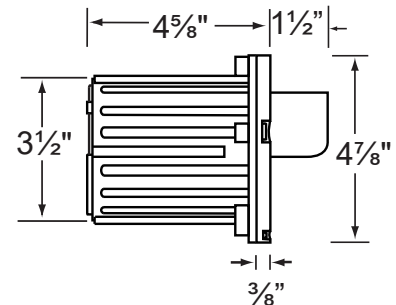
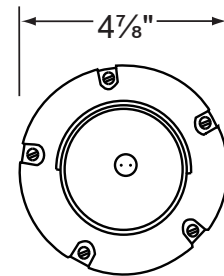
Warranty: Limited ten (10) years warranty on fixture against manufacturer's defects.



Fixture socket tilts for ± 25°



3.5W and 5W



AVAILABLE LED LAMPS (Corona LED lamps have a five (5) year limited warranty against manufacturer's defects)

LAMP NUMBER	WATTS	BEAM		COLOR & TEMP.	RATED HOURS	HALOGEN EQUIVALENT
		SPREAD	LUMEN			
L-ED16-3W-SP	3.5	15° Spot	270	2700K	50,000	25 Watt
L-ED16-3W-FL	3.5	45° Flood	270	2700K	50,000	25 Watt
L-ED16-3W-WF	3.5	60° Wide Flood	270	2700K	50,000	25 Watt
L-ED16-5W-SP	5	15° Spot	350	2700K	50,000	40 Watt
L-ED16-5W-FL	5	45° Flood	350	2700K	50,000	40 Watt
L-ED16-5W-WF	5	60° Wide Flood	350	2700K	50,000	40 Watt
L-ED16-COB5W-SP	5	15° Spot	450	2700K	50,000	50 Watt
L-ED16-COB5W-FL	5	38° Flood	450	2700K	50,000	50 Watt
L-ED16-COB5W-WF	5	60° Wide Flood	450	2700K	50,000	50 Watt
L-ED16-COB5W-SP3K	5	15° Spot	470	3000K	50,000	50 Watt
L-ED16-COB5W-FL3K	5	38° Flood	470	3000K	50,000	50 Watt
L-ED16-COB5W-WF3K	5	60° Wide Flood	470	3000K	50,000	50 Watt

■ Single color MR-16 LED available in AMBER, BLUE, GREEN, PURPLE, RED and VIOLET

JOB INFORMATION

TYPE: _____ DATE: _____

JOB NAME & ADDRESS:

PRODUCT #:

TOTAL QUANTITY:

LAMP TYPE & WATTAGE:

TRANSFORMER:

CONTRACTOR:

SPECIFIER:

• When ordering LED lamp with a fixture your part number should follow the format below:

• CL - product # - lamp - wattage - lamp angle

• CL - 376-BK - L-ED16 - 5W - FL

Example: CL-376-BK-L-ED16-5W-FL

• Corona Lighting reserves the right to make any change and/or improvement to the design and construction of this fixture without further notification.

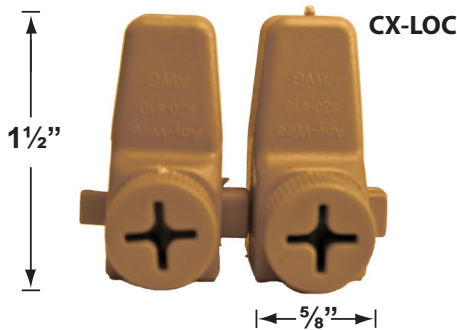
PRODUCT # : CL-376-BK

•Step Lights

• Composite

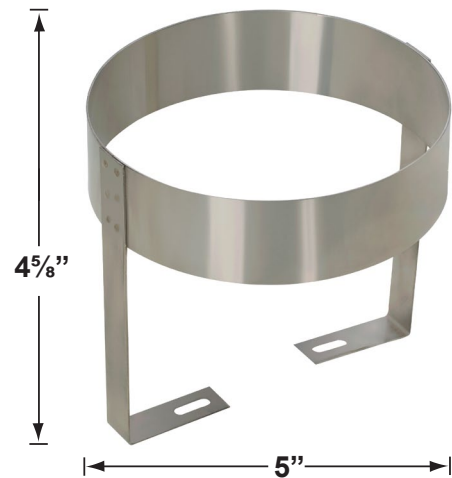
Cable Connectors

- CX-854 Direct Burial Silicone Filled Wire Nut, **Tan**
- CX-858 Speedy Cable Connector, Supply Cable up to 10-2, **Black**
- CX-839 Universal cable connector, Supply cable up to 8-2, one/Pack **Black**
- CX-LOC Quick-Locking Silicone Filled Wire Connector, 25 Sets (50 per Pack)



Mounting Tools

- CX-237 Concrete Pour Kit, **Stainless Steel**



Special Lenses & Honeycomb Louvers

- CX-238 MR-16 Snap-on holder, **Silver Plated**
- CX-239 MR-16 honeycomb louver, **Black**
- CX-240-AM MR-16 color lens, **Amber**
- CX-240-BL MR-16 color lens, **Blue**
- CX-240-GR MR-16 color lens, **Green**
- CX-240-RD MR-16 color lens, **Red**
- CX-240-YL MR-16 color lens, **Yellow**
- CX-241 MR-16 lens, **Linear Spread**
- CX-242 MR-16 lens, **Frosted**
- CX-243 MR-16 lens, **Prismatic**

For MR-16 Lenses and Louvers, you will need the CX-238

