

SPECIFICATION SHEET

PRODUCT # : CL-727-T

•Path Light

• Cast Aluminum

Fixture Specifications:

Housing & Shroud: Precision machined aluminum bars. The shrouds are locked into place with a stainless steel philips head mini-screw, shrouds are adjustable.

Stem: 18 inch machined aluminum pipe with 1/2" NPT on bottom
12 inch stems are also available.

Finish: Polyester UV powder coated, available in **BK- Black** and **BZ- Bronze**

Lens: Sealed shock resistant tempered glass lens to prevent water intrusion. Glass lens is clear.

Socket: Top grade fixed ceramic bi-pin socket.

Lamp: Two 12V T3, 20W max.
Available in 2xLED (2W & 2.5W) or without lamps.
See the Lamp Guide below for more information.

Wiring: Fixture is prewired with a 3ft 18-2 SPT1-W direct burial cord. Wire connector sold separately.
Universal connector (**CX-839**), quick locking wire connector (**CX-LOC**) or gel filled wire nut (**CX-854**) is available from Corona Lighting.

Gasket:

High temperature silicone O-rings for water-tight seal

Knuckle:

Machined aluminum knuckles with solid stainless steel philips head mini-screws for adjustability and 1/2" NPT threaded male hub on bottom. An alternative thumb screw, and two (2) hex screws for each fixture are included.

Mounting Spike:

Standard injection molded spike with 1/2" NPT threaded female hub.

Applications:

Golf/ Putting Green Light

Electrical Notes:

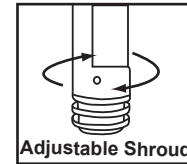
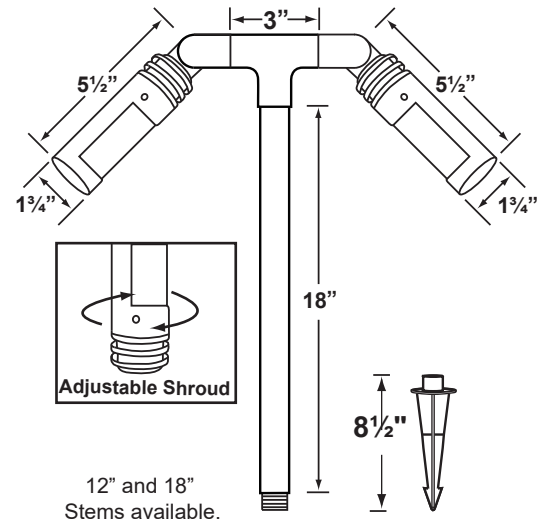
A remote 12V transformer is required. Options are available from Corona Lighting.
Voltage range for LED lamps are 8V-21V.
Some assembly needed. Proper grease/lubricant is suggested on threaded parts during installation.

Warranty:

Five (5) year warranty on fixture housing, to protect against manufacturer's defects.



BZ- Bronze finish
18" stem shown.



Adjustable Shroud

12" and 18"
Stems available.

AVAILABLE LED LAMPS (Corona LED lamps have a five (5) year limited warranty against manufacturer's defects)

LAMP NUMBER	WATTS	BEAM		COLOR & TEMP.	RATED HOURS	HALOGEN EQUIVALENT
		SPREAD	LUMEN			
L-EDT3-2W	2	360°	200	2700K	25,000	20 Watt
L-EDT3-2.5W	2.5	180°	240	2700K	25,000	35 Watt
L-EDT3-2W-3K	2	360°	210	3000K	25,000	20 Watt
L-EDT3-2.5W-3K	2.5	180°	250	3000K	25,000	35 Watt
L-EDT3-AM*	2	360°	170	2000K	25,000	20 Watt

* AM- Amber color
For more additional Lamps, and accessories visit Coronalighting.com

JOB INFORMATION

TYPE: DATE:

JOB NAME & ADDRESS:

PRODUCT #:

TOTAL QUANTITY:

LAMP TYPE & WATTAGE:

TRANSFORMER:

CONTRACTOR:

SPECIFIER:

• When ordering a halogen or xenon lamp add lamp number to the end of the product number. If you are ordering LED lamps you should follow the format below:

• **CL** - **product #** - **Length** - **color** - **lamp** - **wattage**
CL - 727T 18 - BK - L-EDT3 - 2W-3K

Example: CL-727T-18-BK-L-ED16-2W-3K

• Corona Lighting reserves the right to make any change and/or improvement to the design and construction of this fixture without further notification.

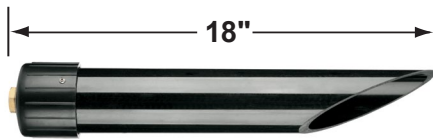
PRODUCT # : CL-727-T

•Path Lights

•Cast Aluminum

Mounting Pedestals

- CX-601-BK 1" PVC Mounting Pedestal, 1/2" NPT, **Black**
- CX-601-VG 1" PVC Mounting Pedestal, 1/2" NPT, **Verde Green**
- CX-602-BK 2" PVC Mounting Pedestal, 1/2" NPT, **Black**
- CX-602-VG 2" PVC Mounting Pedestal, 1/2" NPT, **Verde Green**
- CX-603-BK 3" PVC Mounting Pedestal, 1/2" NPT Female Brass Hub on top, **Black**
- CX-603-VG 3" PVC Mounting Pedestal, 1/2" NPT Female Brass Hub on top, **Verde Green**



CX-603-BK

- CX-604-BK 1" PVC Adjustable Mounting Pedestal, 1/2" NPT, **Black**
- CX-621-BK 1" PVC Cap, 1/2" NPT, **Black**
- CX-621-VG 1" PVC Cap, 1/2" NPT, **Verde Green**
- CX-622-BK 2" PVC Cap, 1/2" NPT, **Black**
- CX-622-VG 2" PVC Cap, 1/2" NPT, **Verde Green**
- CX-624-BK 3" PVC Cap, 1/2" NPT Female Brass Hub, **Black**
- CX-624-VG 3" PVC Cap, 1/2" NPT Female Brass Hub, **Verde Green**

Mounting Canopies

- CX-703 Aluminum tree mount canopy 1/2" NPT
 Finishes: **BK- Black, BZ- Bronze, GR- Green, GT- Granite, RT- Rust, VG- Verde Green, WH- White**



CX-703-BK

Cable Connectors

- CX-854 Direct Burial Silicone Filled Wire Nut, **Tan**
- CX-858 Speedy Cable Connector, Supply Cable up to 10-2, **Black**
- CX-839 Universal cable connector, Supply cable up to 8-2, one/Pack **Black**
- CX-LOC Quick-Locking Silicone Filled Wire Connector, 25 Sets (50 per Pack)

Ground Spikes

- CX-642-BK 8.5" ABS Spike, 1/2" NPT, **Black**
- CX-642-BZ 8.5" ABS Spike, 1/2" NPT, **Bronze**
- CX-643-BZ 8.5" ABS Spike, 1/2" NPT, **Bronze**



CX-647-BK

- CX-646-BK 8" ABS Spike, 1/2" NPT, **Black**
- CX-646-BR 8" ABS Spike, 1/2" NPT, **Natural Brass**
- CX-646-SS 8" ABS Spike, 1/2" NPT, **Stainless Steel**
- CX-647-BK 10.5" Heavy Duty ABS Spike, 1/2" NPT, **Black**

Mounting Risers

- CX-671 6" Aluminum Riser, 1/2" NPT Male/Female
 Finishes: **BK- Black, BZ- Bronze, GR- Green, GT- Granite, RT- Rust, VG- Verde Green, WH- White**
- CX-672 12" Aluminum Riser, 1/2" NPT Male/Female
 Finishes: **BK- Black, BZ- Bronze, GR- Green, GT- Granite, RT- Rust, VG- Verde Green, WH- White**
- CX-673 18" Aluminum Riser, 1/2" NPT Male/Female
 Finishes: **BK- Black, BZ- Bronze, GR- Green, GT- Granite, RT- Rust, VG- Verde Green, WH- White**



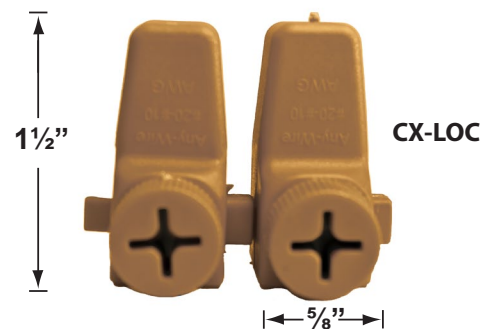
CX-671-BK 6"



CX-672-BK 12"



CX-673-BK 18"



CX-LOC

PRODUCT # : CL-727-T

• Path Lights

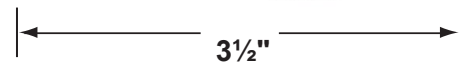
• Cast Aluminum

Mounting Brackets

CX-700 Aluminum Bracket, 1/2" NPT
Finishes: **BK**- Black, **BZ**- Bronze, **GR**- Green,
GT- Granite, **RT**- Rust, **VG**- Verde Green,
WH- White

CX-704 Aluminum Bracket, 1/2" NPT
Finishes: **BK**- Black, **BZ**- Bronze, **GR**- Green,
GT- Granite, **RT**- Rust, **VG**- Verde Green,
WH- White

CX-704-BK



CX-700-BK

