

CLS G1

LED Architectural Cylinder Downlight

Due to continuous product improvements, specification and/or equipment updates may change without notice.

DESIGN XP



CLS Series

3"/4"/6" - Black/Silver/White - Selectable Distribution

Pendant Mount - Surface Mount - Design Focused

(Images are shown for illustration purposes only)

ORDERING GUIDE

Example: **CLS 6R LS40 SD G1 9FSK W**

Fixture Type	Size & Shape	Selectable Lumen Output	Distribution	Generation	Voltage	Dimming	CCT	Finish
• CLS LED Selectable Cylinder Downlight	• 3R 3" Round	• LS15 500 Lm / 5 W 950 Lm / 10 W 1,400 Lm / 15 W	• SD Selectable Distribution - 25° - 80°	• G1 First Generation	• BLANK 120-277 V	• BLANK 0-10V, TRIAC & ELV	• 9FSK 2700K 3000K 3500K 4000K 5000K -90 CRI	• B Black
	• 4R 4" Round	• LS25 1,000 Lm / 10 W 2,000 Lm / 20 W 2,500 Lm / 25 W	• SD Selectable Distribution - 30° - 60°					• W White
	• 6R 6" Round	• LS40 2,000 Lm / 20 W 3,000 Lm / 30 W 4,000 Lm / 40 W	• SD Selectable Distribution - 35° - 60°					• SG Silver Gray

ACCESSORIES

OPTIONAL ACCESSORIES

Power Feed

- **CLS-SJT-185-B-12FT**
SJT Power Cable 17AWG/3C, 22AWG/2C, 300V, Black, 12 ft
- **CLS-SJT-185-W-12FT**
SJT Power Cable 17AWG/3C, 22AWG/2C, 300V, White, 12 ft
- **CLS-SJT-185-B-7FT**
SJT Power Cable 17AWG/3C, 22AWG/2C, 300V, Black, 7 ft
- **CLS-SJT-185-W-7FT**
SJT Power Cable 17AWG/3C, 22AWG/2C, 300V, White, 7 ft

Surface Mount

- **CLS-SM-RJ-B** - 6in Surface Mount for Recessed J-Box, Black
- **CLS-SM-SJ-B** - 6in Surface Mount for Surface J-Box, Black
- **CLS-SM-RJ-W** - 6in Surface Mount for Recessed J-Box, White
- **CLS-SM-SJ-W** - 6in Surface Mount for Surface J-Box, White
- **CLS-SM-RJ-SG** - 6in Surface Mount for Recessed J-Box, Silver Gray
- **CLS-SM-SJ-SG** - 6in Surface Mount for Surface J-Box, Silver Gray

Pendant Mount

- **CLS-PM-RJ-B** - 6in Pendant Mount for Recessed J-Box, Black
- **CLS-PM-SJ-B** - 6in Pendant Mount for Surface J-Box, Black
 - **CLS-STEM-B-IFT*** - Stem for Pendant Mount, Black, 1 Ft
- **CLS-PM-RJ-W** - 6in Pendant Mount for Recessed J-Box, White
 - **CLS-STEM-W-IFT*** - Stem for Pendant Mount, White, 1 Ft
- **CLS-PM-SJ-W** - 6in Pendant Mount for Surface J-Box, White
 - **CLS-STEM-W-IFT*** - Stem for Pendant Mount, White, 1 Ft
- **CLS-PM-RJ-SG** - 6in Pendant Mount for Recessed J-Box, Silver Gray
- **CLS-PM-SJ-SG** - 6in Pendant Mount for Surface J-Box, Silver Gray
 - **CLS-STEM-SG-IFT*** - Stem for Pendant Mount, Silver Gray, 1 Ft

*Stem Recommendations

7' Power Cable:
- 6 stems

12' Power Cable:
- 11 stems

Specifications

Construction

Aluminum housing and heat-sink with matte finish.

Efficacy

Up to 100 Lm/W.

Wattage

Field Selectable:

LS15: 5 - 15 W

LS25: 10 - 25 W

LS40: 20 - 40 W

Lumen Range

Field Selectable:

LS15: 500 - 1400 Lm

LS25: 1,000 - 2,500 Lm

LS40: 2,000 - 4,000 Lm

Ambient Operating Temperature

-25°C (-13°F) to 40°C (104°F).

Mounting

Surface, stem pendant, or cord pendant mounting.

CRI

90 CRI

Dimming and Range

Universal: 0-10V, TRIAC, & ELV Dim off (0.75V), 10-100%

Lifespan

L70 > 50,000 hrs @ 25°

Colors

Matte White (RAL9003)

Matte Black (RAL9004)

Silver Gray (RAL9006)

Distribution

Selectable Distribution:

LS15: 25° - 80°

LS25: 30° - 60°

LS40: 35° - 60°

Electrical

PF > 0.9

THD < 25%

Flicker free < 30%

Low noise < 22dB

Warranty

5-year limited warranty.

Comprehensive warranty terms can be located on www.slgus.com.

Certifications/Listings

Suitable for damp locations. Energy

Star listed, FCC part 15 Class B, CA

Title 24 Compliant: JA8-2022(-E)

Performance Information

Series Number	Lumens	Wattage	
CLS 3R LS15	500 Lm	5 W	2700K / 3000K / 3500K 4000K / 5000K
	950 Lm	10 W	
	1,400 Lm	15 W	
Series Number	Lumens	Wattage	CCT
CLS 4R LS25	1,000 Lm	10 W	2700K / 3000K / 3500K 4000K / 5000K
	2,000 Lm	20 W	
	2,500 Lm	25 W	
Series Number	Lumens	Wattage	CCT
CLS 6R LS40	2,000 Lm	20 W	2700K / 3000K / 3500K 4000K / 5000K
	3,000 Lm	20 W	
	4,000 Lm	40 W	

Catalog

Catalog Number	Description	Lumens	Watts	CCT	Voltage	Dimming
CLS 3R LS15 G1 9FSK B	LED Selectable Cylinder Downlight - 3" - 25°-75° Selectable Distribution, Selectable Power, Selectable CCT, 90CRI, Universal Dimming, Black Trim	Selectable 500 - 1,400 Lumens	Selectable 5 - 15 W	Selectable 2700K - 5000K	120V - 277V	0-10V, TRIAC & ELV
CLS 4R LS25 G1 9FSK B	LED Selectable Cylinder Downlight - 4" - 30°-60° Selectable Distribution, Selectable Power, Selectable CCT, 90CRI, Universal Dimming, Black Trim	Selectable 1,000 - 2,500 Lumens	Selectable 10 - 25 W	Selectable 2700K - 5000K	120V - 277V	0-10V, TRIAC & ELV
CLS 6R LS40 G1 9FSK B	LED Selectable Cylinder Downlight - 6" - 35°-60° Selectable Distribution, Selectable Power, Selectable CCT, 90CRI, Universal Dimming, Black Trim	Selectable 2,000 - 4,000 Lumens	Selectable 20 - 40 W	Selectable 2700K - 5000K	120V - 277V	0-10V, TRIAC & ELV
CLS 3R LS15 G1 9FSK W	LED Selectable Cylinder Downlight - 3" - 25°-75° Selectable Distribution, Selectable Power, Selectable CCT, 90CRI, Universal Dimming, White Trim	Selectable 500 - 1,400 Lumens	Selectable 5 - 15 W	Selectable 2700K - 5000K	120V - 277V	0-10V, TRIAC & ELV
CLS 4R LS25 G1 9FSK W	LED Selectable Cylinder Downlight - 4" - 30°-60° Selectable Distribution, Selectable Power, Selectable CCT, 90CRI, Universal Dimming, White Trim	Selectable 1,000 - 2,500 Lumens	Selectable 20 - 40 W	Selectable 2700K - 5000K	120V - 277V	0-10V, TRIAC & ELV
CLS 6R LS40 G1 9FSK W	LED Selectable Cylinder Downlight - 6" - 35°-60° Selectable Distribution, Selectable Power, Selectable CCT, 90CRI, Universal Dimming, White Trim	Selectable 2,000 - 4,000 Lumens	Selectable 7 - 15 W	Selectable 2700K - 5000K	120V - 277V	0-10V, TRIAC & ELV
CLS 3R LS15 G1 9FSK SG	LED Selectable Cylinder Downlight - 3" - 25°-75° Selectable Distribution, Selectable Power, Selectable CCT, 90CRI, Universal Dimming, Silver Gray Trim	Selectable 500 - 1,400 Lumens	Selectable 5 - 15 W	Selectable 2700K - 5000K	120V - 277V	0-10V, TRIAC & ELV
CLS 4R LS25 G1 9FSK SG	LED Selectable Cylinder Downlight - 4" - 30°-60° Selectable Distribution, Selectable Power, Selectable CCT, 90CRI, Universal Dimming, Silver Gray Trim	Selectable 1,000 - 2,500 Lumens	Selectable 10 - 25 W	Selectable 2700K - 5000K	120V - 277V	0-10V, TRIAC & ELV
CLS 6R LS40 G1 9FSK SG	LED Selectable Cylinder Downlight - 6" - 35°-60° Selectable Distribution, Selectable Power, Selectable CCT, 90CRI, Universal Dimming, Silver Gray Trim	Selectable 2,000 - 4,000 Lumens	Selectable 20 - 40 W	Selectable 2700K - 5000K	120V - 277V	0-10V, TRIAC & ELV

Dimmer Compatibility

No.	Brand	Model No.	Interface
1	Leviton	IP710-DLZ	0-10V
2	Lithonia/Synergy	ISD BC 120/277 WH	0-10V
3	Cooper	SF10P-W	0-10V
4	Lutron	DVSTV-WH	0-10V
5	HUBBELL	PSD710	0-10V
6	HUBBELL	RSD710Z	0-10V

Brand	Model No.	Wattage	Interface
Lutron	CTCL-153P-WH	150W	TRIAC
Lutron	S2-LH	300W	TRIAC
Lutron	DVCL-153P	150W	TRIAC
Legrand	HCL453PTCCCV6	450W	TRIAC
Synergy/Leviton	ISD 600 I 120 / IPI06	600W	TRIAC
Leviton	6633-PA	600W	TRIAC
Leviton	6631-PLW	600W	TRIAC
Leviton	IPL06-10Z	600W	Universal
Leviton	6674-P0W	600W	Universal
Lutron	DVELV-300P-AL	300W	ELV
Lutron	NTELV-300-WH	300W	ELV
Lutron	SELV-300P	300W	ELV
Insteon	2477D	600W	ELV
HUBBELL	RSDE06	600W	ELV
Lutron	PD-5NE	150W	Wireless

Accessories



CLS-SJT-185

Power Cord (available in Black and White, as well as 12 and 7 ft options)



CLS-SM-SJ

Surface mount for surface J-Box (available in Black, White and Silver Gray)



CLS-SM-RJ

Surface mount for Recessed J-Box (available in Black, White and Silver Gray)



CLS-PM-SJ

Pendant mount for surface J-Box (available in Black, White and Silver Gray)



CLS-PM-RJ

Pendant mount for Recessed J-Box (available in Black, White and Silver Gray)

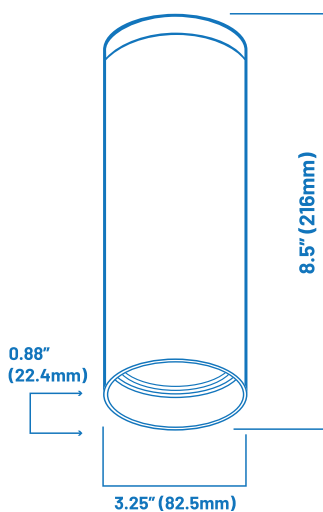


CLS-STEM-X-1FT

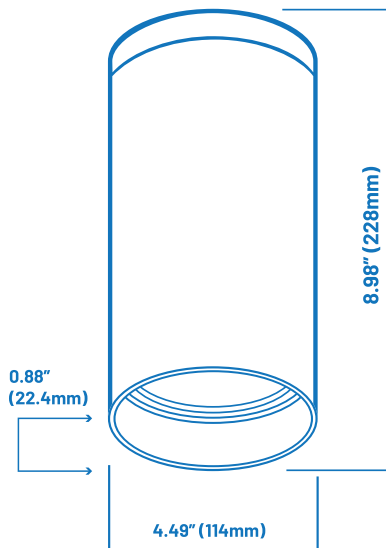
Stem for Pendant Mount, 1 FT - linkable (available in Black, White and Silver Gray)

Dimensions

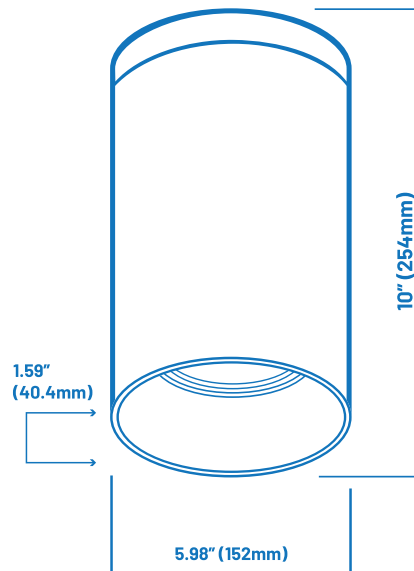
CLS 3R



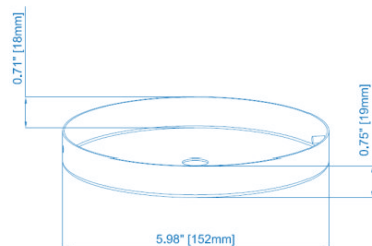
CLS 4R



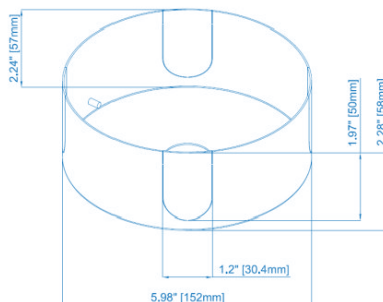
CLS 6R



Recess Mount



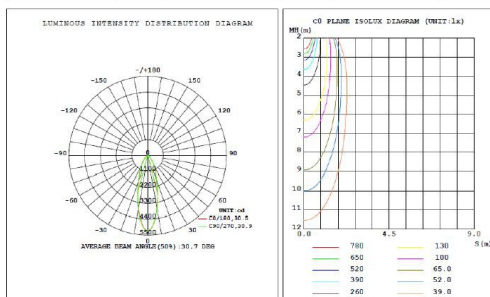
Surface Mount



Photometrics

CLS 4R-27FSK - 30° Angle

DATA OF LAMP		PHOTOMETRIC DATA Ref: 107.56 lm/W			
MODEL		5130	S/MI (C0/180)	0.51	
NOMINAL POWER (W)	25	LOR (°)	100.0	S/MI (C90/270)	0.51
RATED VOLTAGE (V)	120	TOTAL FLUX (lm)	2541.1	η UP, DN (C0-180)	0.0, 49.8
NOMINAL FLUX (lm)	2541.06	CIE CLASS	DIRECT	η UP, DN (C180-360)	0.0, 50.2
LAMPS INSIDE	1	η up (%)	0.0	CIBSR SHR NOM	0.50
TEST VOLTAGE (V)	120	η down (%)	100.0	CIBSR SHR MAX	0.55



CLS 4R-27FSK - 60° Angle

DATA OF LAMP		PHOTOMETRIC DATA Ref: 96.52 lm/W			
MODEL		2022	S/MI (C0/180)	0.89	
NOMINAL POWER (W)	25	LOR (°)	100.0	S/MI (C90/270)	0.87
RATED VOLTAGE (V)	120	TOTAL FLUX (lm)	2246.9	η UP, DN (C0-180)	0.0, 49.7
NOMINAL FLUX (lm)	2246.94	CIE CLASS	DIRECT	η UP, DN (C180-360)	0.0, 50.3
LAMPS INSIDE	1	η up (%)	0.0	CIBSR SHR NOM	0.75
TEST VOLTAGE (V)	120	η down (%)	100.0	CIBSR SHR MAX	0.95

