



Color: Black

Weight: 2.2 lbs

Project:

Type:

Prepared By:

Date:

**Driver Info**

Type	Constant Current
120V	0.10A
208V	0.00A
240V	0.00A
277V	0.00A
Input Watts	11.6-12.1W

**LED Info**

Watts	12W
Color Temp	3000K/4000K/5000K
Color Accuracy	93-94 CRI
L70 Lifespan	100,000 Hours
Lumens	1066-1130 lm
Efficacy	88.1-97.1 lm/W

**Technical Specifications**

**Field Adjustability**

**Field Adjustable:**

Field Adjustable Light Output:  
Color Temperature Selectable:  
3000K, 4000K and 5000K (factory default 4000K)

**Compliance**

**UL Listed:**

Suitable for dry locations

**IP Rating:**

IP20

**LED Characteristics**

**LEDs:**

Long-life, high-efficacy, COB (Chip on Board) LEDs

**Color Temperature:**

3000/4000/5000K CCT Adjustable

**Electrical**

**Driver:**

Constant Current, Class 2, 120V, 60 Hz, 120V: 0.11A

**Dimming Driver:**

120V TRIAC Dimmers

**Aux Power Supply:**

No

**Dim to Off:**

No

**Surge Protection:**

Ring Wave L-N:2.5 kV, LN-PE 2.5 kV

**Construction**

**Cold Weather Starting:**

The minimum starting temperature is -4°F (-20°C)

**Maximum Ambient Temperature:**

Suitable for use in up to 104°F (40°C)

**Housing:**

Aluminum

**Reflector/Tray:**

Aluminum

**Finish:**

Formulated for high durability and long-lasting color

**Performance**

**Lifespan:**

100,000-Hour LED lifespan based on IESlm-80 results and TM-21 calculations

**Installation**

**Mounting:**

Surface Mount

**Optical**

**Optics:**

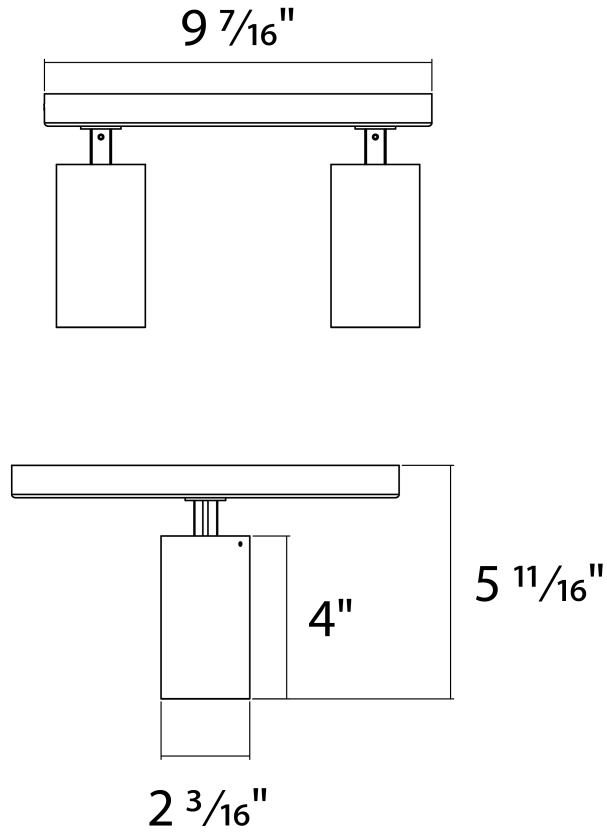
36°

**Other**

**5-Year Limited Warranty:**

The RAB 5-year, limited warranty covers light output, driver performance and paint finish. RAB's warranty is subject to all terms and conditions found at [rablighting.com/warranty](http://rablighting.com/warranty).

Dimensions



Ordering Matrix

Family	Size	Mounting	Color Temp	Optics	Finish	Driver
COL	12	SM2			B	
	6 = Single 6W Lamp Head 12 = Two 6W Lamp Heads 18 = Three 6W Lamp Heads	Blank = H-Track Mount RM = Semi-Recessed Mount Mono SM = Surface Mount Mono SM2 = Round Ceiling Mount 2 Lamps SM3 = Round Ceiling Mount 3 Lamps LM2 = Linear Ceiling Mount 2 Lamps LM3 = Linear Ceiling Mount 3 Lamps	Blank = 3000/4000/5000K CCT Adjustable	Blank = 36°	Blank = White Housing/Gold Reflector B = Black Housing/Gold Reflector	Blank = 120V, TRIAC Dimming