



Color: Black

Weight: 0.5 lbs

Project:	Type:
Prepared By:	Date:

Driver Info		LED Info	
Type	Constant Current	Watts	6W
120V	0.05A	Color Temp	3000K/4000K/5000K
208V	0.00A	Color	93-94 CRI
240V	0.00A	Accuracy	
277V	0.00A	L70 Lifespan	100,000 Hours
Input Watts	5.9-6.1W	Lumens	537-572 lm
		Efficacy	88-97 lm/W

Technical Specifications

Field Adjustability

Field Adjustable:

Field Adjustable Light Output:
Color Temperature Selectable:
3000K, 4000K and 5000K (factory default 4000K)

Compliance

UL Listed:

Suitable for dry locations

IP Rating:

IP20

LED Characteristics

LEDs:

Long-life, high-efficacy, COB (Chip on Board) LEDs

Color Temperature:

3000/4000/5000K CCT Adjustable

Electrical

Driver:

Constant Current, Class 2, 120V, 60 Hz, 120V: 0.06A

Dimming Driver:

120V TRIAC Dimmers

Aux Power Supply:

No

Dim to Off:

No

Surge Protection:

Ring Wave L-N:2.5 kV, LN-PE 2.5 kV

Construction

Cold Weather Starting:

The minimum starting temperature is -4°F (-20°C)

Maximum Ambient Temperature:

Suitable for use in up to 104°F (40°C)

Housing:

Aluminum

Reflector/Tray:

Aluminum

Finish:

Formulated for high durability and long-lasting color

Performance

Lifespan:

100,000-Hour LED lifespan based on IESlm-80 results and TM-21 calculations

Installation

Mounting:

H-Track Mount

Optical

Optics:

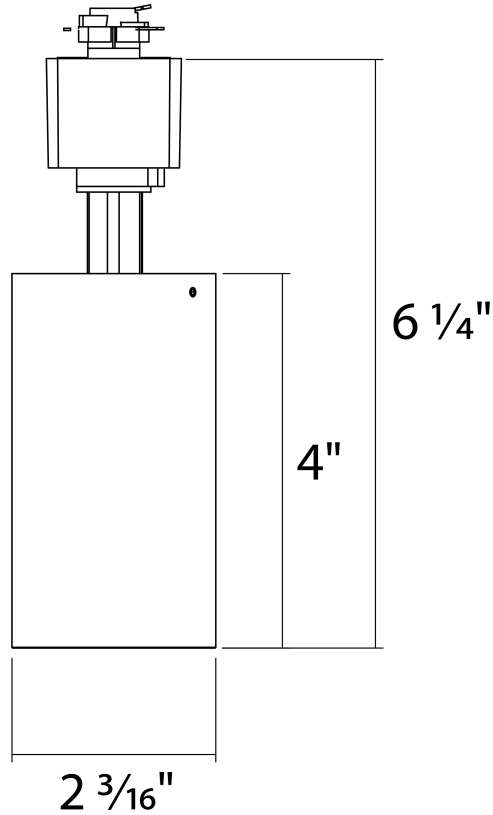
36°

Other

5-Year Limited Warranty:

The RAB 5-year, limited warranty covers light output, driver performance and paint finish. RAB's warranty is subject to all terms and conditions found at rablighting.com/warranty.

Dimensions



Ordering Matrix

Family	Size	Mounting	Color Temp	Optics	Finish	Driver
COL	6				B	
	6 = Single 6W Lamp Head 12 = Two 6W Lamp Heads 18 = Three 6W Lamp Heads	Blank = H-Track Mount RM = Semi-Recessed Mount Mono SM = Surface Mount Mono SM2 = Round Ceiling Mount 2 Lamps SM3 = Round Ceiling Mount 3 Lamps LM2 = Linear Ceiling Mount 2 Lamps LM3 = Linear Ceiling Mount 3 Lamps	Blank = 3000/4000/5000K CCT Adjustable	Blank = 36°	Blank = White Housing/Gold Reflecto B = Black Housing/Gold Reflector	Blank = 120V, TRIAC Dimming