



|                     |              |
|---------------------|--------------|
| <b>Project:</b>     | <b>Type:</b> |
| <b>Prepared By:</b> | <b>Date:</b> |

| Driver Info |                    | LED Info       |                           |
|-------------|--------------------|----------------|---------------------------|
| Type        | Constant Current   | Watts          | 37/34/29W                 |
| 120V        | 0.29/0.34/0.37     | Color Temp     | 2700/3000/3500/4000/5000K |
| 208V        | 0.15A/0.17A/0.18A  | Color Accuracy | 90 CRI                    |
| 240V        | 0.13A/0.15A/0.16A  | L70 Lifespan   | 50,000 Hours              |
| 277V        | 0.12A/0.135A/0.15A | Lumens         | 4200/4000/3500 lm         |
| Input Watts | 37/34/29W          | Efficacy       | 114/118/121 lm/W          |

**Technical Specifications**

**Lightcloud**

**Lightcloud Blue:**

Lightcloud Blue is a Bluetooth® Mesh lighting control system designed for fast setup and flexibility. Install quickly with no gateways, hubs, or additional control wiring. Start with a single device and easily scale to control entire buildings. Learn more at [rablighting.com/lcb](http://rablighting.com/lcb).

DLC system - N1XMLOEATBA (Interior); NHCZ2BIA17L (Exterior)

**Gateway Required:**

No

**Communication Protocol:**

Bluetooth Mesh

**SmartShift:**

No

**Range:**

Indoor: Up to 60 feet between standard building materials. Building materials such as brick, concrete, and steel construction may require additional Lightcloud Blue devices to extend around an obstruction; Up to 200 feet clear line of sight.

Outdoor: Up to 60 feet clear line of sight; Up to 18 feet around corners

**Spacing Criteria:**

Lightcloud Blue devices should be placed within the specified range to communicate within the Bluetooth Mesh network.

**Performance**

**Product Type:**

Commercial Downlight

**Description:**

Smart, canless commercial downlights with integrated sensors and Bluetooth® Mesh control. Adjust wattage and color temperature on the fixture, then use the Lightcloud Blue app for wireless dimming, scheduling, and occupancy-based automation—no gateway required.

**Wattage Equivalency:**

100W CFL

**Input Wattage:**

37/34/29W

**Lumens (Nominal):**

4200/4000/3500lm

**Efficacy:**

114/118/121lm/W

**L70 Lifespan:**

50,000-Hour LED lifespan based on IES LM-70 results

**Electrical**

**Driver:**

Constant Current, Class 2 120-277V 50/60 Hz; 120V: 0.29/0.34/0.37mA; 208V: 0.15/0.17/0.18mA; 240V: 0.13/0.15/0.16mA; 277V: 0.12/0.135/0.15mA

**THD:**

20%

**Power Factor:**

0.9

**Dimmable:**

Yes via the Lightcloud Blue mobile app and devices. This product will not operate properly when connected to a standard (incandescent) dimmer or dimming control.

**Operating Temperature:**

-4°F to 104°F (-20 to 40°C)

**Flicker:**

30%

**For Emergency Use:**

This fixture should not be used in emergency applications. Contact RAB for alternative options.

## Technical Specifications (continued)

### Sensor Settings

#### Max Mounting Height:

8 to 12 feet

#### Detection Range:

20 ft diameter at 9 ft mounting height

#### Sensor Technology:

Passive Infrared (PIR)

#### Adjustable Sensor Settings?:

Yes, using the Lightcloud Blue mobile app

#### Sensing Type:

Occupancy or vacancy, adjustable using the Lightcloud Blue mobile app

#### Occupied Actions:

On or On at a Dim Level

#### Vacant Actions:

Off or On at a Dim Level

#### Occupancy Timeout:

1 minute to 240 minutes

#### Daylight Sensing:

Continuous dimming based on target light levels configured using the Lightcloud Blue mobile app.

#### Photocell:

Integrated and disabled. Configure using the Lightcloud Blue mobile app.

### LED Characteristics

#### Beam Angle:

85°±10°

#### Color Temperature:

Default 4000K

Field-adjustable via dip switch

2700/3000/3500/4000/5000K

#### Color Accuracy (CRI):

90 CRI

#### R9 Value:

High color performance with R9 no greater than 50

#### Color Consistency:

<4-step MacAdam Ellipse binning to achieve consistent fixture-to-fixture color

#### Color Stability:

LED color temperature is warranted to Shift no more than 200K in color temperature over a 5-year period

#### Color Uniformity:

RAB's range of Correlated Color Temperature follows the guidelines of the American National Standard for Specifications for the Chromaticity of Solid State Lighting (SSL) Products, ANSI C78.377-2017.

### Installation

#### Integrated Driver:

Driver is integrated on top of the light fixture and connects to junction box (not included) using the provided MC Whip cable.

#### Installation Types:

Designed for remodel or direct mounting in the ceiling, or can be retrofitted into existing commercial downlight housings.

### Construction

#### Mounting:

Recessed with retention tabs, no housing required

#### Size:

10"

#### Shape:

Round

#### Finish:

White

#### Enclosure Material:

Metal

#### Trim Style:

Smooth

#### Lens Finish:

Frosted

#### Lens:

Polycarbonate light diffuser distributes light evenly and smoothly for general lighting applications

#### Air Tight:

Housing certified Air Tight as per ASTM-E283

### Compliance

#### Listings:

UL Listed, UL Classified

#### Environment:

Suitable for use indoors and outdoors in dry, damp, or wet environments.

#### IC Rated:

Suitable for direct contact with insulation.

Type IC inherently protected, suitable for direct contact to air permeable insulation and cULus listed for damp locations. Not for use in direct contact with spray foam insulation, consult NEMA LSD57-2013.

#### Energy Star Approved:

This product is ENERGY STAR® Version 2.2 Certified

#### DLC NLC Listed:

This system is on the Design Lights Consortium (DLC) Network Lighting Controls (NLC) Qualified Products List and is eligible for rebates from DLC Member Utilities.

DLC system - N1XMLOEATBA (Interior);

NHCZ2BIA17L (Exterior)

#### California Title 20 Compliant:

No

#### California Title 24 JA8 Compliant:

Can be used to conform with the requirements of California Title 24 Part 6.

#### California Energy Commission (CEC) Status:

Lawful for Sales in California

#### NEC Compliant:

Suitable for use in closets. Compliant with NEC Sec. 410.16 (A)(1) and 410.16 (C3).

#### IESNA LM-79 & LM-80 Testing:

RAB LED luminaires and LED components have been tested by an independent laboratory in accordance with IESNA LM-79 and LM-80.

#### RoHS:

Mercury and UV free. RoHS-compliant components.

#### FCC:

Complies with Part 15 of the FCC Rules

#### Trade Agreements Act Compliant:

This product is a product of Cambodia and a "designated country" end product that complies with the Trade Agreements Act

### Other

#### Compatible Accessories:

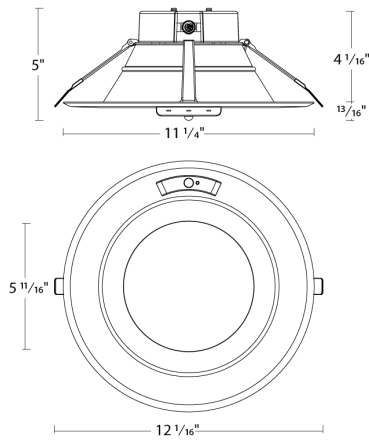
Combine with other [Lightcloud Blue Devices](#) to expand your system capabilities.

**Technical Specifications (continued)**

**5-Year, No-Compromise Warranty:**

RAB warrants that our LED products will be free from defects in materials and workmanship for a period of five (5) years from the date of delivery to the end user, including coverage of light output, color stability, driver performance and fixture finish. RAB's warranty is subject to all terms and conditions found at [rablighting.com/warranty](http://rablighting.com/warranty).

**Dimensions**



**Features**

- Luminaire level lighting control with Lightcloud Blue
- Wireless control for on/off, dimming, and schedules
- Integrated passive infrared motion sensor and photocell, adjustable settings via the mobile app
- Selectable wattage and color temperature via on-board dip-switch
- Suitable for new construction and remodel applications

**Ordering Matrix**

| Family | Size/Wattage   | Shape         | CRI/Color Temp   | Driver           | Finish        | Trim           | Controls                                  |
|--------|--|---------------|--|------------------|---------------|----------------|---|
| CR     | 10   |               |  |                  |               |                | /LCBS                                     |
|        | 4 = 4", 12W<br>6 = 6", 23/19/14W<br>8 = 8", 33/28/26W<br>10 = 10", 37/34/29W | Blank = Round | Blank = 90 CRI, 2700/3000/3500/4000/5000K CCT Adjustable | Blank = 120-277V | Blank = White | Blank = Smooth | /LCBS = Lightcloud Blue w/PIR & Photocell |