



<b>Project:</b>	<b>Type:</b>
<b>Prepared By:</b>	<b>Date:</b>

Driver Info		LED Info	
Type	Constant Current, Class A	Watts	21/17/10W
120V	0.20A	Color Temp	2700/3000/3500/4000/5000K
208V	N/A	Color Accuracy	90 CRI
240V	N/A	L70 Lifespan	50,000 Hours
277V	0.10A	Lumens	2,300/1,800/1,000 lm
Input Watts	21/17/10W	Efficacy	122.22/125.93/129.13 lm/W

**Technical Specifications**

**Performance**

**Product Type:**

Commercial Downlight

**Description:**

The CR commercial downlight offers best-in-class flexibility by adding universal dimming, which allows for both TRIAC & 0-10V dimming, making it a great choice for residential & commercial installations.

**Wattage Equivalency:**

52W CFL

**Input Wattage:**

21/17/10W

**Lumens:**

10W  
1,069lm @ 2700K; 1,093lm @ 3000K; 1,117lm @ 3500K; 1,134lm @ 4000K; 1,159lm @ 5000K

17W

1,855lm @ 2700K; 1,912lm @ 3000K; 1,963lm @ 3500K; 2,002lm @ 4000K; 2,013lm @ 5000K

21W

2,511lm @ 2700K; 2,596lm @ 3000K; 2,676lm @ 3500K; 2,732lm @ 4000K; 2,724lm @ 5000K

**Efficacy:**

10W  
121lm/W @ 2700K; 123lm/W @ 3000K; 126lm/W @ 3500K; 128lm/W @ 4000K; 131lm/W @ 5000K

17W

118lm/W @ 2700K; 121lm/W @ 3000K; 125lm/W @ 3500K; 127lm/W @ 4000K; 127lm/W @ 5000K

21W

124lm/W @ 2700K; 127lm/W @ 3000K; 133lm/W @ 3500K; 135lm/W @ 4000K; 134lm/W @ 5000K

**L70 Lifespan:**

50,000-Hour LED lifespan based on IES LM-70 results

**Electrical**

**Driver:**

Constant Current, Class A, 50/60 Hz, 120V-277V, 120V: 0.20A, 277V: 0.10A

**THD:**

≤20%

**Power Factor:**

≥0.9

**Dimmable:**

Yes, dimmable down to 10% on compatible TRIAC/ELV and 0-10V dimming systems. See Dimmer Compatibility List.

**Input Voltage:**

120-277V

**Operating Frequency:**

50/60Hz

**Input Current @ 120V (mA):**

200mA

**Input Current @ 277V (mA):**

95mA

**Operating Temperature:**

-4°F to 104°F (-20°C to 40°C)

**Flicker:**

≤30%

**LED Characteristics**

**Beam Angle:**

85°±10°

**Color Temperature:**

Field adjustable via dip switch  
2700/3000/3500/4000/5000K

**Color Accuracy (CRI):**

90 CRI

**R9 Value:**

High color performance with R9 greater than 50

## Technical Specifications (continued)

### Color Consistency:

<4-step MacAdam Ellipse binning to achieve consistent fixture-to-fixture color

### Color Stability:

LED color temperature is warrantied to shift no more than 200K in color temperature over a 5-year period

### Color Uniformity:

RAB's range of Correlated Color Temperature follows the guidelines of the American National Standard for Specifications for the Chromaticity of Solid State Lighting (SSL) Products, ANSI C78.377-2017.

## Installation

### Mounting:

Recessed

## Construction

### Size:

6"

### Shape:

Round

### Finish:

White

### Enclosure Material:

Metal

### Trim Style:

Smooth

### Lens Finish:

Frosted

### Lens:

Polycarbonate light diffuser distributes light evenly and smoothly for general lighting applications

## Compliance

### Trade Agreements Act Compliant:

This product is a product of Cambodia and a "designated country" end product that complies with the Trade Agreements Act

### Listings:

UL Listed, UL Classified

### Environment:

Suitable for use indoors and outdoors in dry, damp, or wet environments.

### IC Rated:

Suitable for direct contact with insulation. Type IC inherently protected, suitable for direct contact to air permeable insulation and cULus listed for damp locations. Not for use in direct contact with spray foam insulation, consult NEMA LSD57-2013.

### Air Tight:

Housing certified Air Tight as per ASTM E283

### Energy Star Approved:

This product is ENERGY STAR® Version 1.0 Certified.

### Energy Star ID:

3554276

### DLC Listed:

No

### Certification Model Number:

DLC1007(CR6)

### California Title 20 Compliant:

No

### California Title 24 JA8 Compliant:

Can be used to conform with the requirements of California Title 24 Part 6

### California Energy Commission (CEC) Status:

Lawful for Sales in California

### NEC Compliant:

Suitable for use in closets. Compliant with NEC Sec. 410.16 (A)(1) and 410.16 (C3).

### IESNA LM-79 & LM-80 Testing:

RAB LED luminaires and LED components have been tested by an independent laboratory in accordance with IESNA LM-79 and LM-80.

### RoHS:

Mercury and UV free. RoHS-compliant components.

### FCC:

Complies with Part 15 of the FCC Rules

## Other

### Compatible Products:

DLPLATE/WFR6/NB/CL

6" Mounting plate with nailer bar and drywall collar

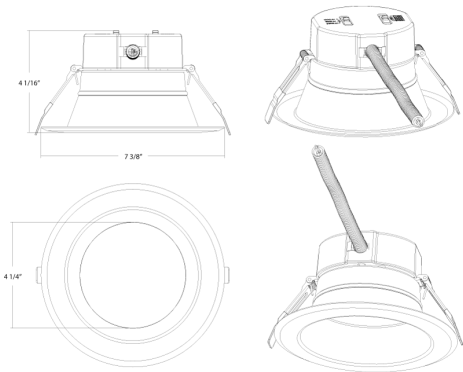
DRI-21-EMGR-DC-D10

Emergency driver T20

### Warranty:

RAB warrants that our LED products will be free from defects in materials and workmanship for a period of five (5) years from the date of delivery to the end user, including coverage of light output, color stability, driver performance and fixture finish. RAB's warranty is subject to all terms and conditions found at [rablighting.com/warranty](http://rablighting.com/warranty).

**Dimensions**



**Features**

- Universal dimming technology allows for both 120V TRIAC/ELV dimming and 0-10V dimming in 1 SKU for incredible design flexibility
- 3 selectable brightness levels & 5 selectable CCTs (2700/3000/3500/4000/5000K)
- Suitable for new construction & remodel installations
- Deep regress lens for optimal glare control
- Multiple accessories available, including color trims and new construction mounting plates

**Ordering Matrix**

Family	Size/Wattage	Shape	CRI/Color Temp	Driver	Finish	Trim
CR	6					
	4 = 4", 10/8/6W 6 = 6", 21/17/10W 8 = 8", 30/24/16W 10 = 10", 37/30/24W	Blank = Round	Blank = 90 CRI, 2700/3000/3500/4000/5000K CCT Adjustable	Blank = 120-277V, 0-10V + TRIAC/ELV	Blank = White	Blank = Smooth