



Project:	Type:
Prepared By:	Date:

Driver Info		LED Info	
Type	Constant Current	Watts	12/9/07W
120V	.11A	Color	3000/3500/4000/5000K
208V	.06A	Temp	
240V	.05A	Color Accuracy	90 CRI
277V	.05A	L70 Lifespan	50,000 Hours
Input Watts	12/9/07W	Lumens	1000/800/600 lm
		Efficacy	83/89/86 lm/W

Technical Specifications

Performance

Product Type:

Commercial Downlight

Description:

Wattage and CCT selectable commercial downlights for new construction and retrofit applications.

Wattage Equivalency:

14/11/8W CFL

Input Wattage:

12/9/7W

Lumens:

12W: 3000K @ 1,000lm; 3500K @ 1,040lm; 4000K @ 1,040lm; 5000K @ 1,020lm
 9W: 3000K @ 800lm; 3500K @ 830lm; 4000K @ 830lm; 5000K @ 820lm
 7W: 3000K @ 600lm; 3500K @ 630lm; 4000K @ 630lm; 5000K @ 620lm

Efficacy:

12W: 3000K @ 83lm/W; 3500K @ 87lm/W; 4000K @ 87lm/W; 5000K @ 85lm/W
 9W: 3000K @ 89lm/W; 3500K @ 92lm/W; 4000K @ 92lm/W; 5000K @ 91lm/W
 7W: 3000K @ 86lm/W; 3500K @ 90lm/W; 4000K @ 90lm/W; 5000K @ 89lm/W

L70 Lifespan:

50,000-Hour LED lifespan based on IES LM-70 results

Electrical

Driver:

Constant Current, Class 2, 60 Hz, 120V-277V, 120V: 0.11A, 277V: 0.05A

Dimming Driver:

Driver includes dimming control wiring for 0-10V dimming systems. Requires separate 0-10V DC dimming circuit. Dims down to 10%.

THD:

≤20%

Power Factor:

≥0.9

Dimmable:

Yes, 0-10V dims down to 10%. See Dimmer Compatibility List.

Input Voltage:

120-277V

Operating Frequency:

50/60Hz

Input Current @ 120V (mA):

110mA

Input Current @ 208V (mA):

60mA

Input Current @ 240V (mA):

315mA

Input Current @ 277V (mA):

46mA

Operating Temperature:

-4°F to 104°F (-20°C to 40°C)

Flicker:

≤30%

Color Temperature:

Field Adjustable via dip switch
 3000/3500/4000/5000K

LED Characteristics

Color Accuracy (CRI):

>90 CRI

R9 Value:

High color performance with R9 greater than or equal to 50

Technical Specifications (continued)**Color Consistency:**

4-step MacAdam Ellipse binning to achieve consistent fixture-to-fixture color

Color Stability:

LED color temperature is warranted to shift no more than 200K in color temperature over a 5-year period

Color Uniformity:

RAB's range of Correlated Color Temperature follows the guidelines of the American National Standard for Specifications for the Chromaticity of Solid State Lighting (SSL) Products, ANSI C78.377-2017.

Installation**Mounting:**

Recessed

Construction**Size:**

4"

Shape:

Round

Finish:

White

Enclosure Material:

Metal

Trim Style:

Smooth

Lens:

Polycarbonate light diffuser distributes light evenly and smoothly for general lighting applications

Cut Out Template Size:

4 5/16"

IC Rated:

Suitable for direct contact with insulation

Compliance**Listings:**

UL Listed, UL Classified

Environment:

Suitable for use in dry, damp, and wet environments.

Air Tight:

Housing certified Air Tight as per ASTM E283

Energy Star Approved:

This product is ENERGY STAR® Version 2.2 Certified.

DLC Listed:

No.

There is no product category on the Design Lights Consortium (DLC) Qualified Products List for this lamp to qualify under.

Certification Model Number:

DLC0054(CRLEDFA-4R-12S-9CCT-UNV-WS)

T20 Compliant:

Not compliant

California Title 24 JA8 Compliant:

Can be used to conform with the requirements of California Title 24 Part 6

California Energy Commission (CEC) Status:

Lawful for Sales in California

NEC Compliant:

Suitable for use in closets. Compliant with NEC Sec. 410.16 (A)(1) and 410.16 (C3).

IESNA LM-79 & LM-80 Testing:

RAB LED luminaires and LED components have been tested by an independent laboratory in accordance with IESNA LM-79 and LM-80.

RoHS:

Mercury and UV free. RoHS-compliant components.

FCC:

Complies with Part 15 of the FCC Rules

Trade Agreements Act Compliant:

This product is a product of Cambodia and a "designated country" end product that complies with the Trade Agreements Act

Other**Accessories:**

[DLPLATE/WFR3468/NB](#)

Mounting Plate w/nailer bar

[DL4-6GOOF/R/P/CRLEDFA](#)

Commercial Downlight 4"-6" Goof Ring

[DLTRIM/CRLEDFA4R-BNS](#)

4" Smooth Brushed Nickel Color Trim

[DLTRIM/CRLEDFA4R-BRS](#)

4" Smooth Bronze Color Trim

[DLTRIM/CRLEDFA4R-BS](#)

4" Smooth Black Color Trim

[DRI-25-EMGR-DC](#)

Emergency Back up Driver

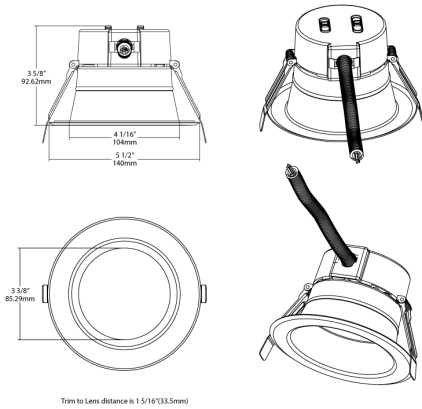
[DRI-21-EMGR-DC-D10](#)

Emergency backup driver

Warranty:

RAB warrants that our LED products will be free from defects in materials and workmanship for a period of five (5) years from the date of delivery to the end user, including coverage of light output, color stability, driver performance and fixture finish. RAB's warranty is subject to all terms and conditions found at rablighting.com/warranty.

Dimensions



Features

- Mounts directly into ceiling, no housing required
- Field-adjustable "set and forget" color temperature
- High-performance LEDs for commercial applications
- Meets air-tight requirements
- 0-10V dimming, see Dimmer Compatibility List
- Suitable for wet and damp locations
- Replacement for traditional compact fluorescent recessed downlights

Ordering Matrix

Family	Size	Shape	Wattage	CRI/Color Temp	Driver	Finish	Trim	Battery Backup
CRLEDFA	4	R	12S	9CCT	UNV	W	S	
	6 = 6" 8 = 8" 10 = 10" 4 = 4"	R = Round	24S = 24/19/15W Adjustable 43S = 43/37/32W Adjustable 33S = 33/29/25W Adjustable 22S = 22/16/11W Adjustable 16S = 16/12/9W Adjustable 12S = 12/9/7W Adjustable	9CCT = 90 CRI, 3000/3500/4000/5000K CCT Adjustable	UNV = 120-277V, 0-10V Dimming	W = White	S = Smooth	Blank = No Battery Backup /E = Battery Backup