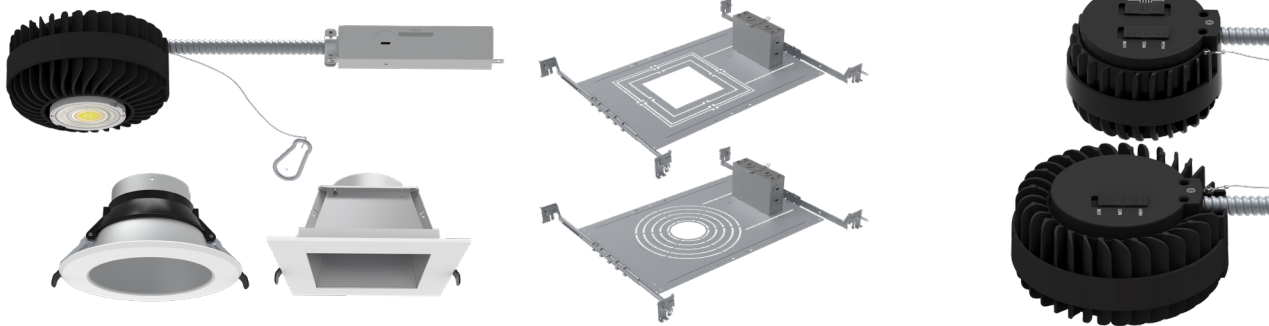


DEP G2

LED Commercial Downlight Series Gen 2

PERFORMANCE XP

Due to continuous product improvements, specification and/or equipment updates may change without notice.



(Images are shown for illustration purposes only)

DEP G2 Commercial Downlight

(Pictured with Trim (Round & Square) and Housing (Round & Square))

(Selectable Lumen and CCT Switches)

The **DEP G2 Series of LED Commercial Downlights** delivers on high performance and high selectability, reducing SKUs and costly ordering mistakes. 45 downlights in 1 fixture including selectable beam angle, selectable lumen output, and selectable color output - the DEP G2 is a one-and-done approach solution for commercial downlights offering round and square trim that easily “clicks” into place and easy installation options for retrofit and new construction applications. No more hassle - no more guess work - and no more costly downlights; the DEP G2 series delivers on every front with nothing left behind.

Catalogue

Catalog Number	Description	Selectable Lumens	Selectable Watts	Selectable CCT	Voltage
DEP LS15 SD G2 9FSK	LED Commercial Downlight, Gen 2, Power Selectable, 24°-45° Adjustable Beam Angle, Selectable CCT	750 - 1,500 Lm	10 - 20 W	2700K - 5000K	120-277V
DEP LS21 SD G2 9FSK	LED Commercial Downlight, Gen 2, Power Selectable, 24°-45° Adjustable Beam Angle, Selectable CCT	1,500 - 2,100 Lm	20 - 30 W	2700K - 5000K	120-277V
DEP LS35 SD G2 9FSK	LED Commercial Downlight, Gen 2, Power Selectable, 35°-55° Adjustable Beam Angle, Selectable CCT	2,400 - 3,500 Lm	30 - 50 W	2700K - 5000K	120-277V
DEP LS60 SD G2 935K	LED Commercial Downlight, Gen 2, Power Selectable, 35°-55° Adjustable Beam Angle, 3500K CCT	4,000 - 6,000 Lm	40 - 60 W	3500K	120-277V
DEP LS60 SD G2 940K	LED Commercial Downlight, Gen 2, Power Selectable, 35°-55° Adjustable Beam Angle, 4000K CCT	4,000 - 6,000 Lm	40 - 60 W	4000K	120-277V

Specifications

Housing

Integrated J-box with superior LED light engine can be customized with round and square trim.

Operate Temperature

-25° C to 40° C (-13° F to 104° F).

Electrical

Standard 120-277V

Lifespan

L70 > 50,000 Hours @ 25°C

CCT and CRI

LS15/LS21/LS35: 2700K-5000K Selectable CCT
LS60: 3500K & 4000K CCT 90 CRI

Lumen Output

750 Lm - 6,000 Lm

Wattage

10W - 60W

Efficacy

Up to 110 Lm/W

Optics

LS15/LS21: Selectable - 24-45° Beam Angle
LS35/LS60: Selectable - 35-55° Beam Angle

Warranty

5-year limited warranty. Comprehensive warranty terms can be located on www.slgus.com.

Certifications

ETL listed, Energy Star certified, suitable for wet locations (non conductive trim).

Dimming

LS15/LS21: 0-10V Dimming, TRIAC/ELV Dimming
LS35/LS60: 0-10V Dimming only.

Mounting

Retrofit or New Construction Housing

IC Rated

Suitable for direct contact with insulation. Type IC inherently

protected, suitable for direct contact to air permeable insulation and cULus listed damp locations. Not for use in direct contact with spray foam insulation, consult NEMA LSD57-2013. *The DEP LS15 SD G2 is IC rated, all other models are not.*

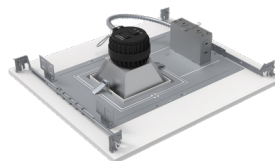
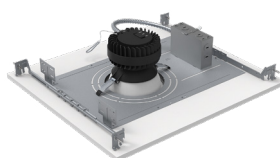
Ordering Guide

Luminaire Type	Selectable Lumen Output	Distribution	Generation	Selectable CCT	Dimming	Accessories - Trim	Accessories - Other
<ul style="list-style-type: none"> • DEP Commercial Downlight 	<ul style="list-style-type: none"> • LS15 750 Lm / 10W 1,100 Lm / 15W 1,500 Lm / 20W • LS21 1,500 Lm / 20W 1,800 Lm / 25W 2,100 Lm / 30W • LS35 2,400 Lm / 30W 3,000 Lm / 40W 3,500 Lm / 50W • LS60 4,000 Lm / 40W 5,000 Lm / 50W 6,000 Lm / 60W 	<ul style="list-style-type: none"> • SD Selectable Distribution (24-45°) • SD Selectable Distribution (35-55°) 	<ul style="list-style-type: none"> • G2 Second Generation 	<ul style="list-style-type: none"> • 9FSK 90 CRI - Field selectable 2700K/3000K/3500K/ 4000K/500K CCT • 935K 3500K CCT • 940K 4000K CCT 	<ul style="list-style-type: none"> • BLANK Tri-Mode (TRIAC, ELV, & 0-10V Dim off) • BLANK 0-10V Dim off 	<ul style="list-style-type: none"> • BLANK None • DT 4R G2 HW Downlight Round Trim 4" • DT 6R G2 HW Downlight Round Trim 6" • DT 8R G2 HW Downlight Round Trim 8" • DT 10R G2 HW Downlight Round Trim 10" • DT 4S G2 HW Downlight Square Trim 4" • DT 6S G2 HW Downlight Square Trim 6" • DT 8S G2 HW Downlight Square Trim 8" 	<ul style="list-style-type: none"> • DE 3/4/6/8/10R HOUSING New Construction Univesal Housing compatible with 3"/4"/6"/8"/10" Round Downlight • DE 4/6/8S HOUSING New Construction Univesal Housing compatible with 4"/6"/8" Square Downlight • DT GR 4R W Downlight Goof Ring 4" Round • DT GR 6R W Downlight Goof Ring 6" Round • DT GR 8R W Downlight Goof Ring 8" Round • DT GR 10R W Downlight Goof Ring 10" Round • EMA-DH08D-UNV-170 Emergency Battery Backup, 8W, 100-277V AC Input, 170V DC output, for 0-10V Dimming Fixture

Performance Information

Series Number	Lumens	Wattage	CCT
DEP G2 LS15	750 Lm	10 W	2700K / 3000K / 3500K 4000K/5000K
	1,100 Lm	15 W	
	1,500 Lm	20 W	
DEP G2 LS21	1,500 Lm	20 W	2700K / 3000K / 3500K 4000K/5000K
	1,800 Lm	25 W	
	2,100 Lm	30 W	
DEP G2 LS35	2,400 Lm	30 W	2700K / 3000K / 3500K 4000K/5000K
	3,000 Lm	40 W	
	3,500 Lm	50 W	
DEP G2 LS60	4,000 Lm	40 W	3500K & 4000K
	5,000 Lm	50 W	
	6,000 Lm	60 W	

Accessories



DT 4/6/8/10R G2 HW

Commercial Downlight Round Trim, Haze Inner Reflector & White Flange, in 4, 6, 8, and 10 inch sizes.

DT 4/6/8S G2 HW

Commercial Downlight Square Trim, Haze Inner Reflector & White Flange, in 4, 6, and 8 inch sizes.

DE 3/4/6/8/10R HOUSING

New Construction Universal Housing compatible with 3"/4"/6"/8"/10" Round Downlight with emergency backup brackets and hanger bars.

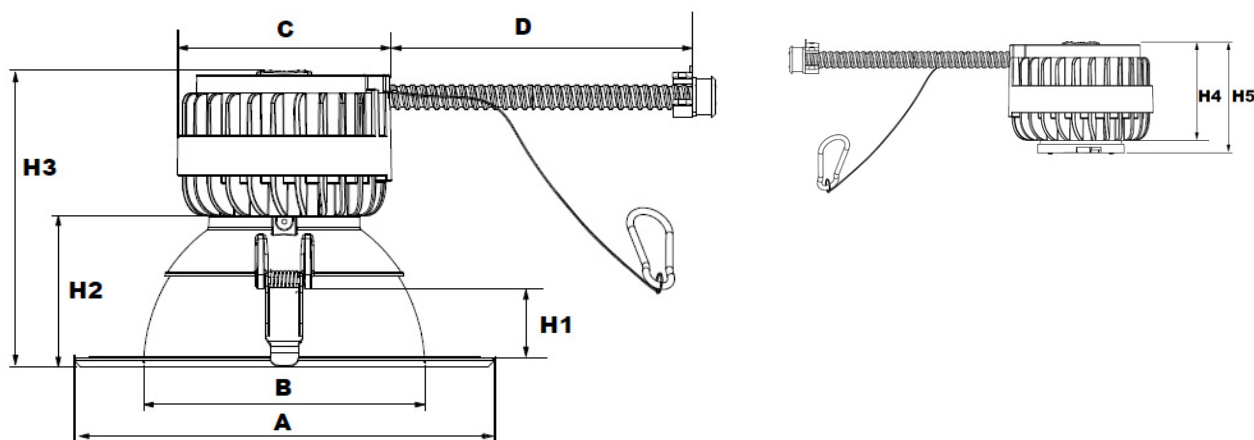
DE 4/6/8S HOUSING

New Construction Universal Housing compatible with 4"/6"/8" Square Downlight with emergency backup brackets and hanger bars.

DT GR 4/6/8/10R W

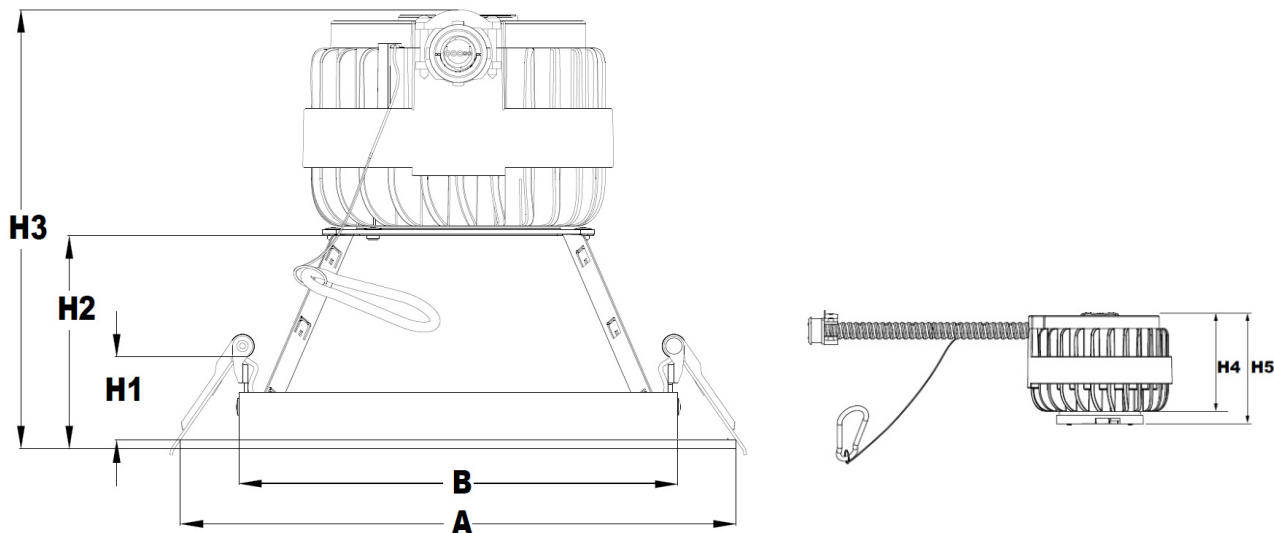
Downlight Goof Ring for 4, 6, 8, and 10 inch round fixtures.

Dimensions (Round Trim)



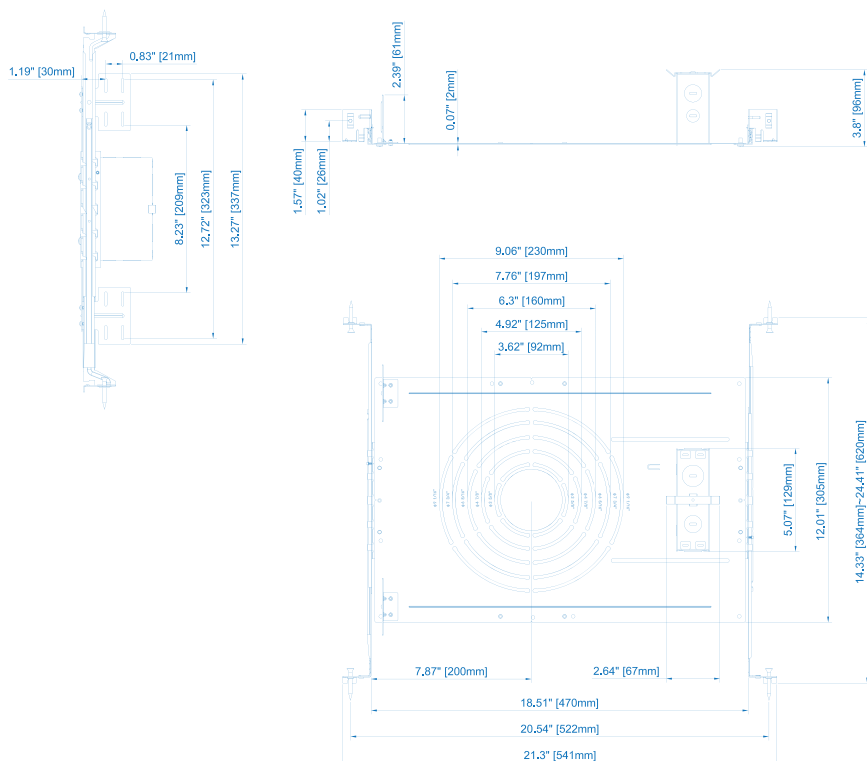
Items	DEP LS15 / LS21				DEP LS36/LS60		
	4"	6"	8"	10"	6 IN	8 IN	10 IN
Reflector	4"	6"	8"	10"	6 IN	8 IN	10 IN
A - Trim Diameter	6"	7.5"	9.1"	10.66"	7.5"	9.1"	10.66"
B - Aperture Diameter	4.15"	5.65"	7.25"	8.66"	5.65"	7.25"	8.66"
C - Overall Module	4.35"				5.55"		
D - Flexible Conduit w/Whip	26"						
H1 - Ceiling Thickness	1.2"						
H2 - Regress Height	2.56"	3.03"	3.83"	4.31"	3.03"	3.83"	4.31"
H3 - Height Assembled	5.35"	5.85"	6.65"	7.16"	5.85"	6.65"	7.16"
H4	2.85"						
H5 - Height Module	3.21"						
Cut-out	Φ 4.8-5.5"	Φ 6.3-7"	Φ 7.9-8.7"	Φ 8.7-10"	Φ 6.3-7"	Φ 7.9-8.7"	Φ 8.7-10"

Dimensions (Square Trim)

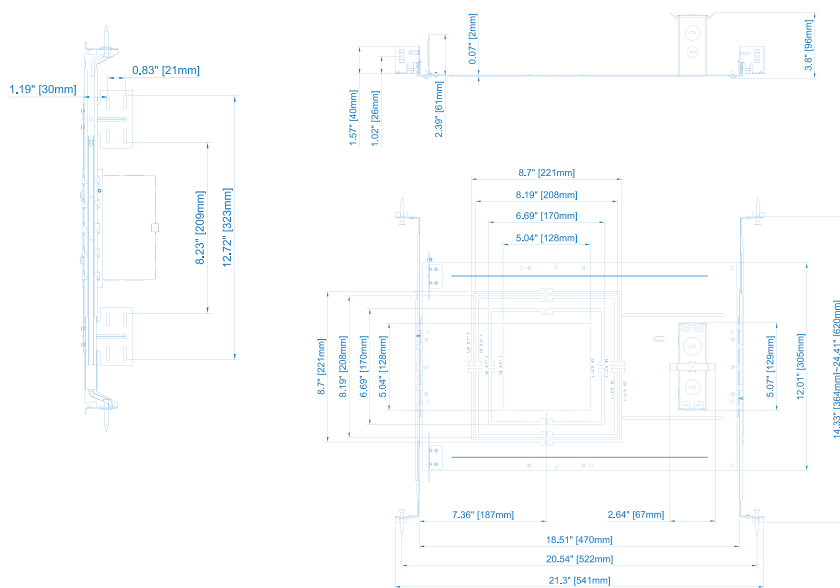


Items	DEP LS15 / LS21			DEP LS36/LS60	
Reflector	4"	6"	8"	6 IN	8 IN
A - Trim Diameter	5.9"	7.7"	9.4"	7.7"	9.4"
B - Aperature Diameter	3.58"	5.43"	7.95"	5.43"	7.95"
D - Flexible Conduit w/Whip	26"				
H1 - Ceiling Thickness	1"				
H2 - Regress Height	3"	3.03"	3.82"	3.03"	3.82"
H3 - Height Assembled	5.98"	6.02"	6.81"	6.02"	6.81"
H4	2.85"				
H5 - Height Module	3.21"				
Cut-out	φ 4.8-5.3"	φ 6.5-7.3"	φ 8.5-8.9"	φ 6.5-7.3"	φ 8.5-8.9"

Dimensions (DE 3/4/6/8/10R HOUSING)



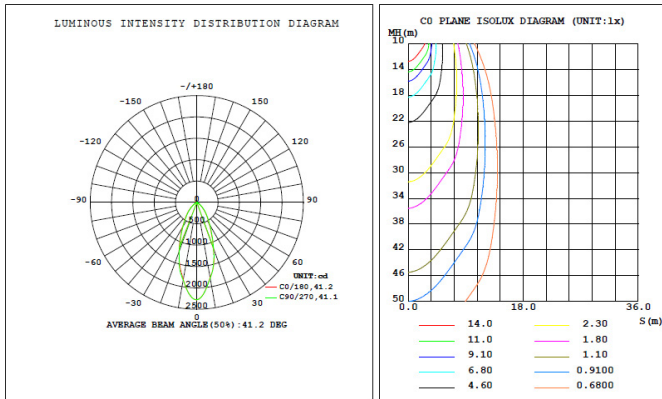
Dimensions (DE 4/6/8S HOUSING)



Photometrics

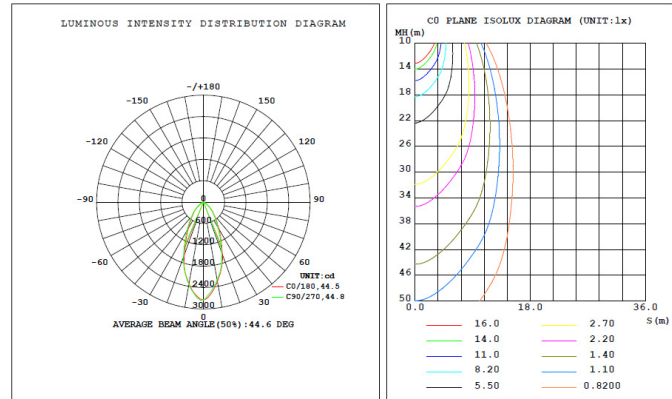
DEP LS15 SD G2 9FSK - 30K

DATA OF LAMP		PHOTOMETRIC DATA				Eff: 85.20 lm/W
MODEL		Imax (cd)	2277	S/MH (C0/180)	0.67	
NOMINAL POWER (W)	20	LOR (%)	100.0	S/MH (C90/270)	0.67	
RATED VOLTAGE (V)	120	TOTAL FLUX (lm)	1645.1	η UP, DN (C0-180)	0.0, 48.6	
NOMINAL FLUX (lm)	1645.08	CIE CLASS	DIRECT	η UP, DN (C180-360)	0.0, 51.4	
LAMPS INSIDE	1	η up (%)	0.0	CIBSE SHR NOM	0.50	
TEST VOLTAGE (V)	120	η down (%)	100.0	CIBSE SHR MAX	0.70	



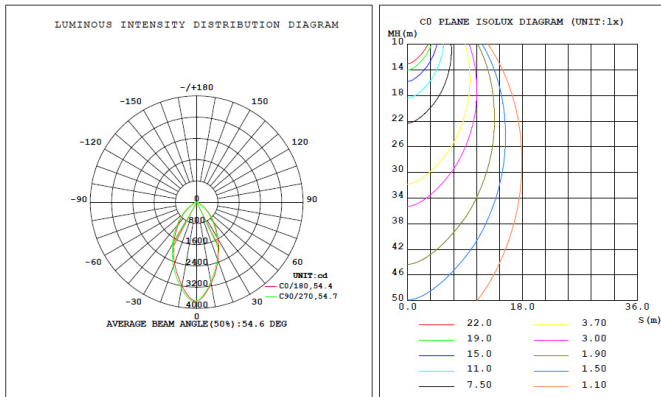
DEP LS21 SD G2 9FSK - 30K - DT 6R G2 HW

DATA OF LAMP		PHOTOMETRIC DATA				Eff: 77.31 lm/W
MODEL		Imax (cd)	2758	S/MH (C0/180)	0.70	
NOMINAL POWER (W)	30	LOR (%)	100.0	S/MH (C90/270)	0.73	
RATED VOLTAGE (V)	120	TOTAL FLUX (lm)	2196.6	η UP, DN (C0-180)	0.0, 48.5	
NOMINAL FLUX (lm)	2196.61	CIE CLASS	DIRECT	η UP, DN (C180-360)	0.0, 51.5	
LAMPS INSIDE	1	η up (%)	0.0	CIBSE SHR NOM	0.75	
TEST VOLTAGE (V)	120	η down (%)	100.0	CIBSE SHR MAX	0.75	



DEP LS35 SD G2 9FSK - 30K DT 8R G2 HW

DATA OF LAMP		PHOTOMETRIC DATA				Eff: 80.87 lm/W
MODEL		Imax (cd)	3739	S/MH (C0/180)	0.80	
NOMINAL POWER (W)	50	LOR (%)	100.0	S/MH (C90/270)	0.84	
RATED VOLTAGE (V)	120	TOTAL FLUX (lm)	3996.3	η UP, DN (C0-180)	0.0, 47.0	
NOMINAL FLUX (lm)	3996.27	CIE CLASS	DIRECT	η UP, DN (C180-360)	0.0, 53.0	
LAMPS INSIDE	1	η up (%)	0.0	CIBSE SHR NOM	0.75	
TEST VOLTAGE (V)	120	η down (%)	100.0	CIBSE SHR MAX	0.90	



DEP LS60 SD G2 935K - 35K (No Reflector)

DATA OF LAMP		PHOTOMETRIC DATA				Eff: 113.66 lm/W
MODEL		Imax (cd)	6215	S/MH (C0/180)	0.81	
NOMINAL POWER (W)	60	LOR (%)	100.0	S/MH (C90/270)	0.83	
RATED VOLTAGE (V)	120	TOTAL FLUX (lm)	6832.3	η UP, DN (C0-180)	0.0, 47.4	
NOMINAL FLUX (lm)	6832.33	CIE CLASS	DIRECT	η UP, DN (C180-360)	0.0, 52.6	
LAMPS INSIDE	1	η up (%)	0.0	CIBSE SHR NOM	0.75	
TEST VOLTAGE (V)	120	η down (%)	100.0	CIBSE SHR MAX	0.90	

