

# H Series

Project:	Type:
Product Code:	Date:

V 120825



## 4" Downlighting

**Optimized for Versatile Applications** Brilliant illumination and reliable performance for your entire space

**Brightness Switch** Easily select level of illumination with the flip of a switch

**True to Life Colors** Accurate color rendering means every detail, finish, and person in your space appears exactly as it should

### INSTALLATION

#### Ceiling Thickness

New Construction: 1/2" to 5/8"

Fire/Plenum Rated/Chicago Plenum Rated:  
1/2" to 1 3/4"

Surface Frame: 0" up to 1 1/2"

Remodel: 5/8" up to 1 1/4"

#### Ceiling Material

Drywall

### TRIMS

#### Aperture

4"

#### Style

Round, Square, Flush, Adjustable, Flangeless

#### Finish

White, Black

### MAINTENANCE

The driver and LED chip are embedded within the module for fully touch safe replacement from below the ceiling.

### LIGHT OUTPUT & DISTRIBUTION

#### Module

Downlight

#### Lumens (Power)

Integrated Brightness Switch  
350 lm (5W), 750 lm (9W), 950lm (12W)

#### Color Quality

90+ CRI, 3-step SDCM

#### Color Temperature

- 2700K
- 3000K
- Warm Dim (3000K – 2200K)

#### Beam Spread

General (90°+)

#### Warranty

5 year limited warranty; 50,000 hours

### POWER & CONTROLS

#### Input Voltage

120 V

#### Dimming

TRIAC/ELV (5%)

### RATINGS & CERTIFICATIONS

#### Housing

- IC (Insulation Contact) Rated
- ASTM E283 Certified Air Tight
- RoHS Compliant
- Code Compliant for use in Fire Rated Assemblies up to a maximum of 2-hours (Option), Chicago Plenum (Option)

#### Module and Trim

- UL Listed for Wet Location (Adjustable Trim & Flangeless Damp Only)
- NSF Listed





**DMF LightSpeed**  
Our Quickest Shipping Selections are Highlighted for shipping in **2 days or less**  
*All other items qty 100 or less ship in 3 days or less*

### PRODUCT BUILDER - EMBEDDED TRIAC/ELV

#### STANDARD HOUSINGS (POLYCARBONATE)

EXAMPLE: **H4BH**

PRODUCT CODE		APPLICATION	
<b>H4</b>			
<b>H4</b>	4" Housing	<b>BH</b>	Standard New Construction <sup>1</sup>
		<b>RM</b>	Remodel

#### PLENUM RATED HOUSING OPTIONS (METAL)

PRODUCT CODE	
<b>M4NCRS</b>	New Construction Round Standard Housing <sup>2</sup>
<b>M4NCRF</b>	New Construction Round Fire Rated Housing <sup>2</sup>
<b>M4CPRS</b>	Chicago Plenum Rated Housing <sup>2</sup>
<b>F4NC</b>	New Construction Fire Rated/Fan Rated Shallow Junction Box <sup>2,3</sup>

#### ACCESSORIES (REQUIRED FOR PLENUM RATED HOUSINGS)

PRODUCT CODE	
<b>DRD2X-QCM-HW</b>	
<b>DRD2X-QCM-HW</b>	Hardwire Adaptor Cable <sup>4</sup>

<sup>1</sup> Barhangers allow horizontal adjustment for 8" - 24" joist spacing but no vertical adjustment

<sup>2</sup> Requires Accessory Adaptor: DRD2X-QCM-HW

<sup>3</sup> Only compatible with Flush (H4TRFxx) trim

#### H MODULE

EXAMPLE: **HM30**

PRODUCT CODE		CCT	
<b>HM</b>			
<b>HM</b>	90+ CRI General Ambient with Brightness Switch <i>Brightness Switch: 950 lm, 750 lm, or 350 lm</i>	<b>27</b>	2700K
		<b>30</b>	3000K
		<b>3C</b>	Warm Dim (3000K-2200K)

#### FLANGED TRIM

EXAMPLE: **H4TRSWH**

PRODUCT CODE		SHAPE		STYLE		FINISH	
<b>H4T</b>							
<b>H4T</b>	4" Trim	<b>R</b>	Round	<b>S</b>	Recessed	<b>WH</b>	White
		<b>S</b>	Square <sup>5</sup>	<b>F</b>	Flush	<b>BK</b>	Black
				<b>A</b>	Adjustable <sup>6</sup>		

<sup>4</sup> Required for installation in metal housings

<sup>5</sup> Only available in Recessed style

<sup>6</sup> Max tilt 40, damp listed only

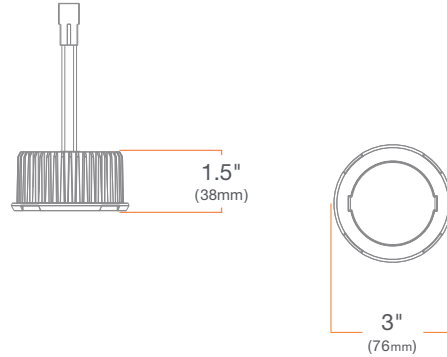
#### FLANGELESS TRIM (INCLUDES MUDPLATE)

PRODUCT CODE		SHAPE		SIZE		FINISH		OPTION	
<b>HCLT</b>				<b>4</b>				<b>FL</b>	
<b>HCLT</b>	Trim	<b>R</b>	Round	<b>4</b>	4"	<b>WH</b>	White	<b>FL</b>	Flangeless
		<b>S</b>	Square			<b>BK</b>	Black		

#### HOUSING COMPATIBILITY

The H Series luminaire recessed housings (H4BH, H4RM) are UL Certified and intended for use with the H Series module (HM27, HM30, HM3C) or other certified 4" retrofit conversion kits (light source) that meet the following criteria: maximum height 3-3/8", maximum wattage 13W.

### MODULE



### SUMMARY

	STATIC CCT	WARM DIM
<b>CCT</b>	3000K, 2700K	3000K - 2200K
<b>LUMENS (POWER)</b>	Brightness Switch 350 lm (5W), 750 lm (9W), 950lm (12W)	Brightness Switch 350 lm (5W), 750 lm (9W), 950lm (12W)
<b>EFFICACY</b>	70 lm/W, 83 lm/W, 79 lm/W	70 lm/W, 83 lm/W, 79 lm/W
<b>COLOR QUALITY</b>	90+ CRI <sup>1</sup> , 3-step SDCM	90+ CRI <sup>1</sup> , 3-step SDCM
<b>BEAM SPREAD</b>	General Ambient (90°)	General Ambient (90°)
<b>DIMMING</b>	TRIAC/ELV (5%)	TRIAC/ELV (5%)
<b>LED CHIP</b>	Cree	Bridgelux
<b>LISTINGS</b>	ENERGY STAR <sup>®</sup> Qualified <sup>2</sup> , California Title 24 2016-2022 JA8-E compliant, UL Listed for Wet Location, UL Certified US-CA, Declare, RoHS compliant, NSF/ANSI 2 listed, Suitable for splash-zone <sup>3</sup> , shatter-resistant construction	

<sup>1</sup> Tested in accordance to IESNA LM-79-2008

<sup>2</sup> Refer to ENERGY STAR Certified light fixtures database

<sup>3</sup> This product is evaluated in accordance to NSF/ANSI 2 for Splash Zones having designated trim finishes.

### ADDITIONAL

**INPUT VOLTAGE:** 120V, 50/60Hz

**MAX INPUT CURRENT (120V):** 0.13 amps

**CONNECTOR:** PowerPlug<sup>®</sup> Luminaire Disconnect Model 182

**POWER FACTOR:** Greater than 0.9

**TOTAL HARMONIC DISTORTION:** Less than 20%

**AMBIENT OPERATING TEMPERATURE:** -20°C to 40°C

**WARRANTY:** 5 year limited warranty; 50,000 hours at 70% lumen maintenance

### HOUSING



## H Series

4" New Construction (Polycarbonate)

**H4BH**

### SUMMARY

#### JUNCTION BOX:

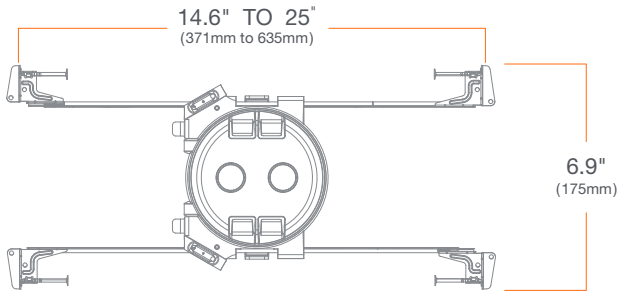
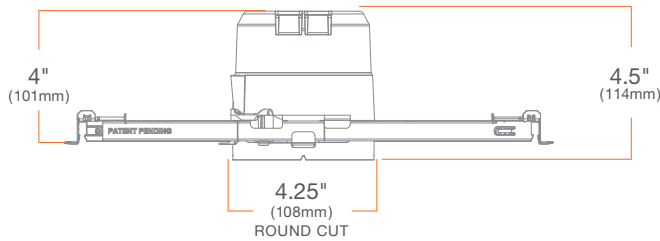
Equipped with 6 knockouts: two 1/2" trade size knockouts and four romex knockouts on top: Approved for 8 (four in, four out) #12 AWG 70°C. DRD2X-QCM-HW Hardwire Adaptor Cable included in housing

**BAR HANGER MOUNTING:** Pre-installed mounting brackets allow for adjustment between 14 5/8" and 24" joist spacing and come equipped with nails compatible with wood joist installation. Barhangers may also be removed to allow for the housing to be attached directly to a joist with (2) screws (not provided)

**CEILING THICKNESS RANGE:** Pre-installed mounting brackets do not allow for vertical adjustment and only accommodate ceiling thicknesses 1/2" up to 5/8"

**CUTOUT:** 4 1/4" (108mm) round opening

**LISTINGS:** ASTM E283 certified Air Tight, IC (Insulation Contact) rated



## HOUSING



## H Series

4" Remodel (Polycarbonate)

**H4RM**

### SUMMARY

**JUNCTION BOX:**

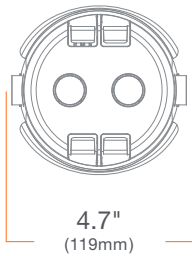
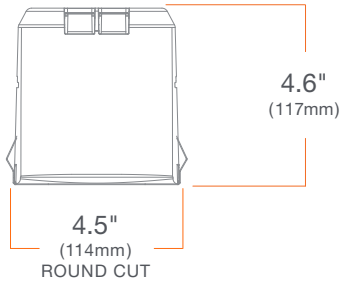
Equipped with 6 knockouts: two 1/2" trade size knockouts and four romex knockouts on top: Approved for 8 (four in, four out) #12 AWG 70°C. DRD2X-QCM-HW Hardwire Adaptor Cable included in housing

**MOUNTING:** Pre-installed mounting spring clips

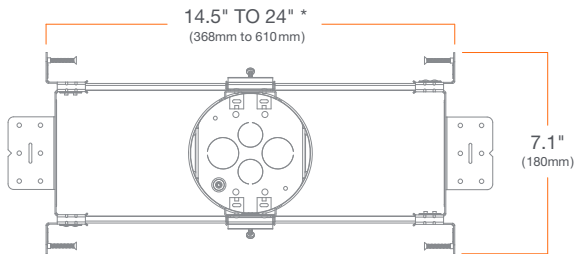
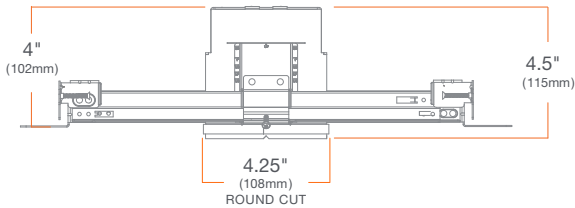
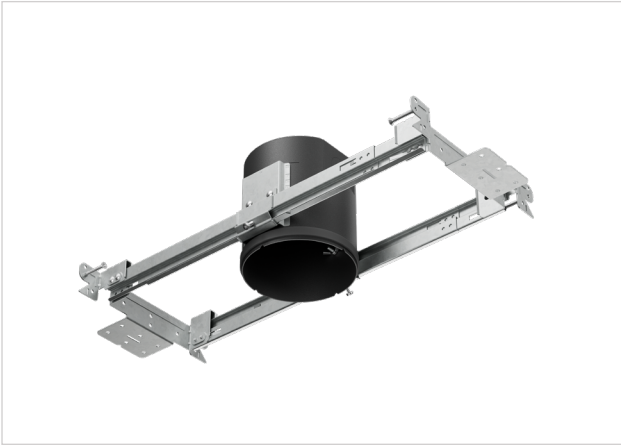
**CEILING THICKNESS RANGE:** 5/8" up to 1 1/4"

**CUTOUT:** 4 1/2" (114mm) and 3 5/8" round opening

**LISTINGS:** ASTM E283 certified Air Tight, IC (Insulation Contact) rated



## HOUSING



\* Can be field cut to minimum 7 1/2" (191mm) for a range of 7 1/2" (191mm) - 24" (610mm)

## Plenum Rated

4" New Construction (Metal)

**M4NCRS (Standard)**

**M4NCRF (Fire Rated)**

**M4CPRS (Chicago Plenum Rated)**

### SUMMARY

**JUNCTION BOX:** Equipped with 10 knockouts: two 1/2" and two 3/4" trade size knockouts on top, two 1/2" trade size knockouts on side, four romex knockouts on top. Approved for 8 (four in, four out) #12 AWG 70°C.

**MOUNTING:** Adjustable Bar Hangers compatible with traditional joists, Armstrong™, Hat Channel, and T-Bar can accommodate the following spacing:

Standard Version (Deep): 7 1/2" to 24" Joist spacing

**CEILING:** Pre-installed mounting brackets allow vertical adjustment of bar hangers up to 1 1/4"

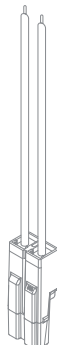
Standard Version (Deep): 1/2" to 1 3/4"

**CUTOUT:** 4 1/4" (108mm) round opening

**LISTINGS:** Metallic outlet box certified UL514A, code compliant for use in appropriate fire-rated assemblies for up to 2-hours (Fire Rated only), STC/IIC Sound Rated, ASTM E283 certified Air Tight, IC (Insulation Contact) Rated, Compliant to FCC Title 46 Part 15; Class B, Suitable for Use in Air-Handling Space – Complies with UL2043

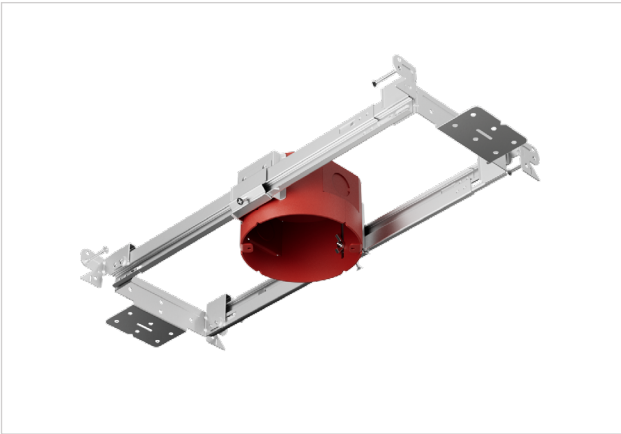
## Hardwire Adaptor Cable\*\*

**DRD2X-QCM-HW**



\*\* Required for module compatibility

## HOUSING



## SurfaceFrame

4" New Construction

Fire Rated/Fan Rated Junction Box

**F4NC**

### SUMMARY

**JUNCTION BOX:** Equipped with (4) 1/2" trade size knockouts (two side, two top) to allow straight conduit runs. Approved for 6 (three in, three out) #12 AWG 70°C through wiring conductors.

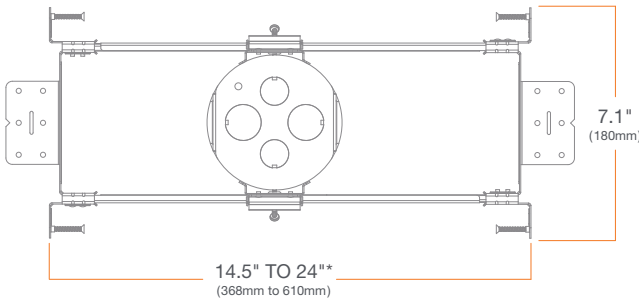
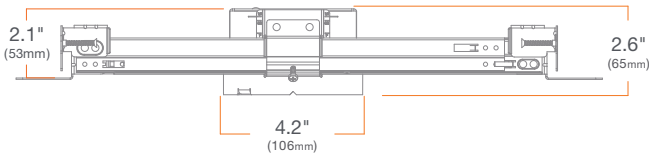
**MOUNTING:** Pre-installed mounting brackets allow for adjustment between 14 and 24" joist spacing.

**CEILING:** Bar Hangers allow for vertical adjustment 0 up to 1 1/2"

**CUTOUT:** 4 3/16" (106mm) round opening

**LISTINGS:** Metallic outlet box certified UL514A, code compliant for use in appropriate fire-rated assemblies for up to 2-hours, STC/IIC Sound Rated, ASTM E283 certified Air Tight, IC (Insulation Contact) rated. Suitable for Use in Air-Handling Space Complies with UL2043. Fan Rated in the United States for up to 35lbs and 16" spacing only when installed in joist or stud. Must install with all six screws (factory installed)

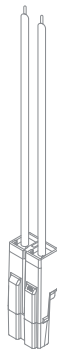
**TRIM COMPATIBILITY:** Flush Mount Only - H4TRFxx



\* Can be field cut to minimum 7 1/2" (191mm)

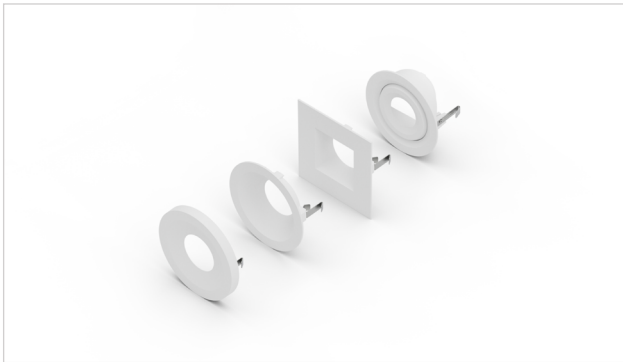
## Hardwire Adaptor Cable\*\*

**DRD2X-QCM-HW**



\*\* Required for module compatibility

TRIMS



H Series

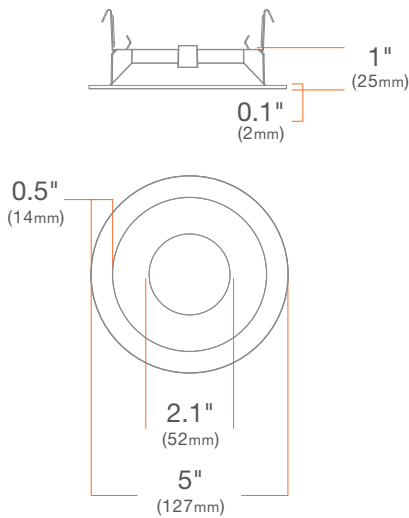
Flanged Trims

SUMMARY

CONSTRUCTION: Die-cast aluminum

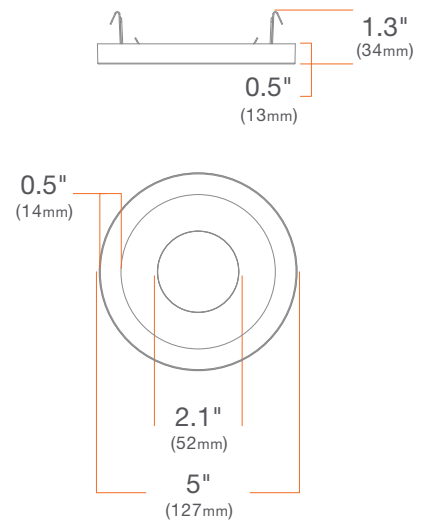
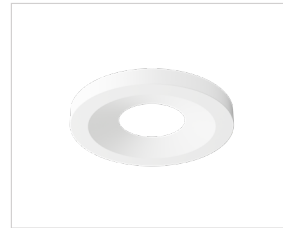
4" Round

H4TRSWH



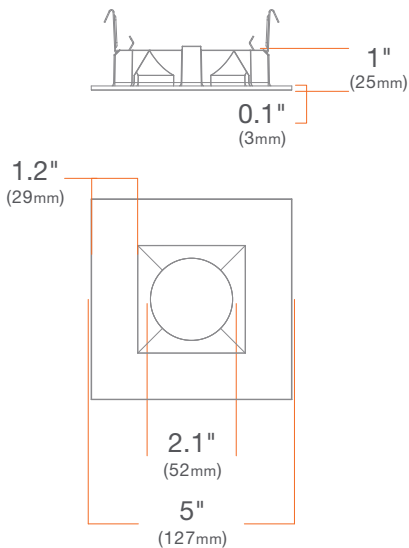
4" Flush

H4TRFWH



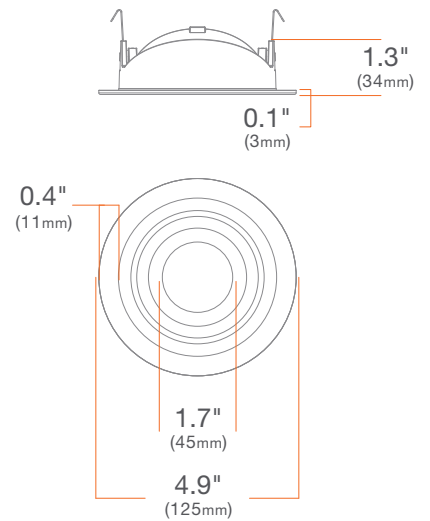
4" Square

H4TSSWH

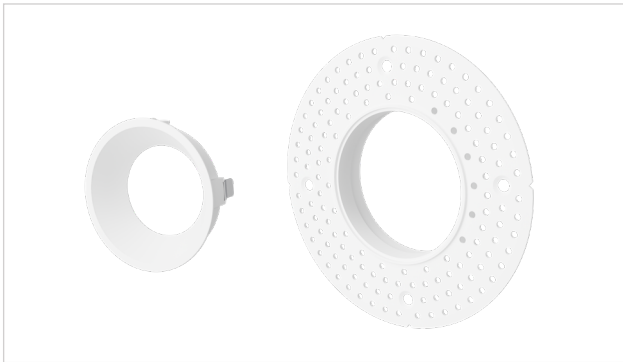


4" Adjustable

H4TRAWH



TRIMS



H Series

Flangeless Trims

SUMMARY

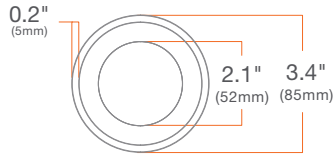
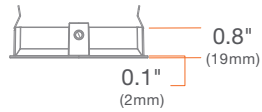
**CONSTRUCTION:** Die-cast aluminum

Round Flangeless

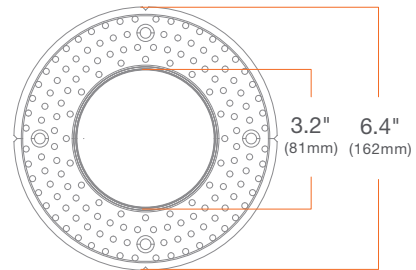
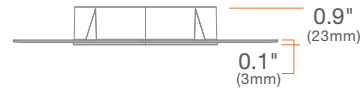
HCLTR4WHFL



TRIM



MUDPLATE

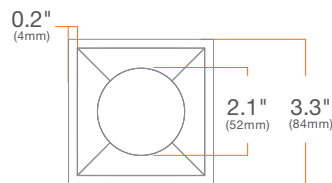
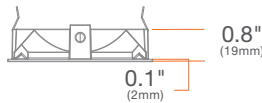


Square Flangeless

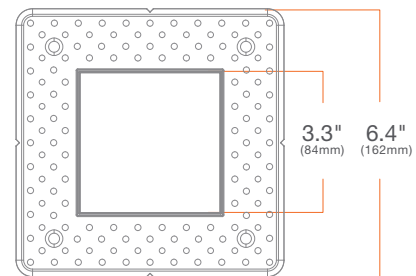
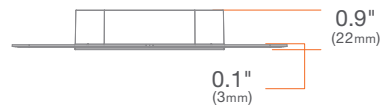
HCLTS4WHFL



TRIM



MUDPLATE

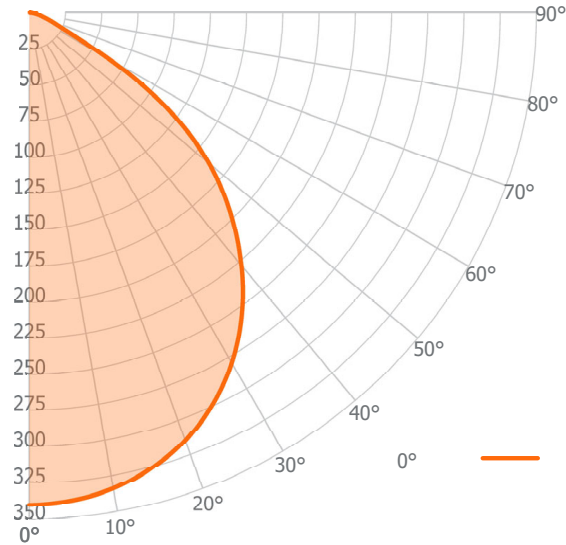


### PHOTOMETRY

#### HM30 750 lm

##### H4TRSWH

Candela Distribution



Luminous Intensity

Angle	Luminous Intensity (cd)
0°	340
5°	338
10°	334
15°	326
20°	315
25°	299
30°	280
35°	256
40°	228
45°	197
50°	162
55°	118
60°	63
65°	26
70°	15
75°	9
80°	5
85°	2
90°	0

Zonal Lumen Summary

Zone	Lumens	Luminaire %
0° - 30°	262	36%
0° - 40°	421	59%
0° - 60°	676	94%
0° - 90°	718	100%
0° - 180°	720	100%

Illuminance Chart

Distance from LED	Foot Candles	Diameter
3 ft	37.8 fc	6.9 ft
6 ft	9.5 fc	13.7 ft
9 ft	4.2 fc	20.6 ft
12 ft	2.4 fc	27.5 ft

Input Watts: **9.0 W**

Lumens: **720 lm**

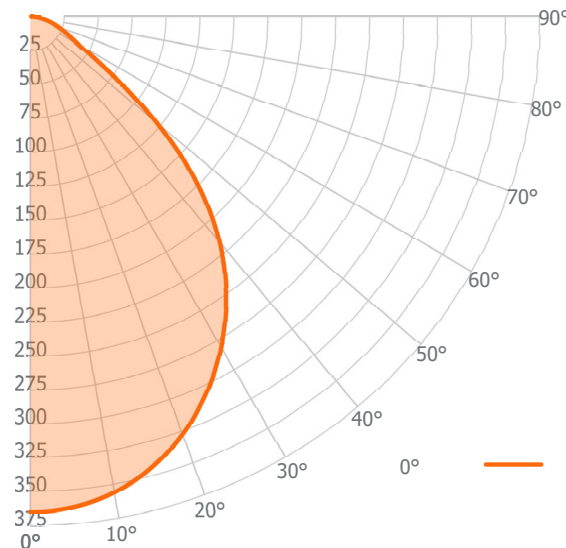
Efficacy: **80 lm/W**

Beam Angle: **98°**

#### HM30 750 lm

##### H4TSSWH

Candela Distribution



Luminous Intensity

Angle	Luminous Intensity (cd)
0°	365
5°	363
10°	356
15°	344
20°	328
25°	306
30°	281
35°	251
40°	217
45°	174
50°	121
55°	71
60°	42
65°	30
70°	22
75°	15
80°	9
85°	5
90°	1

Zonal Lumen Summary

Zone	Lumens	Luminaire %
0° - 30°	272	40%
0° - 40°	429	63%
0° - 60°	627	92%
0° - 90°	679	100%
0° - 180°	680	100%

Illuminance Chart

Distance from LED	Foot Candles	Diameter
3 ft	40.6 fc	5.8 ft
6 ft	10.1 fc	11.6 ft
9 ft	4.5 fc	17.4 ft
12 ft	2.5 fc	23.2 ft

Input Watts: **9.0 W**

Lumens: **680 lm**

Efficacy: **76 lm/W**

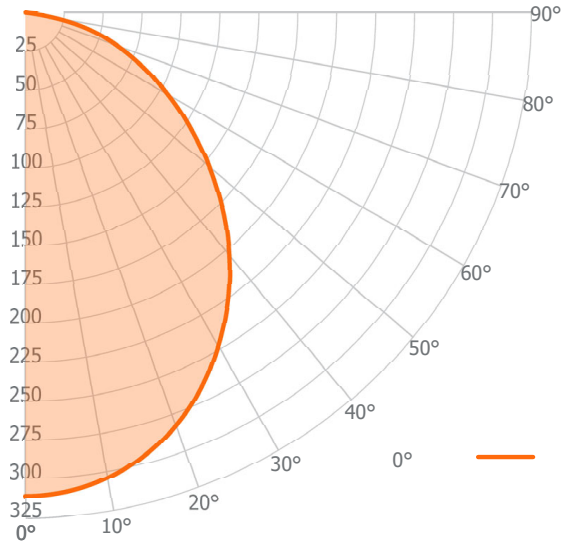
Beam Angle: **88°**

### PHOTOMETRY

#### HM30 750 lm

#### H4TRFWH

Candela Distribution



Luminous Intensity

Angle	Luminous Intensity
0°	311
5°	309
10°	304
15°	295
20°	283
25°	267
30°	248
35°	227
40°	204
45°	179
50°	154
55°	129
60°	106
65°	83
70°	63
75°	42
80°	17
85°	2
90°	0

Zonal Lumen Summary

Zone	Lumens	Luminaire %
0° - 30°	235	31%
0° - 40°	377	49%
0° - 60°	631	83%
0° - 90°	762	100%
0° - 180°	764	100%

Illuminance Chart

Distance from LED	Foot Candles	Diameter
3 ft	34.6 fc	7.1 ft
6 ft	8.6 fc	14.2 ft
9 ft	3.8 fc	21.2 ft
12 ft	2.2 fc	28.3 ft

Input Watts: **9.0 W**  
 Lumens: **764 lm**  
 Efficacy: **85 lm/W**  
 Beam Angle: **99°**