

M Series

Project:	Type:
Product Code:	Date:

V 033126



4" Round Adjustable

Modular System Flexibility during and after installation with interchangeable modules, optics and trims

Quick Install Embedded driver and plug-and-play connection require no wiring

High Performance Precise lighting control without sacrificing stellar efficiency

Enhanced Dimming Smooth, Flicker-free dimming options down to 0.1%

INSTALLATION

Ceiling Thickness

New Construction: 1/2" up to 1 3/4"
Spray Foam: 1/2" up to 2"
Standard Remodel: 1/2" up to 1 1/4"
Fire Rated Remodel: 5/8" up to 1 1/4"
Low Profile: 1/2" up to 1 1/4"
Super Shallow: 1/2" up to 1 1/2"
Lutron Athena Node: 1/2" to 2"

Ceiling Material

Drywall, Millwork, Concrete,
Acoustic Ceiling Tiles

TRIMS

Aperture

4"

Shape

Round

Style

Standard, Flangeless, Pinhole, Hyperbolic

Finish

White, Black, Bronze, Clear Diffuse,
Custom Color (RAL Color)

MAINTENANCE

The driver and LED chip are embedded within the module for fully touch safe replacement from below the ceiling

LIGHT OUTPUT & DISTRIBUTION

Module

Adjustable

Adjustment

360° direction aim, 45° tilt

Lumens (Power)

750 lm (9.5W), 1000 lm (12.5W)

Color Quality

93 CRI, 2-step SDCM

Color Temperature

● 2400K ● 2700K ● 3000K
● 3500K ● 4000K
● Warm Dim (3000K-1800K)
● Tunable White (4000K-1800K) ● Tunable White (6500K-2700K)

Beam Spread

▲ 15° Narrow Spot ▲ Soft Focus
▲ 25° Spot ▲ 60° x 30° Linear Spread
▲ 40° Flood

Specialty Lens

● Hexcell Louver

POWER & CONTROLS

Input Voltage

120 / 277V

Dimming

0-10V (1%), DALI-2 (0.1%), TRIAC/ELV (1%),
Lutron Athena Wireless Node (1%)

RATINGS & CERTIFICATIONS

Housing

- IC (Insulation Contact) Rated
- ASTM E283 Certified Air Tight
- Code compliant for use in fire-rated assemblies up to a maximum of 2-hours
- STC/IIC Sound Rated
- CP Chicago Plenum
- RoHS Compliant

Module and Trim

- UL Listed for Damp Location (Covered areas only)

Warranty

5 year limited warranty; 50,000 hours



Declare.





DMF LightSpeed
Our Quickest Shipping Selections are Highlighted for shipping in **2 days or less**
All other items qty 100 or less ship in 5 days or less (custom color & premium metalized finishes excluded)

M Series

4" Round Adjustable

PRODUCT BUILDER - EMBEDDED TRIAC/ELV, 0-10V, & DALI-2

M SERIES HOUSING

EXAMPLE: **M4NCRS**

PRODUCT CODE		INSTALLATION		SHAPE		RATING	
M4				R			
M4	4" Housing	NC	New Construction	R	Round	S	Standard
		NS	Super Shallow ¹			F	Fire Rated
		CP	Chicago Plenum ¹				
		LP	Low Profile (3" Plenum) ^{2,3}				
		DH	Double Housing ¹				
		RM	Remodel ⁴				
		SF	Spray Foam ¹				

M4CC	Concrete Tight ^{2,4}
-------------	-------------------------------

DRD MODULE

EXAMPLE: **DRD4M07924NST**

PRODUCT CODE		LUMENS		CRI	CCT ⁵		BEAM SPREAD		FINISH		DIMMING		
DRD4M				9									
DRD4M	Adjustable	07	750 lm	9	93 CRI	24	2400K	NS	Narrow Spot (15°) ⁸	[Blank]	Black	T	TRIAC/ELV
		10	1000 lm			27	2700K	SP	Spot (25°)	W	White	O	0-10V
						30	3000K	FL	Flood (40°)			D	DALI-2 ⁹
						35	3500K	LS	Linear Spread (60°x 30°)				
						40	4000K	SF	Soft Focus				
						3W	Warm Dim ⁶ (3000K-1800K)	NH	Narrow Spot ^{2,8} W/Hexcell Louver				
						T1	Tunable White ⁷ (4000K-1800K)	SH	Spot ² W/Hexcell Louver				
						T2	Tunable White ⁷ (6500K-2700K)	FH	Flood ² W/Hexcell Louver				

M SERIES TRIM

EXAMPLE: **M4TRSWH**

PRODUCT CODE		FINISH		OPTION	
M4TRS	Standard	WH	White	[Blank]	None
M4TRH	Hyperbolic ¹⁰	BK	Black	FL	Flangeless ¹¹
M4TRP	Pinhole ¹⁰	BZ	Bronze		
		CW	Clear Diffuse, White Flange		
		CC	Custom Color (RAL Colors)		

M4XRHUD	Flangeless Mud Plate (Required for Flangeless Trim drywall installation)
M4KRTEMLATE	Router Template (Recommended for wood installation)

¹ Only available in Standard rating

² Not available for DALI-2 dimming

³ Only available in Fire Rated Rating

⁴ For use with Flanged trims only

⁵ DarkSky approved only applicable to configurations with CCT options 3000K or less

⁶ Only available in 1000 lm

⁷ Only available in 750 lm DALI-2 dimming

⁸ Not available in Warm Dim CCT or Tunable White CCT

⁹ Only available in 750 lm Tunable White, 1000 lm Warm Dimming or 1000 lm Static CCT

¹⁰ Only available in White, Black or Custom Color finish

¹¹ Mudplate is required for all Flangeless trims except for wood ceiling applications; Not available in Clear Diffuse finish



DMF LightSpeed

Our Quickest Shipping Selections are Highlighted for shipping in 2 days or less
All other items qty 100 or less ship in 5 days or less (custom color & premium metalized finishes excluded)

M Series

4" Round Adjustable

PRODUCT BUILDER - EMERGENCY LIGHTING

M SERIES HOUSING

EXAMPLE: M4NCRS07TEM

PRODUCT CODE		INSTALLATION		SHAPE		RATING		LUMEN		DIMMING		OPTION	
M4		NC		R		F							
M4	4" Housing	NC	New Construction	R	Round	F	Fire Rated	07	750 lm	T	TRIAC/ELV for EM only	EM	EM Driver, Integrated Switch ¹
								10	1000 lm	O	0-10V for EM only	ES	EM Driver, Remote Switch

DRD MODULE

EXAMPLE: DRD4M07924NSWA

PRODUCT CODE		LUMENS		CRI		CCT ²		BEAM SPREAD		FINISH		DIMMING	
DRD4M				9								A	
DRD4M	Adjustable	07	750 lm	9	93 CRI	24	2400K	NS	Narrow Spot (15°) ⁴	[Blank]	Black	A	Alternate
		10	1000 lm			27	2700K	SP	Spot (25°)	W	White		
						30	3000K	FL	Flood (40°)				
						35	3500K	LS	Linear Spread (60°x 30°)				
						40	4000K	SF	Soft Focus				
						3W	Warm Dim ³ (3000K-1800K)	NH	Narrow Spot ⁴ W/Hexcell Louver				
								SH	Spot W/Hexcell Louver				
								FH	Flood W/Hexcell Louver				

M SERIES TRIM

EXAMPLE: M4TRSWHEM

PRODUCT CODE		FINISH		OPTION	
M4TRS	Standard	WH	White	[Blank]	None
M4TRH	Hyperbolic ⁵	BK	Black	FL	Flangeless ⁶
M4TRP	Pinhole ⁵	BZ	Bronze	EM	Integrated Test Switch ^{1,7,8}
		CW	Clear Diffuse, White Flange		
		CC	Custom Color (RAL Colors)		

M4XRUD	Flangeless Mud Plate (Required for Flangeless Trim drywall installation)
M4KRTEMPLATE	Router Template (Recommended for wood installation)

¹ Integrated Test Switch option required for both housing and trim

² DarkSky approved only applicable to configurations with CCT Options 3000K or less

³ Only available in 1000 lm

⁴ Not available in Warm Dim CCT

⁵ Only available in White, Black or Custom Color finish

⁶ Mudplate is required for all Flangeless trims except for wood ceiling applications; Not available in Clear Diffuse finish

⁷ Only available in Standard style

⁸ Only available in White or Clear Diffuse finish



DMF LightSpeed
Our Quickest Shipping Selections are Highlighted for shipping in **2 days or less**
All other items qty 100 or less ship in 5 days or less (custom color & premium metalized finishes excluded)

M Series

4" Round Adjustable

PRODUCT BUILDER - AWN (Lutron Athena Node)

M SERIES HOUSING

EXAMPLE: **M4NCRSAWN**

PRODUCT CODE		INSTALLATION		SHAPE		RATING		WIRELESS	
M4		NC		R		S		AWN	
M4	4" Housing	NC	New Construction	R	Round	S	Standard	AWN	Lutron Athena Node

DRD MODULE

EXAMPLE: **DRD4M07924NSWO**

PRODUCT CODE		LUMENS		CRI	CCT ¹		BEAM SPREAD		FINISH		DIMMING		
DRD4M				9							O		
DRD4M	Adjustable	07	750 lm	9	93 CRI	24	2400K	NS	Narrow Spot (15°) ³	[Blank]	Black	O	0-10V
		10	1000 lm			27	2700K	SP	Spot (25°)	W	White		
						30	3000K	FL	Flood (40°)				
						35	3500K	LS	Linear Spread (60°x 30°)				
						40	4000K	SF	Soft Focus				
						3W	Warm Dim ²	NH	Narrow Spot ³ W/Hexcell Louver				
								SH	Spot W/Hexcell Louver				
								FH	Flood W/Hexcell Louver				

M SERIES TRIM

EXAMPLE: **M4TRSWH**

PRODUCT CODE		FINISH		OPTION	
M4TRS	Standard	WH	White	[Blank]	None
M4TRH	Hyperbolic ⁴	BK	Black	FL	Flangeless ⁵
M4TRP	Pinhole ⁴	BZ	Bronze		
		CW	Clear Diffuse, White Flange		
		CC	Custom Color		

M4XRMUD	Flangeless Mud Plate (Required for Flangeless Trim drywall installation)
M4KRTEMPLATE	Router Template (Recommended for wood installation)

¹ DarkSky approved only applicable to configurations with CCT options 3000K or less

² Only available in 1000 lm

³ Not available in Warm Dim CCT

⁴ Only available in White, Black or Custom Color finish

⁵ Mudplate is required for all Flangeless trims except for wood ceiling applications; Not available in Clear Diffuse



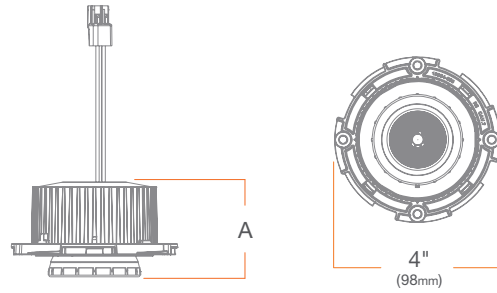
PRODUCT BUILDER - OPTICS ACCESSORIES

OPTICS ACCESSORIES

EXAMPLE: **DRD4X-NS**

PRODUCT CODE	
DRD4X-NS	Adjustable Narrow Spot (15°)
DRD4X-SP	Adjustable Spot (25°)
DRD4X-FL	Adjustable Flood (40°)
DRD4X-LS	Adjustable Linear Spread (60° x 30°)
DRD4X-SF	Adjustable Soft Focus
DRD4X-OP	Adjustable Optics Kit: Narrow Spot (15°), Spot (25°), Flood (40°), Linear Spread (60° x 30°), Soft Focus

MODULE



Measurements	A
Standard	2 3/8" [60 mm]
DALI-2	2 1/2" [64 mm]

SUMMARY

	STATIC CCT	WARM DIM	TUNABLE WHITE
CCT	2400K, 2700K, 3000K, 3500K, 4000K	3000K - 1800K	4000K - 1800K; 6500K - 2700K
LUMENS (POWER)	750 lm (9.5W), 1000 lm (12.5W)	1000 lm (12.5W)	750 lm (12.5W)
EFFICACY	78.9 lm/W, 80 lm/W	80 lm/W	60 lm/W
COLOR QUALITY	93 CRI ¹ , 2-step SDCM	93 CRI ¹ , 2-step SDCM	93 CRI ¹ , 3-step SDCM
BEAM SPREAD	Narrow Spot (15°), Spot (25°), Flood (40°), Linear Spread (60° x 30°), Soft Focus	Spot (25°), Flood (40°), Linear Spread (60° x 30°), Soft Focus	Spot (25°), Flood (40°), Linear Spread (60° x 30°), Soft Focus
DIMMING	0-10V, TRIAC/ELV ² , DALI-2 ³	0-10V, TRIAC/ELV ² , DALI-2	DALI-2
LED CHIP	Bridgelux (2400K), Cree (All other CCT)	Bridgelux	Bridgelux
LISTINGS	ENERGY STAR [®] qualified ⁴ , California Title 24 2016-2022 JA8-E compliant, UL Listed for Damp Location ⁵ , UL Certified US-CA, Declare, RoHS compliant, Shatter-resistant Construction, DALI-2 Compliant, Dark Sky Approved ⁶ , Complaint to FCC Title 47 Part 15; Class B, Suitable for Use in Air-Handling Space – Complies with UL2043		
ADJUSTMENT	360° directional aim, 45° tilt		
SLOPE CEILING COMPATIBILITY	Up to 45°		

¹ Tested in accordance to IESNA LM-79-2008

² Dimming at 120V only

³ Only available in 1000lm (12.5W)

⁴ Refer to ENERGY STAR Certified light fixtures database

⁵ Under covered areas only

⁶ DarkSky Approved is only applicable to CCT Options less than or equal to 3000K

ADDITIONAL

INPUT VOLTAGE: 120/277V, 50/60Hz

MAX INPUT CURRENT (120V): 0.13 amps

MAX INPUT CURRENT (277V): 0.065 amps

CONNECTOR: PowerPlug[®] Luminaire Disconnect Model 182, 6-pin Molex

POWER FACTOR: Greater than 0.9

TOTAL HARMONIC DISTORTION: Less than 20%

AMBIENT OPERATING TEMPERATURE: -20°C to 40°C

WARRANTY: 5 year limited warranty; 50,000 hours at 70% lumen maintenance

MODULE PERFORMANCE

Based on 93 CRI, 3000K Module + STD White + Trim (M4TRSWH)
 (Please refer to IES files for other trim types)

		STATIC CCT		WARM DIM	T1 TUNABLE WHITE	T2 TUNABLE WHITE
LED CHIP		Bridgelux 93 CRI (2400K), Cree 93 CRI (All other CCT)			Bridgelux 93 CRI	
SDCM		2-STEP			3-STEP	
PN DESIGNATION		07	10	10	07	07
WATTAGE		9.5W	12.5W	12.5W	12.5W	12.5W
NS	Lumens	714	968	N/A		
	LPW ¹	75.2	77.4			
	CBCP ²	5159	6990			
	UGR ³	14.5	15.6			
SP	Lumens	698	946	891	806	828
	LPW	73.5	75.7	71.3	64.5	66.2
	CBCP	1820	2466	2322	2099	2158
	UGR	15.4	16.5	16.3	15.9	16
FL	Lumens	709	961	906	819	841
	LPW	74.6	76.9	72.5	65.5	67.3
	CBCP	991	1343	1264	1143	1175
	UGR	18.3	19.3	19.1	18.7	18.8

CCT MULTIPLIER	STATIC					WARM DIM		T1 TUNABLE WHITE			T2 TUNABLE WHITE		
	2400K	2700K	3000K	3500K	4000K	1800K	3000K	1800K	3000K	4000K	2700K	3000K	6500K
	0.80	0.93	1	1.05	1.07	0.05	1	0.73	1	1.12	0.96	1	1.07

HEXCELL LOUVER MULTIPLIER	0.6
EMERGENCY BATTERY MULTIPLIER	LPW x 5

¹ LPW: Lumen per watt

² CBCP: Center beam candlepower

³ UGR: Unified glare ratio (0.7/0.5/0.2, 4H/8H)

HOUSING

M Series

New Construction

SUMMARY

JUNCTION BOX: Equipped with 10 knockouts: two 1/2" and two 3/4" trade size knockouts on top, two 1/2" trade size knockouts on side, four romex knockouts on top. Approved for 8 (four in, four out) #12 AWG 70°C.

MOUNTING: Adjustable Bar Hangers compatible with traditional joists, Armstrong™, Hat Channel, and T-Bar can accommodate the following spacing:

Standard Version (Deep): 7 1/2" (191mm) to 24" (610mm)

Joist spacing:

Low Profile/Emergency Version: 9" (229mm) to 24" (610mm)

Super Shallow: 9 3/8" (238mm) to 24" (610mm)

Lutron Athena Node: 10 1/2" (267mm) to 24" (610mm)

CEILING: Pre-installed mounting brackets allow vertical adjustment of bar hangers up to 1 1/4" (32mm)

Standard Version (Deep): 1/2" (13mm) to 1 3/4" (44mm)

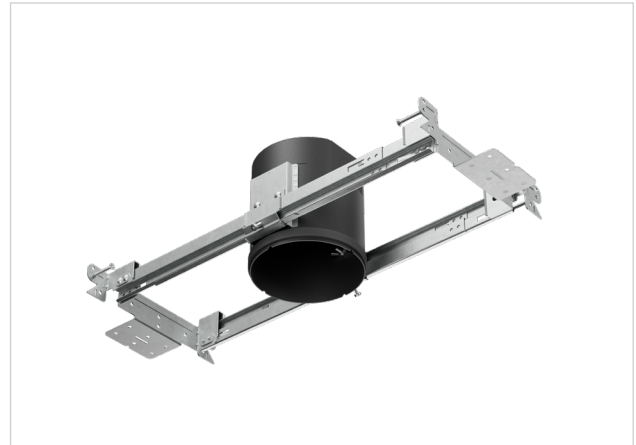
Low Profile/Emergency Version: 1/2" (13mm) to 1 1/4" (32mm)

Super Shallow: 1/2" (13mm) to 1 1/2" (127mm)

Lutron Athena Node: 1/2" (13mm) to 2" (51mm)

CUTOUT: 4 1/4" (108mm) round opening

LISTINGS: Metallic outlet box certified UL514A, code compliant for use in appropriate fire-rated assemblies for up to 2-hours (Fire Rated only), STC/IIC Sound Rated, ASTM E283 certified Air Tight, IC (Insulation Contact) Rated, Compliant to FCC Title 46 Part 15; Class B, Suitable for Use in Air-Handling Space – Complies with UL2043



ALTERNATE DIMMING SPECIFICATIONS

INPUT VOLTAGE: 120/277V, 50/60Hz

MAX INPUT CURRENT (120V): 0.130 amps

MAX INPUT CURRENT (277V): 0.065 amps

POWER FACTOR: Greater than 0.9

TOTAL HARMONIC DISTORTION: Less than 20%

EMERGENCY BATTERY SPECIFICATIONS

ILLUMINATION TIME: 90min

WATTAGE IN EM STATE: 5W

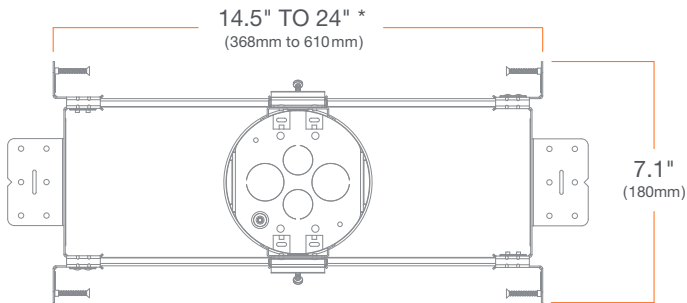
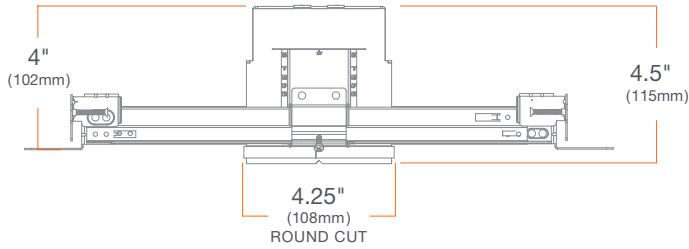
LUMEN OUTPUT IN EM STATE: LPW x 5

TEST SWITCH OPTIONS:

- **INTEGRATED TEST SWITCH (-EM HOUSING):**
Requires Compatible trim available in flanged, standard style only (M4TRSxxEM)
- **REMOTE TEST SWITCH(-ES HOUSING):**
Must be installed according to local code, can be used with any flanged, flangeless, or decorative trim type

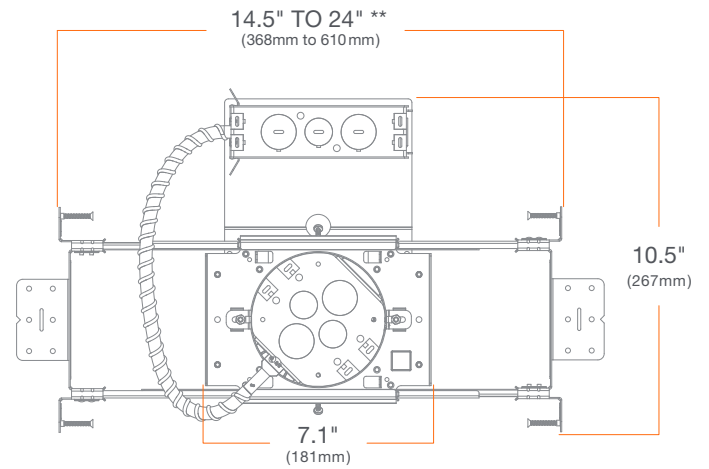
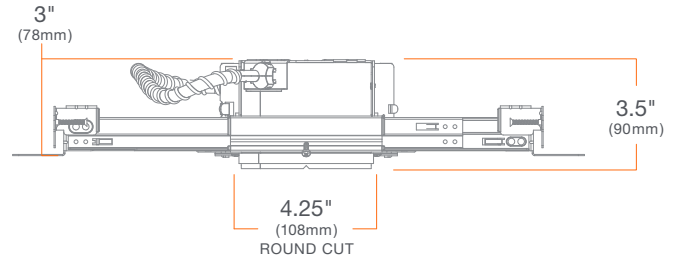
New Construction

- M4NCRS (Standard)
- M4NCRF (Fire Rated)
- M4CPRS (Chicago Plenum)



Low-Profile

- M4LPRF (Fire Rated)



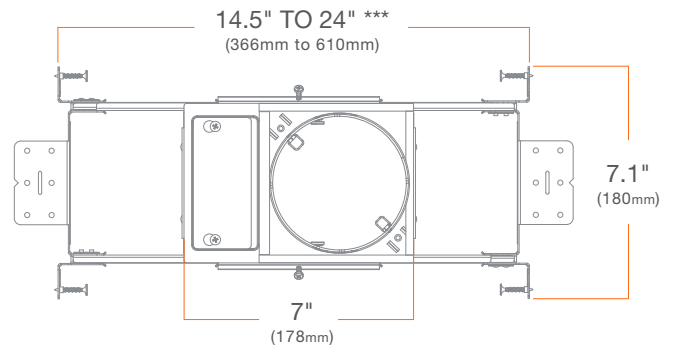
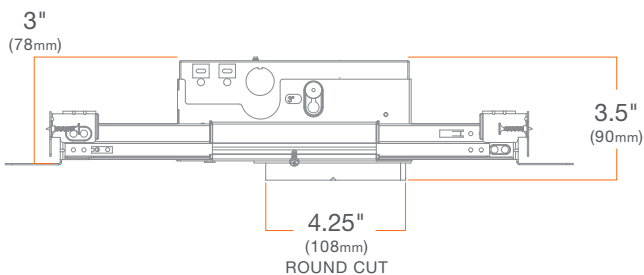
* Can be field cut to minimum 7 1/2" (191mm) for a range of 7 1/2" (191mm) - 24" (610mm)

** Can be field cut to minimum 9" (229mm) for a range of 9" (229mm) - 24" (610mm)

Super Shallow

- M4NSRS + Adjustable Module

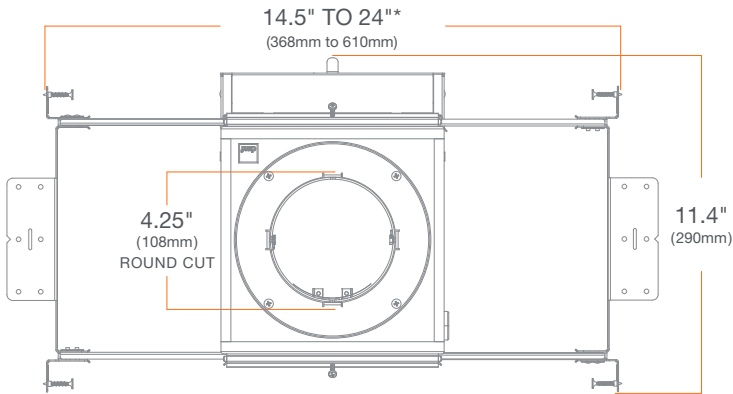
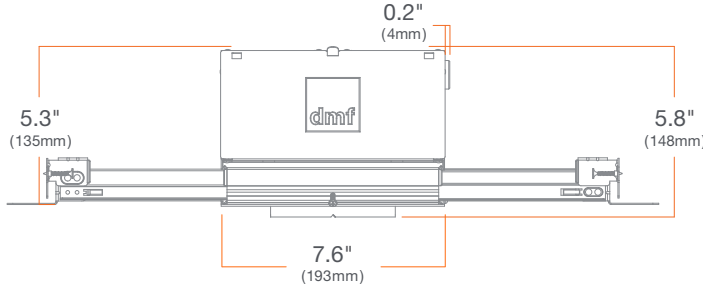
(Pre-set to 3" plenum depth at factory)



*** Can be field cut to a minimum 9 3/8" (238mm) for a range of 9 3/8" (238mm) to 24" (610mm)

Athena Wireless Node

M4NCRSAWN (Standard)

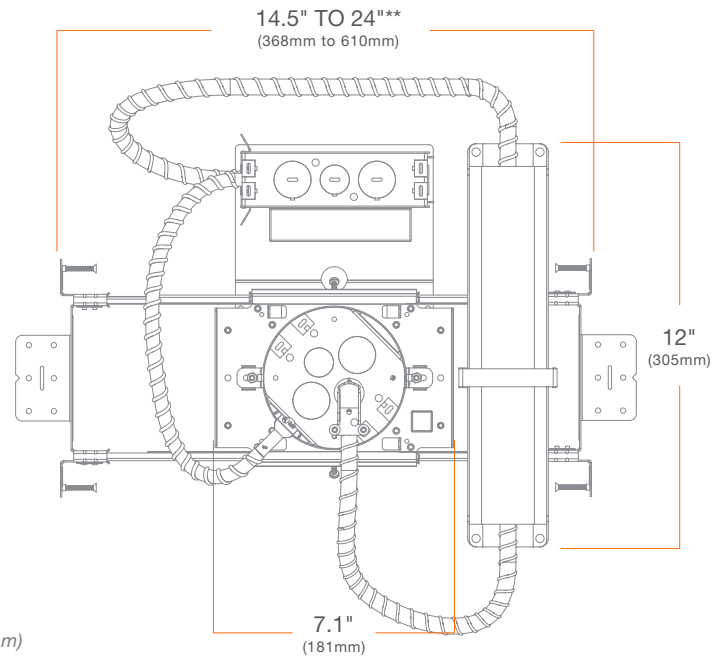
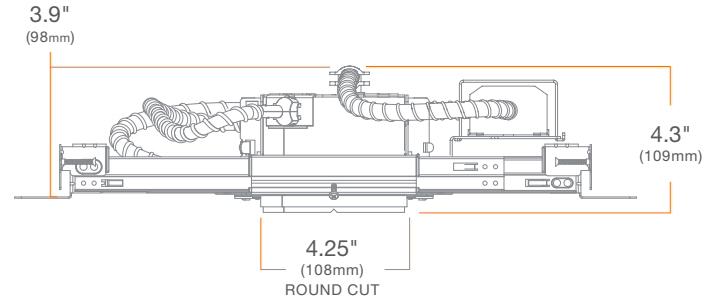


* Can be field cut to a minimum 10 1/2" (267mm) for a range of 10 1/2" (267mm) to 24" (610mm)

** Can be field cut to minimum 9" (229mm) for a range of 9" (229mm) - 24" (610mm)

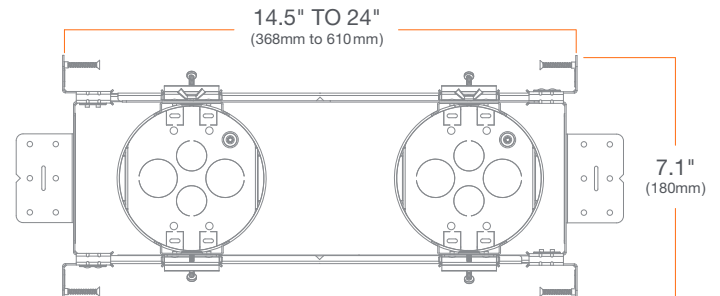
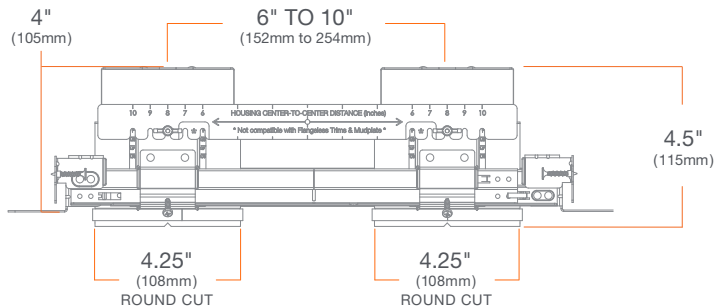
Emergency Lighting

M4NCRFxxxEx (Fire Rated)



Double Housing

M4DHRS



HOUSING



M Series

Spray Foam

M4SFRS

SUMMARY

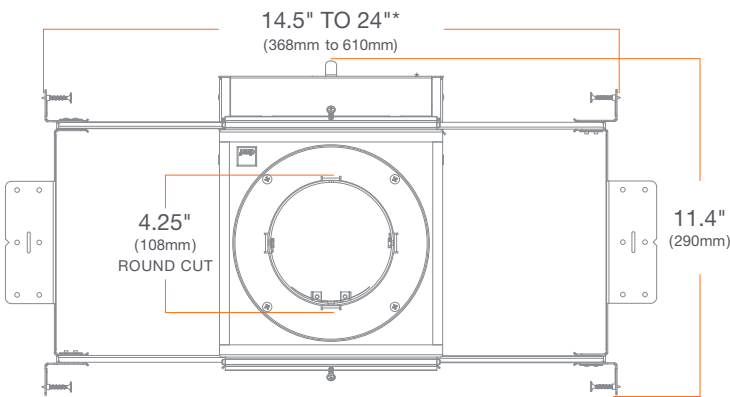
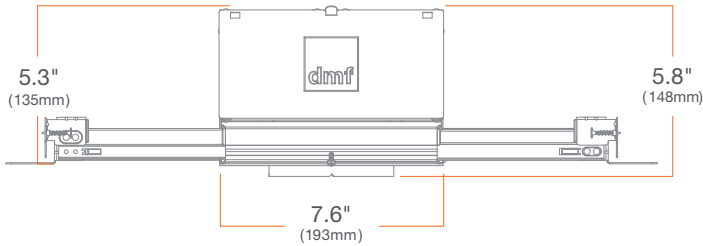
JUNCTION BOX: Equipped with six knockouts: four 1/2" trade size knockouts, two 3/4" trade size knockouts, and four romex knockouts. Approved for 8 (four in, four out) #12 AWG 70° C

MOUNTING: Adjustable Bar Hangers for 10.5" (267mm) to 24" (610mm) of joist spacing. Compatible with traditional joists, Armstrong™ ceiling, Hat Channel and T-bar

CEILING: Center Collar allows for vertical adjustment to accommodate from 1/2" (13mm) to 2" (51mm) thickness

CUTOUT: 4 1/4" (108mm) round opening

LISTINGS: ASTM E283 certified Air Tight, IC (Insulation Contact) up to R-32 for Roll, Batt, and Loose Fill, up to R-60 Spray Foam with standard trims, up to R-32 Spray Foam with other trims, Suitable for Use in Air-Handling Space – Complies with UL2043



* Can be field cut to a minimum 10 1/2" (267mm) for a range of 10 1/2" (267mm) to 24" (610mm)

HOUSING



M Series

Remodel

SUMMARY

JUNCTION BOX: Equipped with 8 knockouts: two 1/2" and two 3/4" trade size knockouts on top, four romex knockouts on top. Approved for 8 (four in, four out) #12 AWG 70°C.

MOUNTING: Pre-installed mounting spring clips

CEILING: Standard Version : 1/2" (13mm) up to 1 1/4" (32mm)
Fire Rated Version : 5/8" (16mm) up to 1 1/4" (32mm)

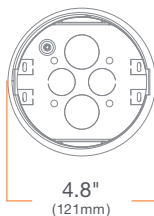
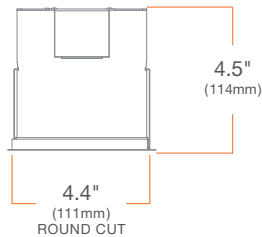
CUTOUT: Standard Version : 4 3/8" (111mm) round opening
Fire Rated Version : 4 1/2" (114mm) round opening

LISTINGS: Metallic outlet box certified UL514A, code compliant for use in appropriate fire-rated assemblies for up to 2-hours (Fire Rated only), STC/IIC Sound Rated, ASTM E283 certified Air Tight, IC (Insulation Contact) Rated, Suitable for Use in Air-Handling Space – Complies with UL2043

TRIM COMPATIBILITY: Flanged Only

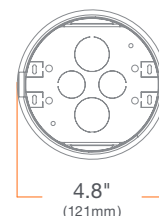
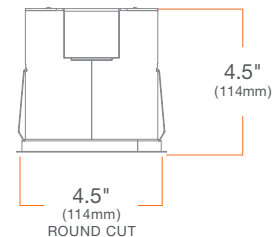
Standard

M4RMRS



Fire Rated

M4RMRF



HOUSING



M Series

Concrete Construction

M4CC

SUMMARY

JUNCTION BOX: Equipped with (4) trade size concentric knockouts (3/4" + 1/2") to allow straight conduit runs. Approved for 8 (four in, four out) #12 AWG 90°C.

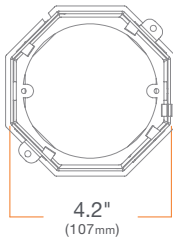
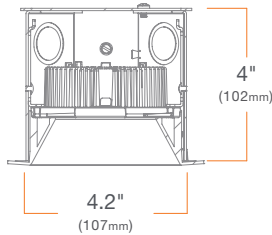
MOUNTING: (2) external tabs for wood, steel or concrete mounting

COVER: Removable top cover for easy access to electrical wiring work prior to concrete pour

APPLICATION: Poured deck (floor) high-rise new construction

LISTINGS: Metallic outlet box certified UL514A, concrete tight, code compliant for use in appropriate fire-rated assemblies for up to 2-hours, STC/IIC Sound Rated, ASTM E283 certified Air Tight, Suitable for Use in Air-Handling Space – Complies with UL2043

TRIM COMPATIBILITY: Flanged Only



TRIMS



M Series

4" Round Trims

M4TR

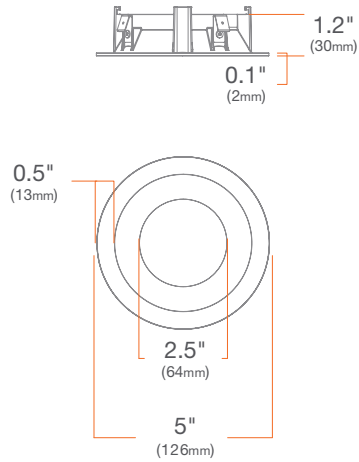
SUMMARY

CONSTRUCTION: Die-cast aluminum

INSTALLATION: Twist & Lock

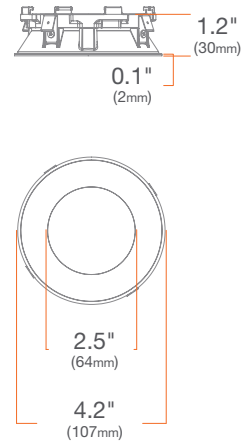
Standard

M4TRSWH



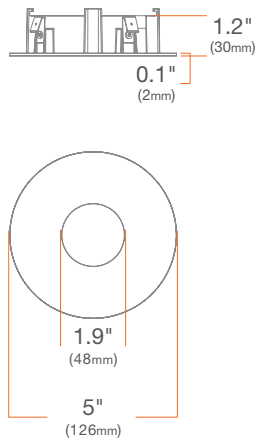
Standard Flangeless

M4TRSWHFL



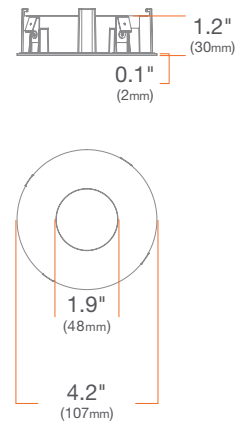
Pinhole

M4TRPWH



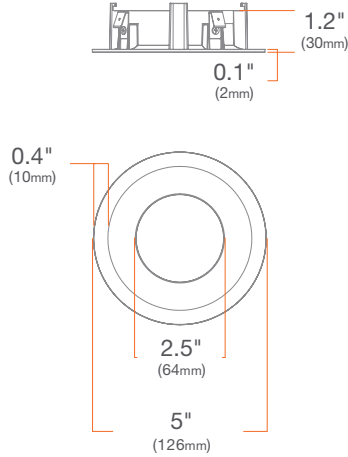
Pinhole Flangeless

M4TRPWHFL



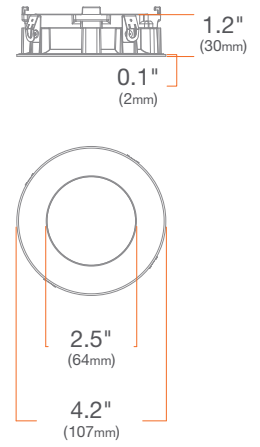
Hyperbolic

M4TRHWH



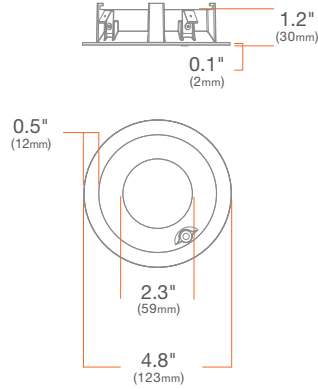
Hyperbolic Flangeless

M4TRHWHFL



Integrated Test Switch

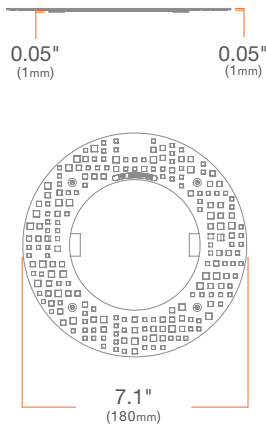
M4TRSWHEM



ACCESSORIES

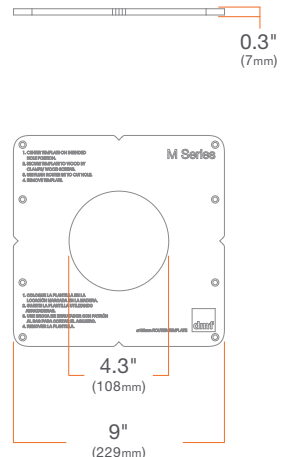
Flangeless Mud Plate

M4XRMUD



Router Template

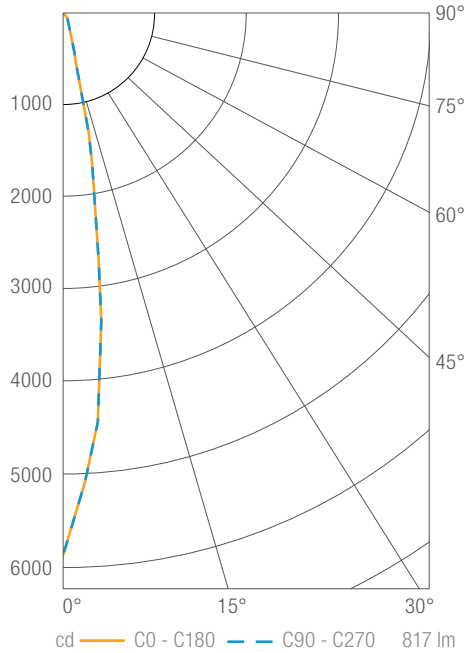
M4KRTEMPLATE



PHOTOMETRY

DRD4 750 lm, 3000K, Narrow Spot

DRD4M07930NS



Luminous Intensity

Gamma	C 0°
0°	5897
5°	4418
10°	1911
15°	561
20°	280
25°	165
30°	117
35°	87
40°	69
45°	57
50°	47
55°	38
60°	31
65°	23
70°	16
75°	10
80°	4
85°	1
90°	0

Values in candela

Zonal Lumen Summary

Zone	Lumens	Luminaire %
0-30	645	79
0-40	701	86
0-60	781	96
0-90	817	100
0-180	817	100

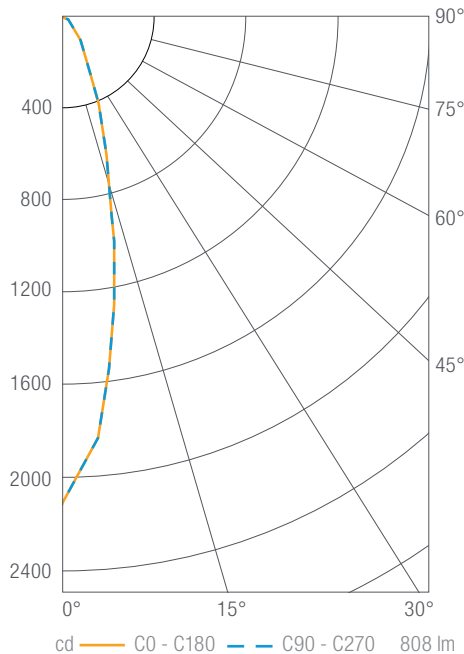
Illuminance Chart

Distance from LED	Foot Candles	Diameter
3'	655	0.8'
6'	164	1.7'
9'	73	2.5'
12'	41	3.3'

Beam Angle: 16°

DRD4 750 lm, 3000K, Spot

DRD4M07930SP



Luminous Intensity

Gamma	C 0°
0°	2105
5°	1826
10°	1282
15°	800
20°	497
25°	310
30°	201
35°	137
40°	98
45°	73
50°	57
55°	45
60°	35
65°	23
70°	12
75°	5
80°	3
85°	2
90°	0

Values in candela

Zonal Lumen Summary

Zone	Lumens	Luminaire %
0-30	573	71
0-40	668	83
0-60	773	96
0-90	808	100
0-180	808	100

Illuminance Chart

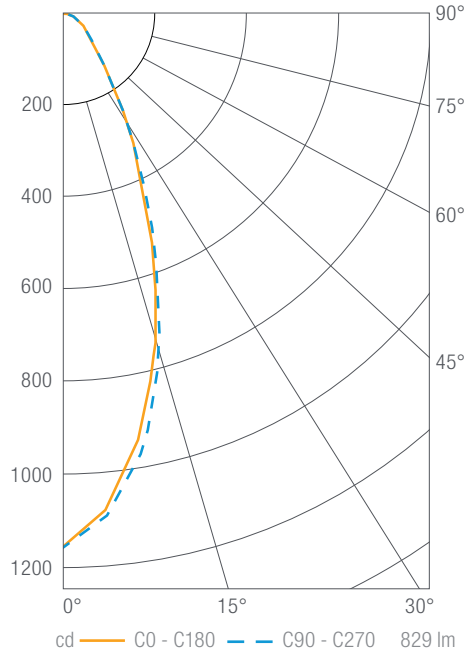
Distance from LED	Foot Candles	Diameter
3'	234	1.3'
6'	58	2.6'
9'	26	3.9'
12'	15	5.2'

Beam Angle: 28°

PHOTOMETRY

DRD4 750 lm, 3000K, Flood

DRD4M07930FL



Luminous Intensity

Gamma	C 0°
0°	1158
5°	1081
10°	941
15°	765
20°	576
25°	414
30°	288
35°	192
40°	130
45°	96
50°	76
55°	61
60°	49
65°	38
70°	28
75°	18
80°	10
85°	4
90°	0

Values in candela

Zonal Lumen Summary

Zone	Lumens	Luminaire %
0-30	510	62
0-40	633	76
0-60	766	92
0-90	829	100
0-180	829	100

Illuminance Chart

Distance from LED	Foot Candles	Diameter
3'	129	2.2'
6'	32	4.5'
9'	14	6.7'
12'	8	9.0'

Beam Angle: 41°