

# M Series

Project:	Type:
Product Code:	Date:

V032125



## 4" Round Downlight

**Modular System** Flexibility during and after installation with interchangeable modules, optics and trims

**Quick Install** Embedded driver and plug-and-play connection require no wiring

**High Performance** Precise lighting control without sacrificing stellar efficiency

**Enhanced Dimming** Smooth, Flicker-free dimming options down to 0.1%

### INSTALLATION

#### Ceiling Thickness

New Construction: 1/2" up to 1 3/4"

Spray Foam: 1/2" up to 2"

Standard Remodel: 1/2" up to 1 1/4"

Fire Rated Remodel: 5/8" up to 1 1/4"

Low Profile: 1/2" up to 1 1/4"

Extension Collar: 1 3/4" up to 3"

(For use with Standard New Construction Only)

Super Shallow: 1/2" up to 1 1/2"

(Coming Soon)

#### Ceiling Material

Drywall, Millwork, Concrete,  
Acoustic Ceiling Tiles

### TRIMS

#### Aperture

4"

#### Shape

Round

#### Style

Standard, Flangeless, Hyperbolic,  
Wall Wash/Sloped Ceiling, Pinhole,  
Marine Grade/IP66, Decorative

#### Finish

White, Black, Bronze, Clear Diffuse,  
Custom Color (RAL Color)

### LIGHT OUTPUT & DISTRIBUTION

#### Module

Downlight

#### Lumens (Power)

750 lm (9.5W), 1000 lm (12.5W),  
1250 lm (14.3W), 1500 lm (14.3W)

#### Color Quality

93 CRI, 2-step SDCM

#### Color Temperature

- 2700K
- 3000K
- 3500K
- 4000K
- Warm Dim (3000K–1800K)
- Tunable White (4000K–1800K)
- Tunable White (6500K–2700K)

#### Beam Spread

- 15° Narrow Spot
- 25° Spot
- 40° Flood
- 60° Wide Flood
- 90°+ General
- 40° x 20° Linear Spread
- Soft Focus

#### Warranty

5 year limited warranty; 50,000 hours

### POWER & CONTROLS

#### Input Voltage

120 / 277V

#### Dimming

0-10V (1%), DALI-2 (0.1%), TRIAC/ELV (1%),  
Lutron Athena Wireless Node (1%)  
(Coming Soon)

### RATINGS & CERTIFICATIONS

#### Housing

- IC (Insulation Contact) Rated
- ASTM E283 Certified Air Tight
- Code compliant for use in fire-rated assemblies up to a maximum of 2-hours
- STC/IIC Sound Rated
- Chicago Plenum
- RoHS Compliant
- DarkSky Approved<sup>1</sup>

#### Module and Trim

- UL Listed for Wet Location/IP66 Configurations Available<sup>2</sup>
- NSF Listed<sup>3</sup>

<sup>1</sup> Downlight only, CCT less than or equal to 3000K, non-decorative trims only

<sup>2</sup> Flanged trims, under covered areas only

<sup>3</sup> White and Black Finish Only



### PRODUCT BUILDER - EMBEDDED TRIAC/ELV, 0-10V, & DALI-2

#### M SERIES HOUSING

PRODUCT CODE		INSTALLATION		SHAPE		RATING	
<b>M4</b>				<b>R</b>			
<b>M4</b>	4" Housing	<b>NC</b>	New Construction	<b>R</b>	Round	<b>S</b>	Standard
		<b>NS</b>	Super Shallow <sup>1</sup> (Coming Soon)			<b>F</b>	Fire Rated
		<b>CP</b>	Chicago Plenum <sup>1</sup>				
		<b>LT</b>	Low Profile, TRIAC/ELV (3" Plenum) <sup>2</sup>				
		<b>LO</b>	Low Profile, 0-10V (3" Plenum) <sup>2</sup>				
		<b>DH</b>	Double Housing <sup>1,3</sup>				
		<b>RM</b>	Remodel <sup>4</sup>				
		<b>SF</b>	Spray Foam <sup>1</sup>				

<b>M4CC</b>	Concrete Tight <sup>2,4</sup>
-------------	-------------------------------

#### DRD MODULE

PRODUCT CODE		LUMENS		CRI	CCT <sup>5</sup>		BEAM SPREAD		DIMMING		
<b>DRD2M</b>				<b>9</b>							
<b>DRD2M</b>	Downlight	<b>07</b>	750 lm	<b>9</b>	<b>93</b>	<b>27</b>	2700K	<b>GA</b>	General Ambient (90°+)	<b>T</b>	TRIAC/ELV
		<b>10</b>	1000 lm			<b>30</b>	3000K	<b>NS</b>	Narrow Spot (15°) <sup>8</sup>	<b>O</b>	0-10V
		<b>12</b>	1250 lm			<b>35</b>	3500K	<b>SP</b>	Spot (25°)	<b>D</b>	DALI-2 <sup>9</sup>
		<b>15</b>	1500 lm			<b>40</b>	4000K	<b>FL</b>	Flood (40°)		
						<b>3W</b>	Warm Dim (3000K–1800K) <sup>6</sup>	<b>WF</b>	Wide Flood (60°)		
						<b>T1</b>	Tunable White (4000K–1800K) <sup>7</sup>	<b>LS</b>	Linear Spread (40°x 20°)		
						<b>T2</b>	Tunable White (6500K–2700K) <sup>7</sup>	<b>SF</b>	Soft Focus		

#### M SERIES TRIM

PRODUCT CODE		FINISH		OPTION	
<b>M4TRS</b>	Standard	<b>WH</b>	White	<b>[Blank]</b>	None
<b>M4TRH</b>	Hyperbolic <sup>10</sup>	<b>BK</b>	Black	<b>DOF</b>	Decorative: Open, Frosted <sup>5,12,13</sup>
<b>M4TRP</b>	Pinhole <sup>3,10</sup>	<b>BZ</b>	Bronze	<b>DCF</b>	Decorative: Closed, Frosted <sup>5,12,13</sup>
<b>M4TRL</b>	Wall Wash/Sloped Ceiling <sup>11</sup>	<b>CW</b>	Clear Diffuse, White Flange	<b>DCC</b>	Decorative: Closed, Clear, Frosted Side <sup>5,12,13</sup>
		<b>CC</b>	Custom Color (RAL Colors)	<b>DCCF</b>	Decorative: Closed, Clear, Frosted Inside <sup>5,12,13</sup>
				<b>FL</b>	Flangeless <sup>14,16</sup>
				<b>DF</b>	Dead Front <sup>12,15</sup>
				<b>IP</b>	Marine Grade/IP66 <sup>17</sup> (Coming Soon)

<b>M4XRMD</b>	Flangeless Mud Plate (Required for Flangeless Trim drywall installation)
<b>M4KRTEMPLATE</b>	Router Template (Recommended for wood installation)
<b>M4CREXT</b>	Extension Collar <sup>1</sup> (for ceiling install up to 3")

<sup>1</sup> Only available in Standard rating

<sup>2</sup> Not available in DALI-2 dimming

<sup>3</sup> Only available for 750 lm or 1000 lm

<sup>4</sup> Not available for Flangeless applications

<sup>5</sup> DarkSky approved only applicable to configurations with CCT Options 3000K or less and not compatible with Decorative trims

<sup>6</sup> Only available in 1000 lm

<sup>7</sup> Only available in 1000 lm, DALI-2 dimming

<sup>8</sup> Not available in Warm Dim CCT or Tunable White

<sup>9</sup> Only available in 1000 lm Tunable White or Warm Dim and 1250 lm static CCT

<sup>10</sup> Only available in White, Black or Custom Color finish

<sup>11</sup> Recommended with General Ambient beam spread for general wallwashing and Spot beam spread for Sloped Ceiling; Not available in Bronze finish

<sup>12</sup> Only available in Standard style, White finish

<sup>13</sup> Only available with General Ambient beam spread

<sup>14</sup> Not available for Decorative option, Concrete Construction or Remodel housing; Not available in Clear Diffuse finish

<sup>15</sup> Only available for 750 lm

<sup>16</sup> Mudplate is required for all Flangeless trims except for wood ceiling applications

<sup>17</sup> Only available in Black or White Finish; Only Compatible with New Construction housing in Standard Rating

## PRODUCT BUILDER - EMERGENCY LIGHTING

### M SERIES HOUSING

PRODUCT CODE		INSTALLATION		SHAPE		RATING		LUMEN		DIMMING		OPTION	
M4		NC		R									
M4	4" Housing	NC	New Construction	R	Round	S	Standard	07	750 lm	T	TRIAC/ELV for EM only	[Blank]	None
						F	Fire Rated	10	1000 lm	O	0-10V for EM only	EM	EM Driver, Integrated Switch <sup>1</sup>
								12	1250 lm			ES	EM Driver, Remote Switch
								15	1500 lm				

### DRD MODULE

PRODUCT CODE		LUMENS		CRI		CCT <sup>2</sup>		BEAM SPREAD		DIMMING	
DRD2M				9						A	
DRD2M	Downlight	07	750 lm	9	93 CRI	27	2700K	GA	General Ambient (90°+)	A	Alternate
		10	1000 lm			30	3000K	NS	Narrow Spot (15°) <sup>4</sup>		
		12	1250 lm			35	3500K	SP	Spot (25°)		
		15	1500 lm			40	4000K	FL	Flood (40°)		
						3W	Warm Dim <sup>3</sup>	WF	Wide Flood (60°)		
								LS	Linear Spread (40°x 20°)		
								SF	Soft Focus		

### M SERIES TRIM

PRODUCT CODE		FINISH		OPTION	
M4TRS	Standard	WH	White	[Blank]	None
M4TRH	Hyperbolic <sup>5</sup>	BK	Black	DOF	Decorative: Open, Frosted <sup>2,8,9</sup>
M4TRP	Pinhole <sup>5,6</sup>	BZ	Bronze	DCF	Decorative: Closed, Frosted <sup>2,8,9</sup>
M4TRL	Wall Wash/Sloped Ceiling <sup>7</sup>	CW	Clear Diffuse, White Flange	DCC	Decorative: Closed, Clear, Frosted Side <sup>2,8,9</sup>
		CC	Custom Color (RAL Colors)	DCCF	Decorative: Closed, Clear, Frosted Inside <sup>2,8,9</sup>
				FL	Flangeless <sup>10</sup>
				DF	Dead Front <sup>8,11</sup>
				EM	Integrated Test Switch <sup>1,12</sup>

M4XRHUD	Flangeless Mud Plate (Required for Flangeless Trim drywall installation)
M4KRTEMPLATE	Router Template (Recommended for wood installation)

<sup>1</sup> Integrated Test Switch option required for both housing and trim

<sup>2</sup> DarkSky approved only applicable to configurations with CCT options 3000K or less and not compatible with Decorative trims

<sup>3</sup> Only available in 1000 lm

<sup>4</sup> Not available in Warm Dim CCT

<sup>5</sup> Only available in White, Black or Custom Color finish

<sup>6</sup> Only available for 750 lm or 1000 lm

<sup>7</sup> Recommended with General Ambient beam spread for General wallwashing and Spot beam spread for sloped ceiling application; Not available in Bronze finish

<sup>8</sup> Only available in Standard style, White finish

<sup>9</sup> Only available with General Ambient beam spread

<sup>10</sup> Not available for Decorative option; Mudplate required for all Flangeless trims except wood install; Not available in Clear Diffuse finish

<sup>11</sup> Only available for 750 lm

<sup>12</sup> Only available in Standard style with White or Clear Diffuse finish

## PRODUCT BUILDER - AWNR (Lutron Athena Node) (Coming Soon)

### M SERIES HOUSING

PRODUCT CODE		INSTALLATION		SHAPE		RATING		WIRELESS	
M4		NC		R				AWNR	
M4	4" Housing	NC	New Construction	R	Round	S	Standard	AWNR	Lutron Athena Node
						F	Fire Rated		

### DRD MODULE

PRODUCT CODE		LUMENS		CRI		CCT <sup>1</sup>		BEAM SPREAD		DIMMING	
DRD2M				9						O	
DRD2M	Downlight	07	750 lm	9	93 CRI	27	2700K	GA	General Ambient (90°+)	O	0-10V
		10	1000 lm			30	3000K	NS	Narrow Spot (15°) <sup>3</sup>		
		12	1250 lm			35	3500K	SP	Spot (25°)		
		15	1500 lm			40	4000K	FL	Flood (40°)		
						3W	Warm Dim <sup>2</sup>	WF	Wide Flood (60°)		
								LS	Linear Spread (40°x 20°)		
								SF	Soft Focus		

### M SERIES TRIM

PRODUCT CODE		FINISH		OPTION	
M4TRS	Standard	WH	White	[Blank]	None
M4TRH	Hyperbolic <sup>4</sup>	BK	Black	DOF	Decorative: Open, Frosted <sup>1,7,8</sup>
M4TRP	Pinhole <sup>4,5</sup>	BZ	Bronze	DCF	Decorative: Closed, Frosted <sup>1,7,8</sup>
M4TRL	Wall Wash/Sloped Ceiling <sup>6</sup>	CW	Clear Diffuse, White Flange	DCC	Decorative: Closed, Clear, Frosted Side <sup>1,7,8</sup>
		CC	Custom Color (RAL Colors)	DCCF	Decorative: Closed, Clear, Frosted Inside <sup>1,7,8</sup>
				FL	Flangeless <sup>9</sup>
				DF	Dead Front <sup>7,10</sup>

M4XRMUD	Flangeless Mud Plate <i>(Required for Flangeless Trim drywall installation)</i>
M4KRTEMPLATE	Router Template <i>(Recommended for wood installation)</i>

<sup>1</sup> DarkSky approved only applicable to configurations with CCT options 3000K or less and not compatible with Decorative trims

<sup>2</sup> Only available in 1000 lm

<sup>3</sup> Not available in Warm Dim CCT

<sup>4</sup> Only available in White, Black or Custom Color finish

<sup>5</sup> Only available for 750 lm or 1000 lm

<sup>6</sup> Recommended with General Ambient beam spread for general wallwashing and Spot beam spread for sloped ceiling; Not available in Bronze finish

<sup>7</sup> Only available in Standard style, White finish

<sup>8</sup> Only available with General Ambient beam spread

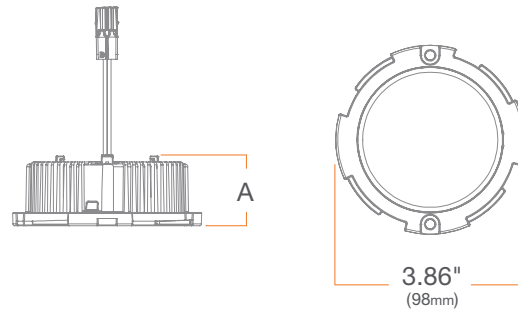
<sup>9</sup> Damp Listing only; Not available for Decorative option; Mudplate required for all Flangeless trims except wood install; Not available in Clear Diffuse finish

<sup>10</sup> Only available for 750 lm

## PRODUCT BUILDER - OPTICS ACCESSORIES

PRODUCT CODE	
<b>DRD2X-GA</b>	Fixed Conversion Kit: DRD2 Module to General Ambient (90°+)
<b>DRD2X-NS</b>	Fixed Narrow Spot (15°)
<b>DRD2X-SP</b>	Fixed Spot (25°)
<b>DRD2X-FL</b>	Fixed Flood (40°)
<b>DRD2X-WF</b>	Fixed Wide Flood (60°)
<b>DRD2X-LS</b>	Fixed Linear Spread (40° x 20°)
<b>DRD2X-SF</b>	Fixed Soft Focus
<b>DRD2X-OP</b>	Fixed Optics Kit: Narrow Spot (15°), Spot (25°), Flood (40°), Wide Flood (60°), Linear Spread (40° x 20°), Soft Focus

## MODULE



### Measurements

	A
Standard	1 7/16" [37 mm]
DALI-2	2" [50 mm]

## SUMMARY

	STATIC CCT	WARM DIM	TUNABLE WHITE
<b>CCT</b>	2700K, 3000K, 3500K, 4000K	3000K - 1800K	4000K - 1800K; 6500K - 2700K
<b>LUMENS (POWER)</b>	750 lm (9.5W), 1000 lm (12.5W) 1250 lm (14.3W), 1500lm (14.3W)	1000 lm (12.5W)	1000 lm (14.5W)
<b>EFFICACY</b>	79 lm/W, 80 lm/W, 87 lm/W, 105 lm/W	80 lm/W	69 lm/W
<b>COLOR QUALITY</b>	93 CRI <sup>1</sup> , 2-step SDCM	93 CRI <sup>1</sup> , 3-step SDCM	93 CRI <sup>1</sup> , 3-step SDCM
<b>BEAM SPREAD</b>	General Ambient (90°+), Narrow Spot (15°), Spot (25°), Flood (40°), Wide Flood (60°), Linear Spread (40° x 20°), Soft Focus	General Ambient (90°+), Spot (25°), Flood (40°), Wide Flood (60°), Linear Spread (40° x 20°), Soft Focus	General Ambient (90°+), Spot (25°), Flood (40°), Wide Flood (60°), Linear Spread (40° x 20°), Soft Focus
<b>DIMMING</b>	0-10V, TRIAC/ELV <sup>2</sup> , DALI-2 <sup>3</sup>	0-10V, TRIAC/ELV <sup>2</sup> , DALI-2	DALI-2
<b>LED CHIP</b>	Cree	Bridgelux	Bridgelux
<b>LISTINGS</b>	ENERGY STAR <sup>®</sup> qualified <sup>4</sup> , California Title 24 2016-2022 JA8-E compliant, UL Listed for Wet Location <sup>5</sup> , UL Certified US-CA, Declare, RoHS compliant, Shatter-resistant Construction, NSF/ANSI 2 listed, suitable for splash-zone <sup>6</sup> , DALI-2 Compliant, Dark Sky Compliant <sup>7</sup> , Compliant with FCC CFR Title 47 Part 15; Class B		

<sup>1</sup> Tested in accordance to IESNA LM-79-2008

<sup>2</sup> Dimming at 120V only

<sup>3</sup> Only available in 1250lm (14.5W)

<sup>4</sup> Refer to ENERGY STAR Certified light fixtures database

<sup>5</sup> Covered areas & Flanged Trims only

<sup>6</sup> This product is evaluated in accordance to NSF/ANSI 2 for Splash Zone having designated trim finishes

<sup>7</sup> DarkSky Approved is only applicable to CCT Options less than or equal to 3000K

## ADDITIONAL

**INPUT VOLTAGE:** 120/277V, 50/60Hz

**MAX INPUT CURRENT (120V):** 0.13 amps

**MAX INPUT CURRENT (277V):** 0.065 amps

**CONNECTOR:** PowerPlug<sup>®</sup> Luminaire Disconnect Model 182, 6-pin Molex

**POWER FACTOR:** Greater than 0.9

**TOTAL HARMONIC DISTORTION:** Less than 20%

**AMBIENT OPERATING TEMPERATURE:** -20°C to 40°C

**WARRANTY:** 5 year limited warranty; 50,000 hours at 70% lumen maintenance

### MODULE PERFORMANCE

Based on 93 CRI, 3000K Module + STD White + Trim (M4TRSWH)

(Please refer to IES files for other trim types)

		STATIC CCT				WARM DIM	T1 TUNABLE WHITE	T2 TUNABLE WHITE
<b>LED CHIP</b>		CREE 93 CRI				Bridgelux 93 CRI		
<b>SDCM</b>		2-STEP				3-STEP		
<b>PN DESIGNATION</b>		<b>07</b>	<b>10</b>	<b>12</b>	<b>15</b>	<b>10</b>	<b>10</b>	<b>10</b>
<b>WATTAGE</b>		<b>9.5W</b>	<b>12.5W</b>	<b>14.3W</b>	<b>14.3W</b>	<b>12.5W</b>	<b>14.5W</b>	<b>14.5W</b>
<b>NS</b>	Lumens	718	983	1111	1278	N/A		
	LPW <sup>1</sup>	75.6	78.6	77.7	89.3			
	CBCP <sup>2</sup>	6227	8530	9639	11089			
	UGR <sup>3</sup>	13	14.1	14.5	15			
<b>SP</b>	Lumens	696	953	1077	1239	848	994	1094
	LPW	73.3	76.2	75.3	86.6	67.9	68.6	75.4
	CBCP	2131	2919	3298	3795	2598	2254	2479
	UGR	13.2	14.3	14.7	15.2	13.8	16.5	16.8
<b>FL</b>	Lumens	685	939	1061	1221	836	981	1079
	LPW	72.1	75.1	74.2	85.4	66.9	67.7	74.4
	CBCP	1196	1638	1851	2130	1458	1257	1382
	UGR	14.9	16	16.4	16.9	15.6	17.4	17.7
<b>WF</b>	Lumens	677	928	1049	1206	826	956	1052
	LPW	71.3	74.2	73.3	84.3	66.1	66	72.6
	CBCP	696	953	1077	1239	848	1090	1199
	UGR	17.3	18.4	18.8	19.3	18	17.8	18.1
<b>GA</b>	Lumens	654	896	1012	1165	797	1031	1134
	LPW	68.8	71.7	70.8	81.5	63.8	71.1	78.2
	CBCP	264	362	409	470	322	595	655
	UGR	22.1	23.2	23.6	24.1	22.8	21.8	22.2

<b>CCT MULTIPLIER</b>	STATIC				WARM DIM		T1 TUNABLE WHITE			T2 TUNABLE WHITE		
	2700K	3000K	3500K	4000K	1800K	3000K	1800K	3000K	4000K	2700K	3000K	6500K
	0.93	1	1.05	1.07	0.05	1	0.73	1	1.12	0.96	1	1.07

<b>EMERGENCY BATTERY MULTIPLIER</b>	LPW x 5
-------------------------------------	---------

<sup>1</sup> LPW: Lumen per watt

<sup>2</sup> CBCP: Center beam candlepower

<sup>3</sup> UGR: Unified glare ratio (0.7/0.5/0.2, 4H/8H)

## HOUSING

# M Series

New Construction

### SUMMARY

**JUNCTION BOX:** Equipped with 10 knockouts: two 1/2" and two 3/4" trade size knockouts on top, two 1/2" trade size knockouts on side, four romex knockouts on top. Approved for 8 (four in, four out) #12 AWG 70°C.

**MOUNTING:** Adjustable Bar Hangers compatible with traditional joists, Armstrong™, Hat Channel, and T-Bar can accommodate the following spacing:

Standard Version (Deep): 7 1/2" to 24" Joist spacing

Low Profile/Emergency/Alt Dimming Version: 9" to 24"

**CEILING:** Pre-installed mounting brackets allow vertical adjustment of bar hangers up to 1 1/4"

Standard Version (Deep): 1/2" to 1 3/4"

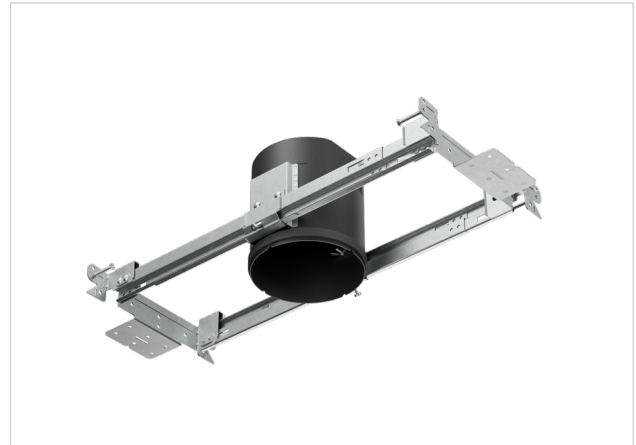
Low Profile/Emergency/Alt Dimming Version: 1/2" to 1 1/4"

Super Shallow: 1/2" - 1 1/2" *(Coming Soon)*

**CUTOUT:** 4 1/4" (108mm) round opening

**LISTINGS:** Metallic outlet box certified UL514A, code compliant for use in appropriate fire-rated assemblies for up to 2-hours (Fire Rated only), STC/IIC Sound Rated, ASTM E283 certified Air Tight, IC (Insulation Contact) Rated, Compliant to FCC Title 46 Part 15; Class B

**WARRANTY:** 5 year limited warranty



### ALTERNATE DIMMING SPECIFICATIONS

**INPUT VOLTAGE:** 120/277V, 50/60Hz

**MAX INPUT CURRENT (120V):** 0.130 amps

**MAX INPUT CURRENT (277V):** 0.065 amps

**POWER FACTOR:** Greater than 0.9

**TOTAL HARMONIC DISTORTION:** Less than 20%

### EMERGENCY BATTERY SPECIFICATIONS

**ILLUMINATION TIME:** 90min

**WATTAGE IN EM STATE:** 5W

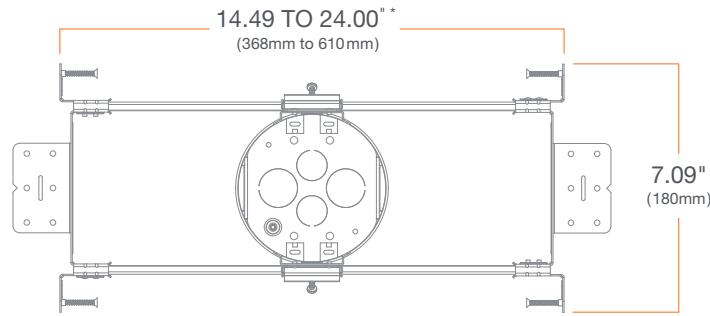
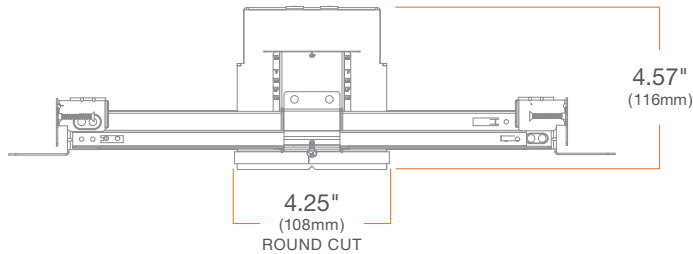
**LUMEN OUTPUT IN EM STATE:** LPW x 5

#### TEST SWITCH OPTIONS:

- **INTEGRATED TEST SWITCH (-EM HOUSING):**  
Requires Compatible trim available in flanged, standard style only (M4TRSxxEM)
- **REMOTE TEST SWITCH(-ES HOUSING):**  
Must be installed according to local code, can be used with any flanged, flangeless, or decorative trim type

New Construction

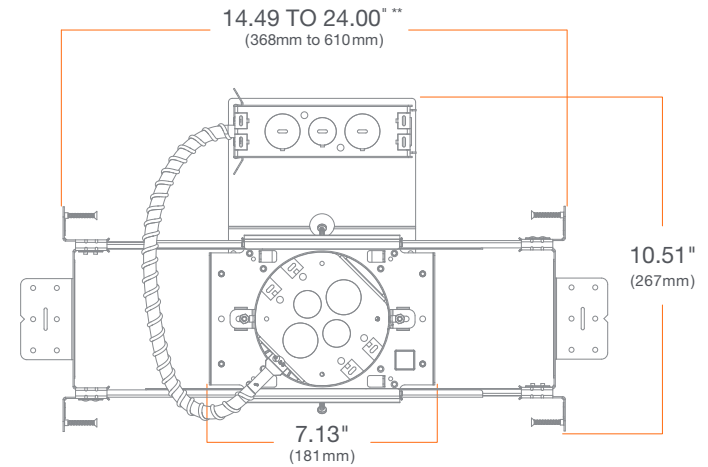
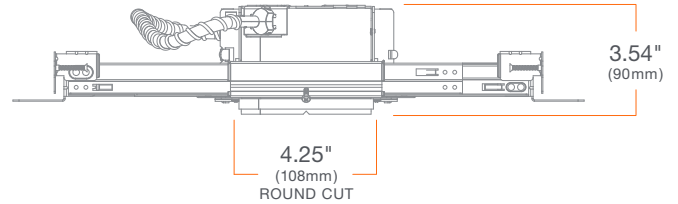
- M4NCRS (Standard)
- M4NCRF (Fire Rated)
- M4CPRS (Chicago Plenum)



\* Can be field cut to minimum 7 1/2" (191mm) for a range of 7 1/2" (191mm) - 24" (610mm)  
\*\* Can be field cut to minimum 9" (229mm) for a range of 9" (229mm) - 24" (610mm)

Low-Profile

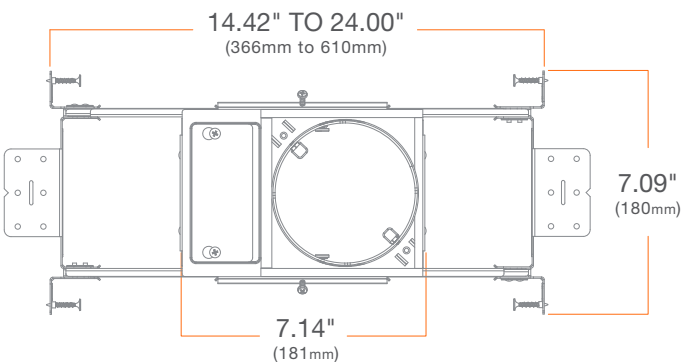
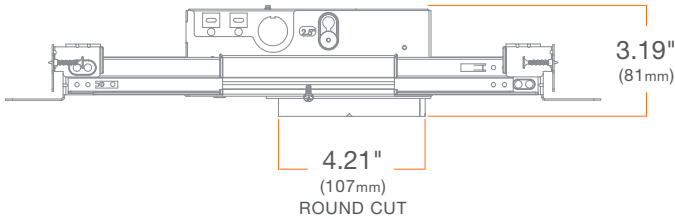
- M4LTRS (Standard, TRIAC/ELV)
- M4LTRF (Fire Rated, TRIAC/ELV)
- M4LORS (Standard, 0-10V)
- M4LORF (Fire Rated, 0-10V)



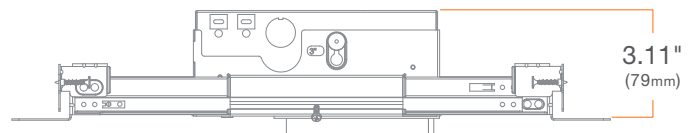
Super Shallow

- M4NSRS

- M4NSRS + Standard TRIAC/ELV or 0-10V Dimming (No Expansion Feature Required)

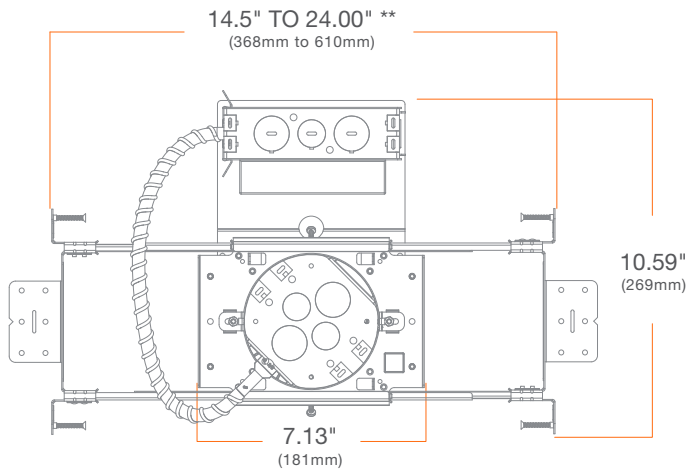
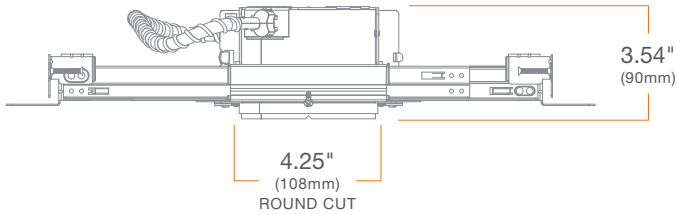


- M4NSRS + DALI-2 Dimming Modules (Require Expansion Feature Outlined below)



Athena Wireless Node (Coming Soon)

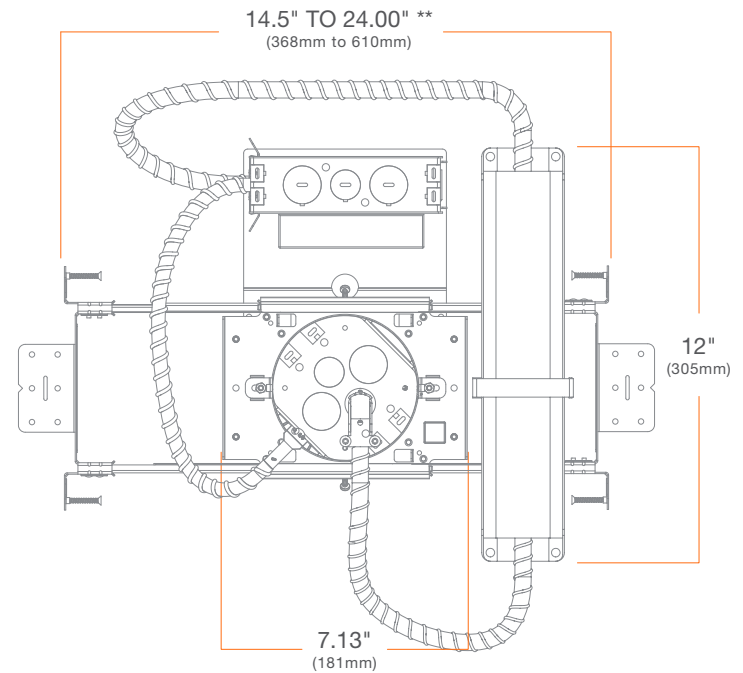
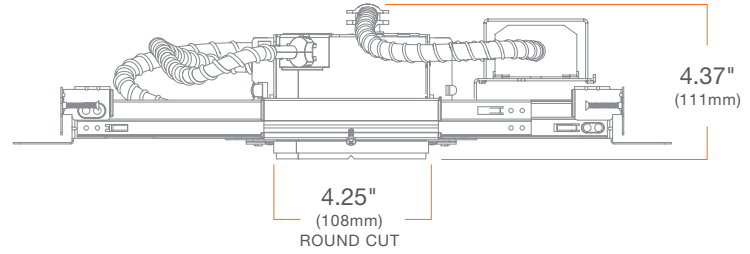
- M4NCRSxxAWNR (Standard)
- M4NCRFxxAWNR (Fire Rated)



\*\* Can be field cut to minimum 9" (229mm) for a range of 9" (229mm) - 24" (610mm)

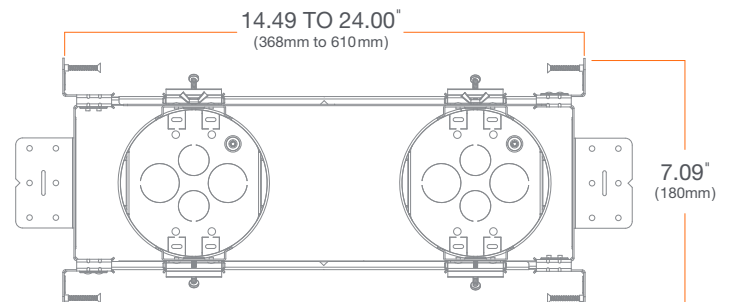
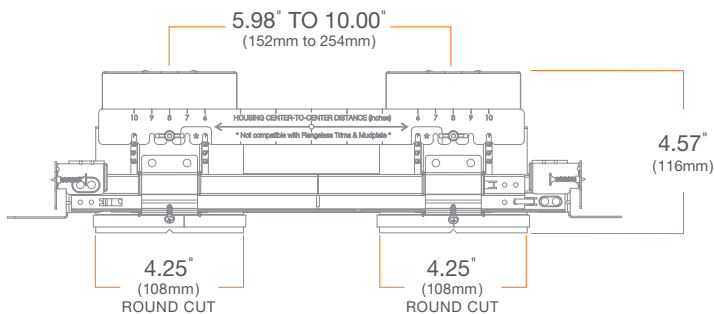
Emergency Lighting

- M4NCRSxxxEM (Standard)
- M4NCRFxxxEM (Fire Rated)



Double Housing

M4DHRS



## HOUSING



## M Series

Spray Foam

**M4SFRS**

### SUMMARY

**JUNCTION BOX:** Equipped with six knockouts: four 1/2" trade size knockouts, two 3/4" trade size knockouts, and four romex knockouts. Approved for 8 (four in, four out) #12 AWG 70° C

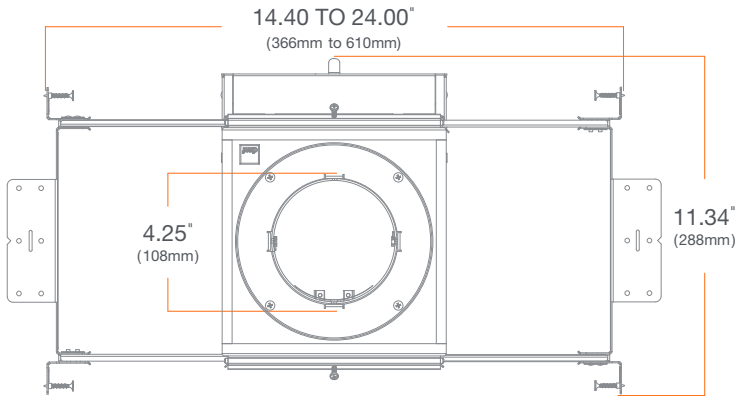
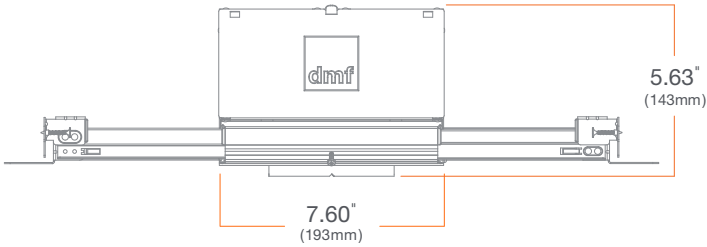
**MOUNTING:** Adjustable Bar Hanger for 16" to 24" joist spacing. Compatible with traditional joists, Armstrong™ ceiling, Hat Channel and T-bar

**CEILING:** Center Collar allows for vertical adjustment to accommodate from 1/2" to 2" thickness

**CUTOUT:** 4 1/4" (108mm) round opening

**LISTINGS:** ASTM E283 certified Air Tight, IC (Insulation Contact) up to R-32 for Roll, Batt, and Loose Fill, up to R-60 Spray Foam with standard trims, up to R-32 Spray Foam with other trims

**WARRANTY:** 5 year limited warranty



### HOUSING



## M Series

Remodel

### SUMMARY

**JUNCTION BOX:** Equipped with 8 knockouts: two 1/2" and two 3/4" trade size knockouts on top, four romex knockouts on top. Approved for 8 (four in, four out) #12 AWG 70°C.

**MOUNTING:** Pre-installed mounting spring clips

**CEILING:** Standard Version : 1/2" up to 1 1/4"  
Fire Rated Version : 5/8 up to 1 1/4"

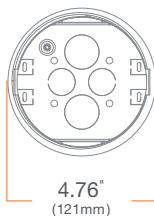
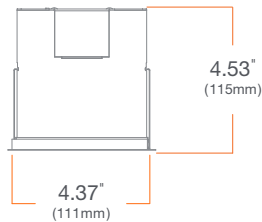
**CUTOUT:** Standard Version : 4 3/8" (111mm) round opening  
Fire Rated Version : 4 1/2" (114mm) round opening

**LISTINGS:** Metallic outlet box certified UL514A, code compliant for use in appropriate fire-rated assemblies for up to 2-hours (Fire Rated only), STC/IIC Sound Rated, ASTM E283 certified Air Tight, IC (Insulation Contact) Rated

**WARRANTY:** 5 year limited warranty

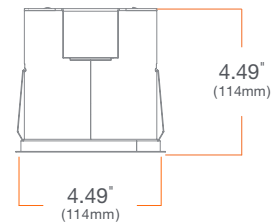
### Standard

#### M4RMRS



### Fire Rated

#### M4RMRF



## HOUSING



## M Series

Concrete Construction

**M4CC**

### SUMMARY

**JUNCTION BOX:** Equipped with (4) trade size concentric knockouts (3/4" + 1/2") to allow straight conduit runs. Approved for 8 (four in, four out) #12 AWG 90°C.

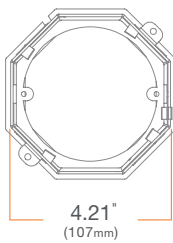
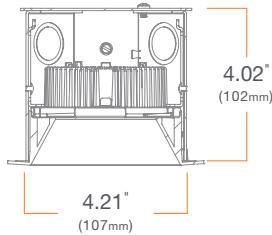
**MOUNTING:** (2) external tabs for wood, steel or concrete mounting

**COVER:** Removable top cover for easy access to electrical wiring work prior to concrete pour

**APPLICATION:** Poured deck (floor) high-rise new construction

**LISTINGS:** Metallic outlet box certified UL514A, concrete tight, code compliant for use in appropriate fire-rated assemblies for up to 2-hours, STC/IIC Sound Rated, ASTM E283 certified Air Tight

**WARRANTY:** 5 year limited warranty



### TRIMS



## M Series

4" Round Trims

**M4TR**

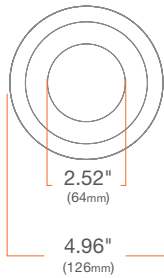
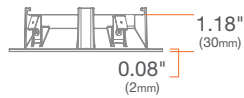
### SUMMARY

**CONSTRUCTION:** Die-cast aluminum

**INSTALLATION:** Twist & Lock

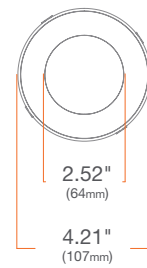
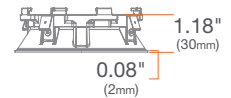
### Standard

**M4TRSWH**



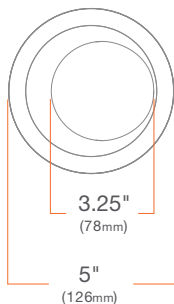
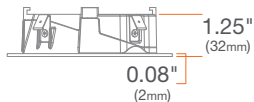
### Standard Flangeless

**M4TRSWHFL**



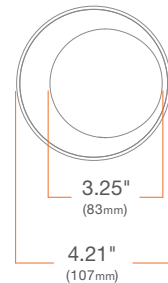
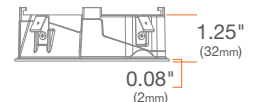
### Wall Wash/Sloped Ceiling

**M4TRLWH**



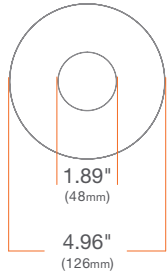
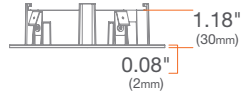
### Wall Wash/Sloped Ceiling Flangeless

**M4TRLWHFL**



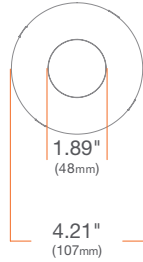
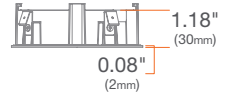
Pinhole

M4TRPWH



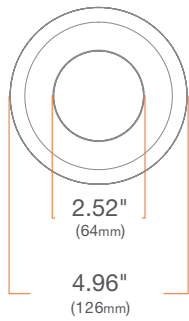
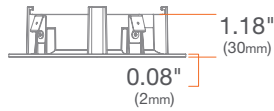
Pinhole Flangeless

M4TRPWHFL



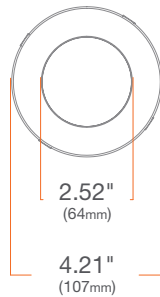
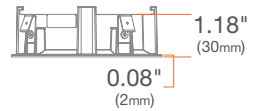
Hyperbolic

M4TRHWH



Hyperbolic Flangeless

M4TRHWHFL

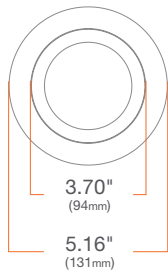
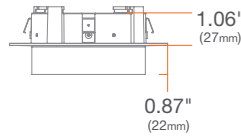


Decorative Closed

Frosted: M4TRSWHDCF

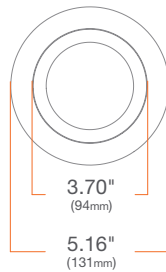
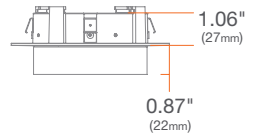
Clear, Frosted Inside: M4TRSWHDCC

Clear, Frosted Sides: M4TRSWHDCCF



Decorative Open

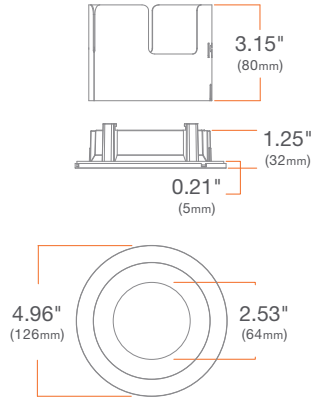
Frosted: M4TRSWHDOF



## Standard Marine Grade/IP66

Coming Soon

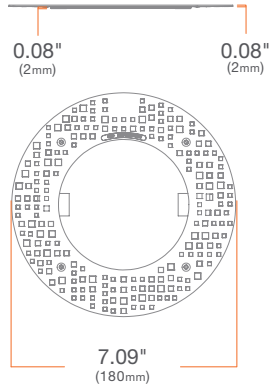
### M4TRSWHIP



## ACCESSORIES

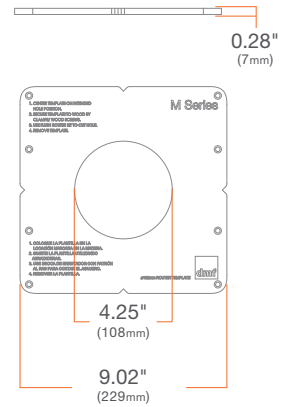
### Flangeless Mud Plate

#### M4XRMUD



### Router Template

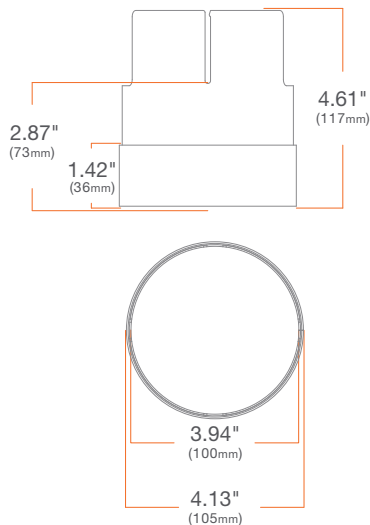
#### M4KRTEMPLATE



### Extension Collar

\*For use with Standard New Construction Only

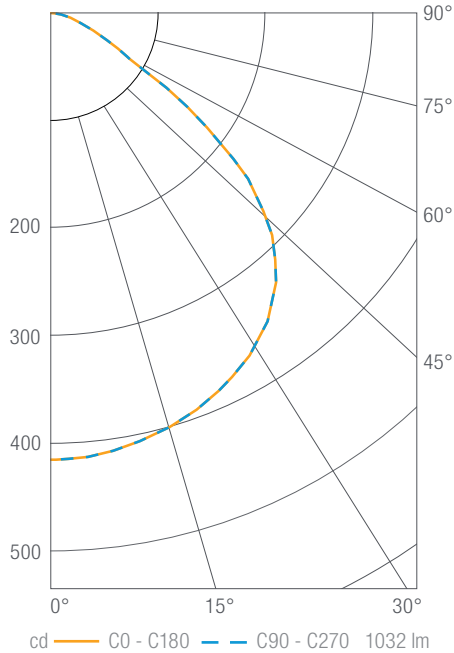
#### M4CREXT



PHOTOMETRY

**DRD2** 1000 lm, 3000K, General Ambient

DRD2M10930GA



Luminous Intensity

Gamma	C 0°
0°	416
5°	415
10°	410
15°	403
20°	394
25°	382
30°	369
35°	351
40°	327
45°	291
50°	240
55°	162
60°	84
65°	54
70°	33
75°	21
80°	12
85°	6
90°	1

Values in candela

Zonal Lumen Summary

Zone	Lumens	Luminaire %
0-30	333	32
0-40	557	54
0-60	942	91
0-90	1024	99
0-180	1032	100

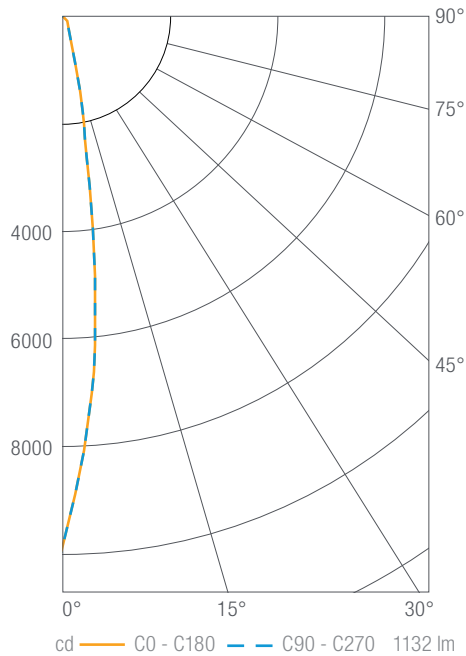
Illuminance Chart

Distance from LED	Foot Candles	Diameter
3'	46	7.8'
6'	12	15.5'
9'	5	23.3'
12'	3	31.1'

Beam Angle: 100°

**DRD2** 1000 lm, 3000K, Narrow Spot

DRD2M10930NS



Luminous Intensity

Gamma	C 0°
0°	9823
5°	6600
10°	2335
15°	734
20°	357
25°	244
30°	195
35°	159
40°	116
45°	85
50°	61
55°	42
60°	28
65°	16
70°	7
75°	4
80°	2
85°	1
90°	0

Values in candela

Zonal Lumen Summary

Zone	Lumens	Luminaire %
0-30	906	80
0-40	1004	89
0-60	1110	98
0-90	1131	100
0-180	1132	100

Illuminance Chart

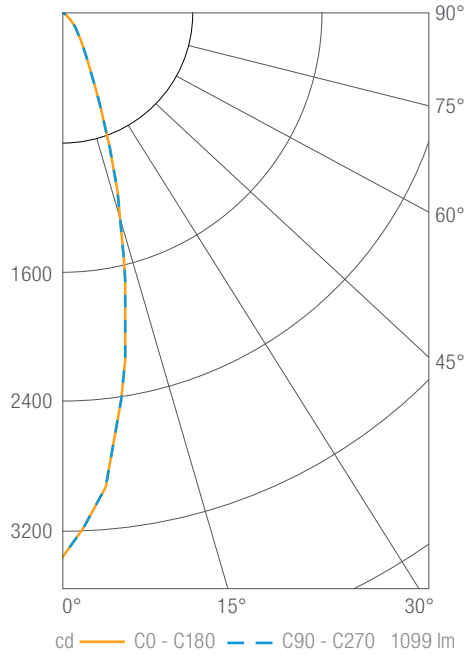
Distance from LED	Foot Candles	Diameter
3'	1091	0.7'
6'	273	1.5'
9'	121	2.2'
12'	68	2.9'

Beam Angle: 14°

### PHOTOMETRY

#### DRD2 1000 lm, 3000K, Spot

DRD2M10930SP



#### Luminous Intensity

Gamma	C 0°
0°	3366
5°	2967
10°	2203
15°	1391
20°	775
25°	419
30°	248
35°	167
40°	119
45°	87
50°	62
55°	43
60°	26
65°	15
70°	7
75°	4
80°	2
85°	1
90°	0

Values in candela

#### Zonal Lumen Summary

Zone	Lumens	Luminaire %
0-30	862	78
0-40	971	88
0-60	1078	98
0-90	1098	100
0-180	1099	100

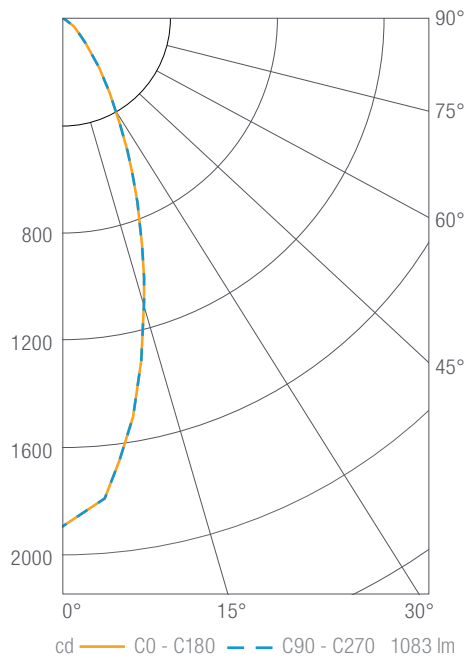
#### Illuminance Chart

Distance from LED	Foot Candles	Diameter
3'	374	1.4'
6'	93	2.8'
9'	42	4.2'
12'	23	5.6'

Beam Angle: 26°

#### DRD2 1000 lm, 3000K, Flood

DRD2M10930FL



#### Luminous Intensity

Gamma	C 0°
0°	1890
5°	1792
10°	1503
15°	1161
20°	849
25°	589
30°	391
35°	256
40°	162
45°	107
50°	74
55°	51
60°	30
65°	18
70°	8
75°	5
80°	3
85°	1
90°	0

Values in candela

#### Zonal Lumen Summary

Zone	Lumens	Luminaire %
0-30	760	70
0-40	925	85
0-60	1058	98
0-90	1081	100
0-180	1083	100

#### Illuminance Chart

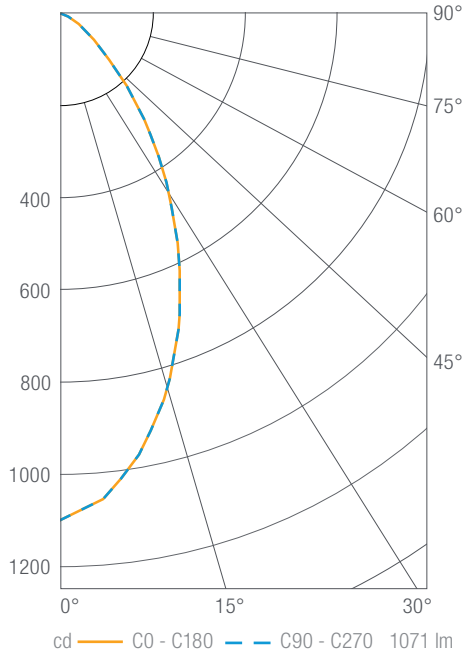
Distance from LED	Foot Candles	Diameter
3'	210	2.0'
6'	52	4.0'
9'	23	6.0'
12'	13	8.0'

Beam Angle: 37°

### PHOTOMETRY

#### DRD2 1000 lm, 3000K, Wide Flood

DRD2M10930WF



Luminous Intensity

Gamma	C 0°
0°	1100
5°	1058
10°	973
15°	866
20°	743
25°	609
30°	478
35°	361
40°	252
45°	161
50°	102
55°	68
60°	41
65°	24
70°	11
75°	6
80°	4
85°	2
90°	0

Values in candela

Zonal Lumen Summary

Zone	Lumens	Luminaire %
0-30	620	58
0-40	845	79
0-60	1037	97
0-90	1069	100
0-180	1071	100

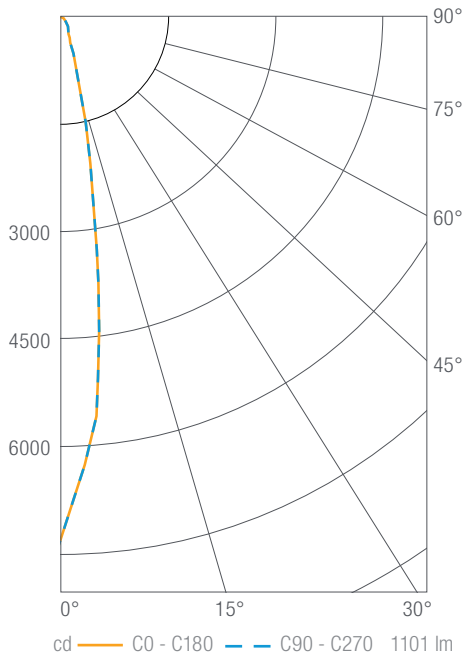
Illuminance Chart

Distance from LED	Foot Candles	Diameter
3'	122	3.1'
6'	31	6.2'
9'	14	9.3'
12'	8	12.3'

Beam Angle: 55°

#### DRD2 1000 lm, 3000K, Soft Focus

DRD2M10930SF



Luminous Intensity

Gamma	C 0°
0°	7280
5°	5603
10°	2489
15°	875
20°	381
25°	247
30°	194
35°	161
40°	122
45°	90
50°	64
55°	45
60°	28
65°	16
70°	7
75°	4
80°	2
85°	1
90°	0

Values in candela

Zonal Lumen Summary

Zone	Lumens	Luminaire %
0-30	868	79
0-40	968	88
0-60	1078	98
0-90	1100	100
0-180	1101	100

Illuminance Chart

Distance from LED	Foot Candles	Diameter
3'	809	0.9'
6'	202	1.7'
9'	90	2.6'
12'	51	3.4'

Beam Angle: 16°