

M Series

Project:	Type:
Product Code:	Date:

V 032626



4" Round Downlight

Modular System Flexibility during and after installation with interchangeable modules, optics and trims

Quick Install Embedded driver and plug-and-play connection require no wiring

High Performance Precise lighting control without sacrificing stellar efficiency

Enhanced Dimming Smooth, Flicker-free dimming options down to 0.1%

INSTALLATION

Ceiling Thickness

- New Construction: 1/2" up to 1 3/4"
- Spray Foam: 1/2" up to 2"
- Standard Remodel: 1/2" up to 1 1/4"
- Fire Rated Remodel: 5/8" up to 1 1/4"
- Low Profile: 1/2" up to 1 1/4"
- Extension Collar: 1 3/4" up to 3" ¹
- Super Shallow: 1/2" up to 1 1/2"
- Lutron Athena Node: 1/2" to 2"

Ceiling Material

Drywall, Millwork, Concrete, Acoustic Ceiling Tiles

TRIMS

Aperture

4"

Shape

Round

Style

Standard, Flangeless, Dead Front, Wall Wash/Sloped Ceiling, Pinhole, Hyperbolic, Decorative, Coastal Marine Grade/IP66

Finish

White, Black, Bronze, Clear Diffuse, Custom Color (RAL Color)

LIGHT OUTPUT & DISTRIBUTION

Module

Downlight

Lumens (Power)

750 lm (9.5W), 1000 lm (12.5W), 1250 lm (14.3W), 1500 lm (14.3W)

Color Quality

93 CRI, 2-step SDCM

Color Temperature

- 2400K
- 2700K
- 3000K
- 3500K
- 4000K
- Warm Dim (3000K-1800K)
- Tunable White (4000K-1800K)
- Tunable White (6500K-2700K)

Beam Spread

- 15° Narrow Spot
- 25° Spot
- 40° Flood
- 60° Wide Flood
- 90°+ General
- 40° x 20° Linear Spread
- Soft Focus

MAINTENANCE

The driver and LED chip are embedded within the module for fully touch safe replacement from below the ceiling

POWER & CONTROLS

Input Voltage

120/277V

Dimming

0-10V (1%), DALI-2 (0.1%), TRIAC/ELV (1%), Lutron Athena Wireless Node (1%)

RATINGS & CERTIFICATIONS

Housing

- IC (Insulation Contact) Rated
- ASTM E283 Certified Air Tight
- Code compliant for use in fire-rated assemblies up to a maximum of 2-hours
- STC/IIC Sound Rated
- Chicago Plenum
- RoHS Compliant
- DarkSky Approved ²

Module and Trim

- UL Listed for Wet Location/IP66 Configurations Available ³
- NSF Listed ⁴

Warranty

5 year limited warranty; 50,000 hours

¹ For use with Standard New Construction, Spray Foam, Chicago Plenum and Double Housing

² Downlight only, CCT less than or equal to 3000K, non-decorative trims only

³ Flanged trims, under covered areas only

⁴ White and Black Finish Only





DMF LightSpeed
Our Quickest Shipping Selections are Highlighted for shipping in **2 days or less**
All other items qty 100 or less ship in 5 days or less (custom color & premium metalized finishes excluded)

M Series

4" Round Downlight

PRODUCT BUILDER - EMBEDDED TRIAC/ELV, 0-10V, & DALI-2

M SERIES HOUSING

EXAMPLE: **M4NCRS**

PRODUCT CODE		INSTALLATION		SHAPE		RATING	
M4	4" Housing			R	Round		
M4	4" Housing	NC	New Construction	R	Round	S	Standard
		NS	Super Shallow ^{1,2}			F	Fire Rated
		CP	Chicago Plenum ¹				
		LP	Low Profile (3" Plenum) ^{2,3,4}				
		DH	Double Housing ^{1,5}				
		RM	Remodel ^{2,6}				
		SF	Spray Foam ¹				

M4CC	Concrete Tight ^{2,3,6}
-------------	---------------------------------

DRD MODULE

EXAMPLE: **DRD2M07924GAT**

PRODUCT CODE		LUMENS		CRI	CCT ⁷		BEAM SPREAD		DIMMING		
DRD2M	Downlight			9							
DRD2M	Downlight	07	750 lm	9	93	24	2400K ⁵	GA	General Ambient (90°+)	T	TRIAC/ELV
		10	1000 lm			27	2700K	NS	Narrow Spot (15°) ¹⁰	O	0-10V
		12	1250 lm			30	3000K	SP	Spot (25°)	D	DALI-2 ¹¹
		15	1500 lm			35	3500K	FL	Flood (40°)		
						40	4000K	WF	Wide Flood (60°)		
						3W	Warm Dim (3000K–1800K) ⁸	LS	Linear Spread (40°x 20°)		
						T1	Tunable White (4000K–1800K) ⁹	SF	Soft Focus		
						T2	Tunable White (6500K–2700K) ⁹				

M SERIES TRIM

EXAMPLE: **M4TRSWH**

PRODUCT CODE		FINISH		OPTION	
M4TRS	Standard	WH	White	[Blank]	None
M4TRH	Hyperbolic ¹²	BK	Black	DOF	Decorative: Open, Frosted ^{6,14,15}
M4TRP	Pinhole ^{5,12}	BZ	Bronze	DCC	Decorative: Closed, Clear, Frosted Side ^{6,14,15}
M4TRL	Wall Wash/Sloped Ceiling ¹³	CW	Clear Diffuse, White Flange	DCCF	Decorative: Closed, Clear, Frosted Inside ^{6,14,15}
		CC	Custom Color (RAL Colors)	FL	Flangeless ^{16,18}
				DF	Dead Front ^{3,14,17}
				IP	Coastal Marine Grade/IP66 ¹⁹

M4XRMD	Flangeless Mud Plate <i>(Required for Flangeless Trim drywall installation)</i>
M4KRTEMLATE	Router Template <i>(Recommended for wood installation)</i>
M4CREXT	Extension Collar ¹ <i>(for ceiling install up to 3")</i>

¹² Only available in White, Black or Custom Color finish

¹³ Recommended with General Ambient beam spread for general wallwashing and Spot beam spread for Sloped Ceiling; Not available in Bronze finish

¹⁴ Only available in Standard style, White finish

¹⁵ Only available with General Ambient beam spread

¹⁶ Not available for Decorative option, Concrete Construction or Remodel housing; Not available in Clear Diffuse finish

¹⁷ Only available for 750 lm

¹⁸ Mudplate is required for all Flangeless trims except for wood ceiling applications

¹⁹ Only available in Standard style, White or Black Marine Grade Finish; Only Compatible with New Construction, Chicago Plenum, Double Housing, or Spray Foam housings

¹ Only available in Standard rating

² Not Compatible with Coastal Marine Grade Trim

³ Not available in DALI-2 dimming

⁴ Only available in Fire Rated Rating

⁵ Only available for 750 lm or 1000 lm

⁶ Not available for Flangeless applications

⁷ DarkSky approved only applicable to configurations with CCT Options 3000K or less and not compatible with Decorative trims

⁸ Only available in 1000 lm

⁹ Only available in 1000 lm, DALI-2 dimming

¹⁰ Not available in Warm Dim CCT or Tunable White

¹¹ Only available in 1000 lm Tunable White or Warm Dim and 1250 lm static CCT



DMF LightSpeed
Our Quickest Shipping Selections are Highlighted for shipping in **2 days or less**
All other items qty 100 or less ship in 5 days or less (custom color & premium metalized finishes excluded)

M Series

4" Round Downlight

PRODUCT BUILDER - EMERGENCY LIGHTING

M SERIES HOUSING

EXAMPLE: **M4NCRS07TEM**

PRODUCT CODE		INSTALLATION		SHAPE		RATING		LUMEN		DIMMING		OPTION	
M4	4" Housing	NC	New Construction	R	Round	F	Fire Rated	07	750 lm	T	TRIAC/ELV for EM only	EM	EM Driver, Integrated Switch ¹
								10	1000 lm	O	0-10V for EM only	ES	EM Driver, Remote Switch
								12	1250 lm				
								15	1500 lm				

DRD MODULE

EXAMPLE: **DRD2M07924GAA**

PRODUCT CODE		LUMENS		CRI		CCT ²		BEAM SPREAD		DIMMING	
DRD2M	Downlight			9	93 CRI					A	Alternate
DRD2M		07	750 lm	9	93 CRI	24	2400K ³	GA	General Ambient (90°+)	A	Alternate
		10	1000 lm			27	2700K	NS	Narrow Spot (15°) ⁵		
		12	1250 lm			30	3000K	SP	Spot (25°)		
		15	1500 lm			35	3500K	FL	Flood (40°)		
						40	4000K	WF	Wide Flood (60°)		
						3W	Warm Dim ⁴ (3000K-1800K)	LS	Linear Spread (40°x 20°)		
								SF	Soft Focus		

M SERIES TRIM

EXAMPLE: **M4TRSWHEM**

PRODUCT CODE		FINISH		OPTION	
M4TRS	Standard	WH	White	[Blank]	None
M4TRH	Hyperbolic ⁶	BK	Black	DOF	Decorative: Open, Frosted ^{2,8,9}
M4TRP	Pinhole ^{3,6}	BZ	Bronze	DCC	Decorative: Closed, Clear, Frosted Side ^{2,8,9}
M4TRL	Wall Wash/Sloped Ceiling ⁷	CW	Clear Diffuse, White Flange	DCCF	Decorative: Closed, Clear, Frosted Inside ^{2,8,9}
		CC	Custom Color (RAL Colors)	FL	Flangeless ¹⁰
				DF	Dead Front ^{8,11}
				EM	Integrated Test Switch ^{1,12}

M4XRMUD	Flangeless Mud Plate (Required for Flangeless Trim drywall installation)
M4KRTEMPLATE	Router Template (Recommended for wood installation)

¹ Integrated Test Switch option required for both housing and trim

² DarkSky approved only applicable to configurations with CCT options 3000K or less and not compatible with Decorative trims

³ Only available for 750 lm or 1000 lm

⁴ Only available in 1000 lm

⁵ Not available in Warm Dim CCT

⁶ Only available in White, Black or Custom Color finish

⁷ Recommended with General Ambient beam spread for General wallwashing and Spot beam spread for sloped ceiling application; Not available in Bronze finish

⁸ Only available in Standard style, White finish

⁹ Only available with General Ambient beam spread

¹⁰ Not available for Decorative option; Mudplate required for all Flangeless trims except wood install; Not available in Clear Diffuse finish

¹¹ Only available for 750 lm

¹² Only available in Standard style with White or Clear Diffuse finish



DMF LightSpeed

Our Quickest Shipping Selections are Highlighted for shipping in 2 days or less
All other items qty 100 or less ship in 5 days or less (custom color & premium metalized finishes excluded)

M Series

4" Round Downlight

PRODUCT BUILDER - AWN (Lutron Athena Node)

M SERIES HOUSING

EXAMPLE: M4NCRSAWN

PRODUCT CODE		INSTALLATION		SHAPE		RATING		WIRELESS	
M4		NC		R		S		AWN	
M4	4" Housing	NC	New Construction	R	Round	S	Standard	AWN	Lutron Athena Node

DRD MODULE

EXAMPLE: DRD2M07924GAO

PRODUCT CODE		LUMENS		CRI	CCT ¹		BEAM SPREAD		DIMMING		
DRD2M				9					O		
DRD2M	Downlight	07	750 lm	9	93 CRI	24	2400K ²	GA	General Ambient (90°+)	O	0-10V
		10	1000 lm			27	2700K	NS	Narrow Spot (15°) ⁴		
		12	1250 lm			30	3000K	SP	Spot (25°)		
		15	1500 lm			35	3500K	FL	Flood (40°)		
						40	4000K	WF	Wide Flood (60°)		
						3W	Warm Dim ³ (3000K-1800K)	LS	Linear Spread (40°x 20°)		
								SF	Soft Focus		

M SERIES TRIM

EXAMPLE: M4TRSWH

PRODUCT CODE		FINISH		OPTION	
M4TRS	Standard	WH	White	[Blank]	None
M4TRH	Hyperbolic ⁵	BK	Black	DOF	Decorative: Open, Frosted ^{1,7,8}
M4TRP	Pinhole ^{2,5}	BZ	Bronze	DCC	Decorative: Closed, Clear, Frosted Side ^{1,7,8}
M4TRL	Wall Wash/Sloped Ceiling ⁶	CW	Clear Diffuse, White Flange	DCCF	Decorative: Closed, Clear, Frosted Inside ^{1,7,8}
		CC	Custom Color (RAL Colors)	FL	Flangeless ⁹
				DF	Dead Front ^{7,10}

M4XRMUD	Flangeless Mud Plate (Required for Flangeless Trim drywall installation)
M4KRTEMPLATE	Router Template (Recommended for wood installation)

¹ DarkSky approved only applicable to configurations with CCT options 3000K or less and not compatible with Decorative trims

² Only available for 750 lm or 1000 lm

³ Only available in 1000 lm

⁴ Not available in Warm Dim CCT

⁵ Only available in White, Black or Custom Color finish

⁶ Recommended with General Ambient beam spread for general wallwashing and Spot beam spread for sloped ceiling; Not available in Bronze finish

⁷ Only available in Standard style, White finish

⁸ Only available with General Ambient beam spread

⁹ Damp Listing only; Not available for Decorative option; Mudplate required for all Flangeless trims except wood install; Not available in Clear Diffuse finish

¹⁰ Only available for 750 lm



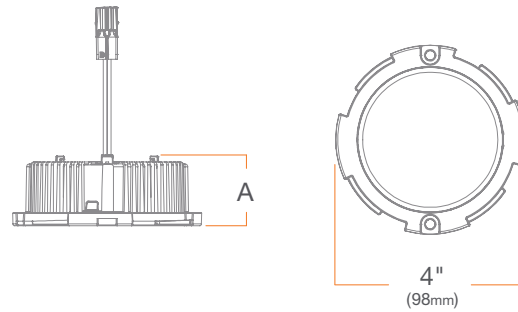
PRODUCT BUILDER

OPTICS ACCESSORIES

EXAMPLE: **DRD2X-GA**

PRODUCT CODE	
DRD2X-GA	Fixed Conversion Kit: DRD2 Module to General Ambient (90°+)
DRD2X-NS	Fixed Narrow Spot (15°)
DRD2X-SP	Fixed Spot (25°)
DRD2X-FL	Fixed Flood (40°)
DRD2X-WF	Fixed Wide Flood (60°)
DRD2X-LS	Fixed Linear Spread (40° x 20°)
DRD2X-SF	Fixed Soft Focus
DRD2X-OP	Fixed Optics Kit: Narrow Spot (15°), Spot (25°), Flood (40°), Wide Flood (60°), Linear Spread (40° x 20°), Soft Focus

MODULE



Measurements	A
Standard	1 7/16" [37 mm]
DALI-2	2" [50 mm]

SUMMARY

	STATIC CCT	WARM DIM	TUNABLE WHITE
CCT	2400K, 2700K, 3000K, 3500K, 4000K	3000K - 1800K	4000K - 1800K; 6500K - 2700K
LUMENS (POWER)	750 lm (9.5W), 1000 lm (12.5W) 1250 lm (14.3W), 1500lm (14.3W)	1000 lm (12.5W)	1000 lm (14.5W)
EFFICACY	79 lm/W, 80 lm/W, 87 lm/W, 105 lm/W	80 lm/W	69 lm/W
COLOR QUALITY	93 CRI ¹ , 2-step SDCM	93 CRI ¹ , 2-step SDCM	93 CRI ¹ , 3-step SDCM
BEAM SPREAD	General Ambient (90°+), Narrow Spot (15°), Spot (25°), Flood (40°), Wide Flood (60°), Linear Spread (40° x 20°), Soft Focus	General Ambient (90°+), Spot (25°), Flood (40°), Wide Flood (60°), Linear Spread (40° x 20°), Soft Focus	General Ambient (90°+), Spot (25°), Flood (40°), Wide Flood (60°), Linear Spread (40° x 20°), Soft Focus
DIMMING	0-10V, TRIAC/ELV ² , DALI-2 ³	0-10V, TRIAC/ELV ² , DALI-2	DALI-2
LED CHIP	Bridgelux (2400K), Cree (All other CCT)	Bridgelux	Bridgelux
LISTINGS	ENERGY STAR [®] qualified ⁴ , California Title 24 2016-2022 JA8-E compliant, UL Listed for Wet Location ⁵ , UL Certified US-CA, Declare, RoHS compliant, Shatter-resistant Construction, NSF/ANSI 2 listed, suitable for splash-zone ⁶ , DALI-2 Compliant, Dark Sky Approved ⁷ , Compliant with FCC CFR Title 47 Part 15; Class B, Marine Grade Finish ⁸ , Suitable for Use in Air-Handling Space – Complies with UL2043		

¹ Tested in accordance to IESNA LM-79-2008

² Dimming at 120V only

³ Only available in 1250lm (14.5W)

⁴ Refer to ENERGY STAR Certified light fixtures database

⁵ Covered areas & Flanged Trims only

⁶ This product is evaluated in accordance to NSF/ANSI 2 for Splash Zone having designated trim finishes

⁷ DarkSky Approved is only applicable to CCT Options less than or equal to 3000K

⁸ Powder coat finish tested in accordance to AAMA 2605-13

ADDITIONAL

INPUT VOLTAGE: 120/277V, 50/60Hz

MAX INPUT CURRENT (120V): 0.13 amps

MAX INPUT CURRENT (277V): 0.065 amps

CONNECTOR: PowerPlug[®] Luminaire Disconnect Model 182, 6-pin Molex

POWER FACTOR: Greater than 0.9

TOTAL HARMONIC DISTORTION: Less than 20%

AMBIENT OPERATING TEMPERATURE: -20°C to 40°C

WARRANTY: 5 year limited warranty; 50,000 hours at 70% lumen maintenance

MODULE PERFORMANCE

Based on 93 CRI, 3000K Module + STD White + Trim (M4TRSWH)
 (Please refer to IES files for other trim types)

		STATIC CCT				WARM DIM	T1 TUNABLE WHITE	T2 TUNABLE WHITE
LED CHIP		Bridgelux 93 CRI (2400K), Cree 93 CRI (All other CCT)					Bridgelux 93 CRI	
SDCM		2-STEP					3-STEP	
PN DESIGNATION		07	10	12	15	10	10	10
WATTAGE		9.5W	12.5W	14.3W	14.3W	12.5W	14.5W	14.5W
NS	Lumens	718	983	1111	1278	N/A		
	LPW ¹	75.6	78.6	77.7	89.3			
	CBCP ²	6227	8530	9639	11089			
	UGR ³	13	14.1	14.5	15			
SP	Lumens	696	953	1077	1239	848	994	1094
	LPW	73.3	76.2	75.3	86.6	67.9	68.6	75.4
	CBCP	2131	2919	3298	3795	2598	2254	2479
	UGR	13.2	14.3	14.7	15.2	13.8	16.5	16.8
FL	Lumens	685	939	1061	1221	836	981	1079
	LPW	72.1	75.1	74.2	85.4	66.9	67.7	74.4
	CBCP	1196	1638	1851	2130	1458	1257	1382
	UGR	14.9	16	16.4	16.9	15.6	17.4	17.7
WF	Lumens	677	928	1049	1206	826	956	1052
	LPW	71.3	74.2	73.3	84.3	66.1	66	72.6
	CBCP	696	953	1077	1239	848	1090	1199
	UGR	17.3	18.4	18.8	19.3	18	17.8	18.1
GA	Lumens	654	896	1012	1165	797	1031	1134
	LPW	68.8	71.7	70.8	81.5	63.8	71.1	78.2
	CBCP	264	362	409	470	322	595	655
	UGR	22.1	23.2	23.6	24.1	22.8	21.8	22.2

CCT MULTIPLIER	STATIC					WARM DIM		T1 TUNABLE WHITE			T2 TUNABLE WHITE		
	2400K	2700K	3000K	3500K	4000K	1800K	3000K	1800K	3000K	4000K	2700K	3000K	6500K
	0.80	0.93	1	1.05	1.07	0.05	1	0.73	1	1.12	0.96	1	1.07

EMERGENCY BATTERY MULTIPLIER	LPW x 5
-------------------------------------	---------

¹ LPW: Lumen per watt

² CBCP: Center beam candlepower

³ UGR: Unified glare ratio (0.7/0.5/0.2, 4H/8H)

HOUSING

M Series

New Construction

SUMMARY

JUNCTION BOX: Equipped with 10 knockouts: two 1/2" and two 3/4" trade size knockouts on top, two 1/2" trade size knockouts on side, four romex knockouts on top. Approved for 8 (four in, four out) #12 AWG 70°C.

MOUNTING: Adjustable Bar Hangers compatible with traditional joists, Armstrong™, Hat Channel, and T-Bar can accommodate the following spacing:

Standard Version (Deep): 7 1/2" (191mm) to 24" (610mm)

Joist spacing :

Low Profile/Emergency Version: 9" (229mm) to 24" (610mm)

Super Shallow: 9 3/8" (238mm) to 24" (610mm)

Lutron Athena Node: 10 1/2" (267mm) to 24" (610mm)

CEILING: Pre-installed mounting brackets allow vertical adjustment of bar hangers up to 1 1/4" (32mm)

Standard Version (Deep): 1/2" (13mm) to 1 3/4" (44mm)

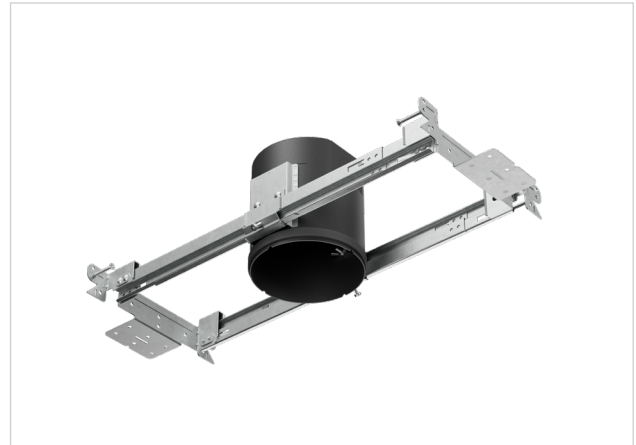
Low Profile/Emergency Version: 1/2" (13mm) to 1 1/4" (32mm)

Super Shallow: 1/2" (13mm) to 1 1/2" (38mm)

Lutron Athena Node: 1/2" (13mm) to 2" (51mm)

CUTOUT: 4 1/4" (108mm) round opening

LISTINGS: Metallic outlet box certified UL514A, code compliant for use in appropriate fire-rated assemblies for up to 2-hours (Fire Rated only), STC/IIC Sound Rated, ASTM E283 certified Air Tight, IC (Insulation Contact) Rated, Compliant to FCC Title 46 Part 15; Class B, Suitable for Use in Air-Handling Space – Complies with UL2043



ALTERNATE DIMMING SPECIFICATIONS

INPUT VOLTAGE: 120/277V, 50/60Hz

MAX INPUT CURRENT (120V): 0.130 amps

MAX INPUT CURRENT (277V): 0.065 amps

POWER FACTOR: Greater than 0.9

TOTAL HARMONIC DISTORTION: Less than 20%

EMERGENCY BATTERY SPECIFICATIONS

ILLUMINATION TIME: 90min

WATTAGE IN EM STATE: 5W

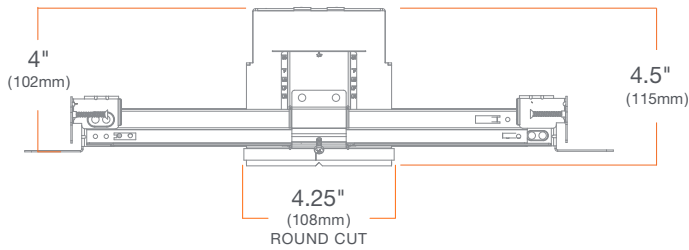
LUMEN OUTPUT IN EM STATE: LPW x 5

TEST SWITCH OPTIONS:

- **INTEGRATED TEST SWITCH (-EM HOUSING):**
Requires Compatible trim available in flanged, standard style only (M4TRSxxEM)
- **REMOTE TEST SWITCH(-ES HOUSING):**
Must be installed according to local code, can be used with any flanged, flangeless, or decorative trim type

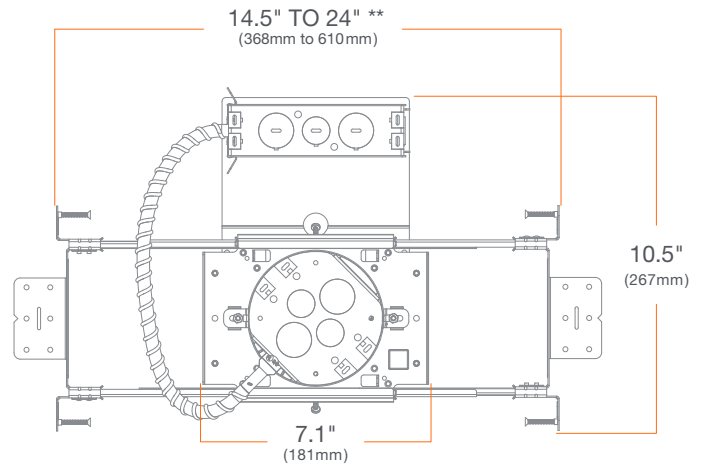
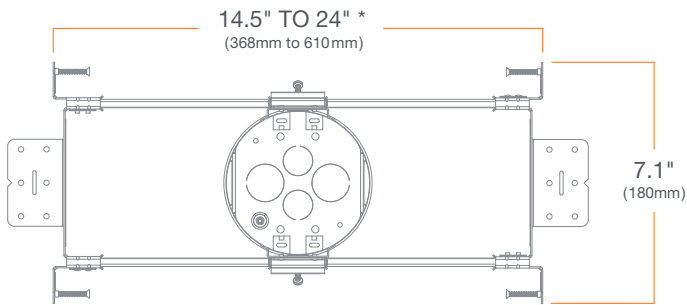
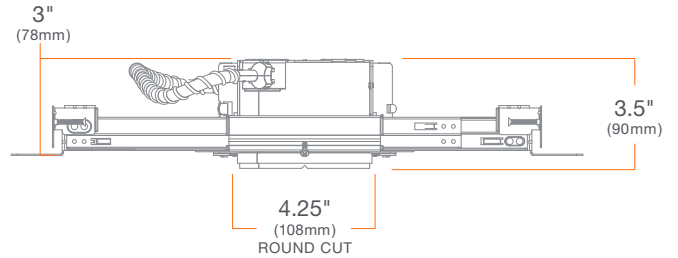
New Construction

- M4NCRS (Standard)
- M4NCRF (Fire Rated)
- M4CPRS (Chicago Plenum)



Low-Profile

- M4LPRF (Fire Rated)

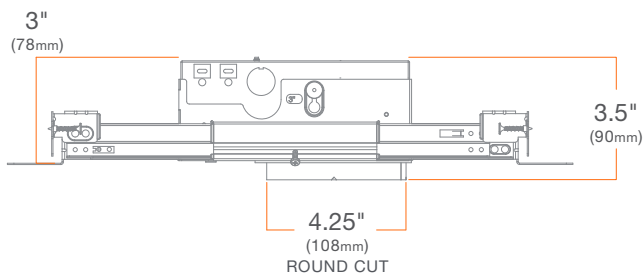


* Can be field cut to minimum 7 1/2" (191mm) for a range of 7 1/2" (191mm) - 24" (610mm)

** Can be field cut to minimum 9" (229mm) for a range of 9" (229mm) - 24" (610mm)

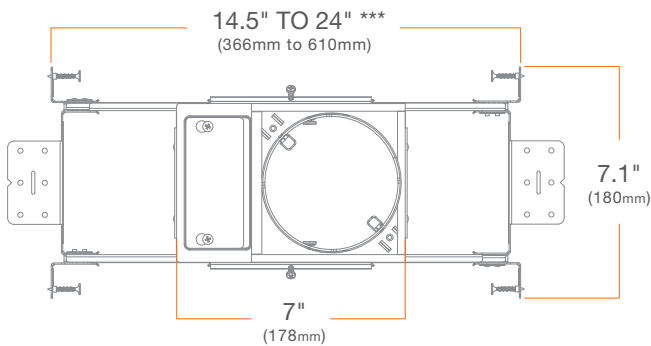
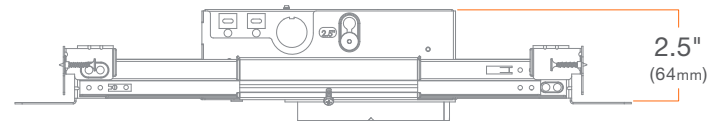
Super Shallow

- M4NSRS



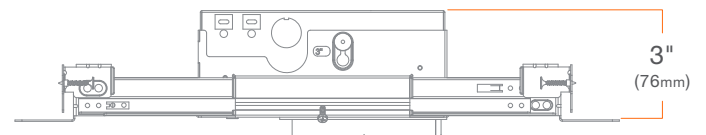
- M4NSRS + Standard TRIAC/ELV or 0-10V Dimming

(Can be set to 2.5" plenum depth on-site)



- M4NSRS + DALI-2 Dimming Modules

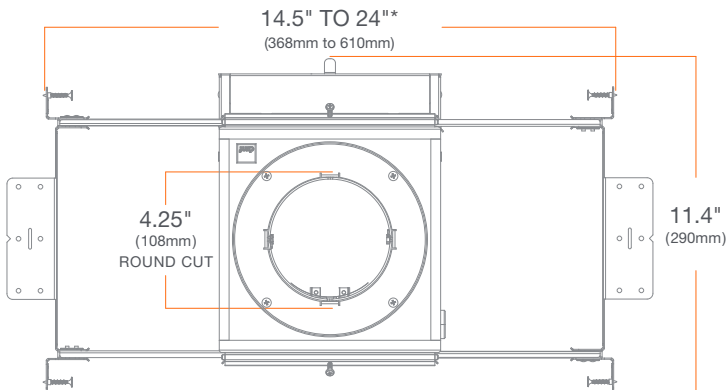
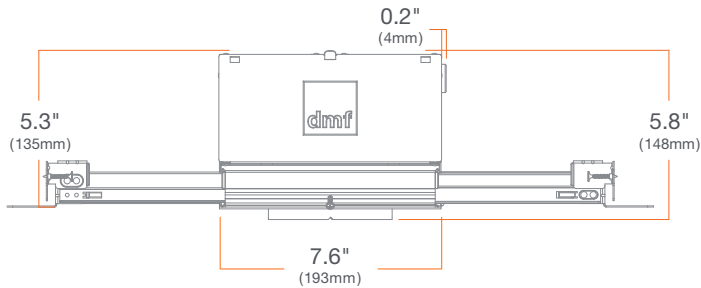
(Pre-set to 3" plenum depth at factory)



*** Can be field cut to a minimum 9 3/8" (238mm) for a range of 9 3/8" (238mm) to 24" (610mm)

Athena Wireless Node

M4NCRSAWN (Standard)

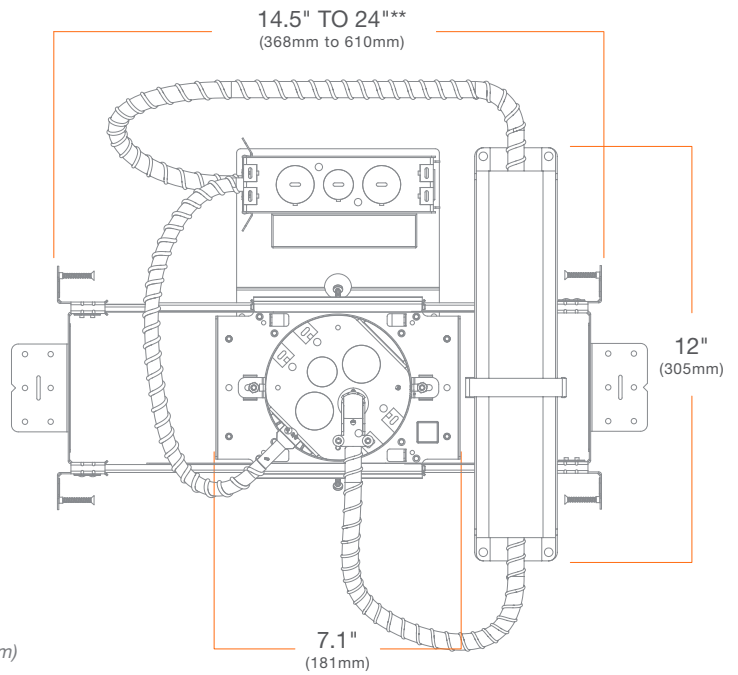
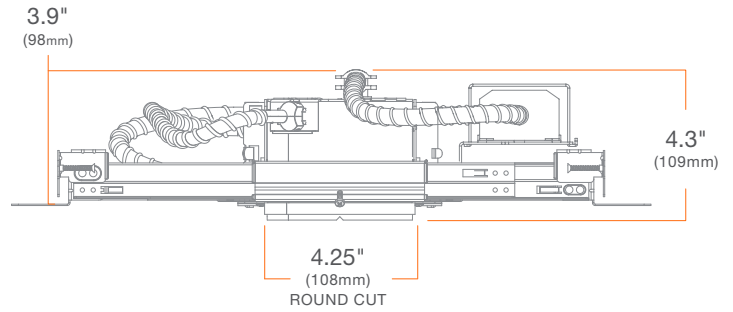


* Can be field cut to a minimum 10 1/2" (267mm) for a range of 10 1/2" (267mm) to 24" (610mm)

** Can be field cut to minimum 9" (229mm) for a range of 9" (229mm) - 24" (610mm)

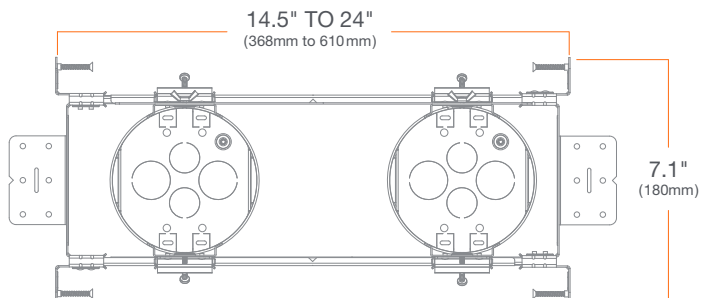
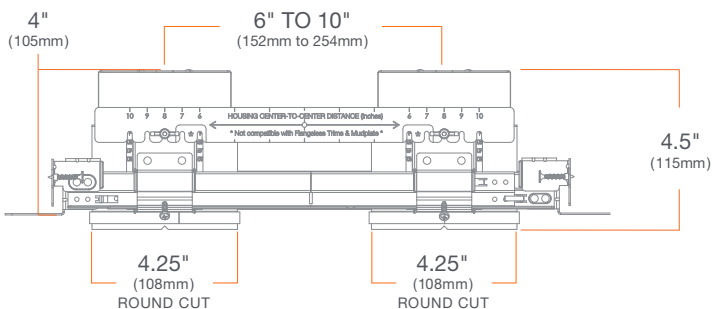
Emergency Lighting

M4NCRFxxxEM (Fire Rated)



Double Housing

M4DHRS



HOUSING



M Series

Spray Foam

M4SFRS

SUMMARY

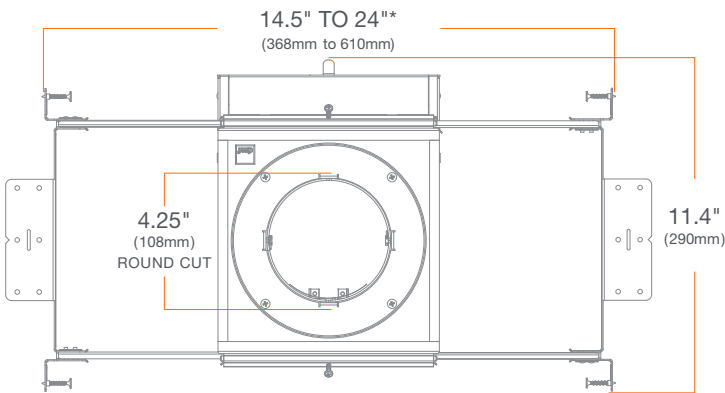
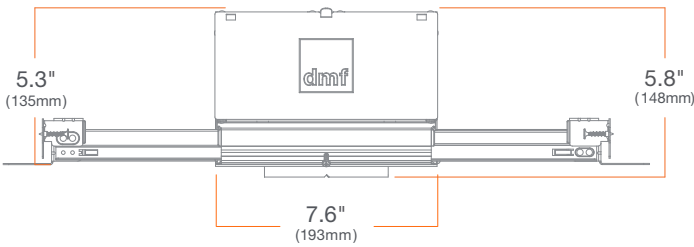
JUNCTION BOX: Equipped with six knockouts: four 1/2" trade size knockouts, two 3/4" trade size knockouts, and four romex knockouts. Approved for 8 (four in, four out) #12 AWG 70° C

MOUNTING: Adjustable Bar Hanger for 10.5" (267mm) to 24" (610mm) joist spacing. Compatible with traditional joists, Armstrong™ ceiling, Hat Channel and T-bar

CEILING: Center Collar allows for vertical adjustment to accommodate from 1/2" (13mm) to 2" (51mm) thickness

CUTOUT: 4 1/4" (108mm) round opening

LISTINGS: ASTM E283 certified Air Tight, IC (Insulation Contact) up to R-32 for Roll, Batt, and Loose Fill, up to R-60 Spray Foam with standard trims, up to R-32 Spray Foam with other trims, Suitable for Use in Air-Handling Space – Complies with UL2043



* Can be field cut to a minimum 10 1/2" (267mm) for a range of 10 1/2" (267mm) to 24" (610mm)

HOUSING



M Series

Remodel

SUMMARY

JUNCTION BOX: Equipped with 8 knockouts: two 1/2" and two 3/4" trade size knockouts on top, four romex knockouts on top. Approved for 8 (four in, four out) #12 AWG 70°C.

MOUNTING: Pre-installed mounting spring clips

CEILING: Standard Version : 1/2" (13mm) up to 1 1/4" (32mm)
Fire Rated Version : 5/8" (16mm) up to 1 1/4" (32mm)

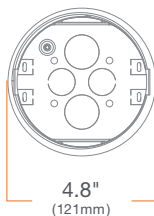
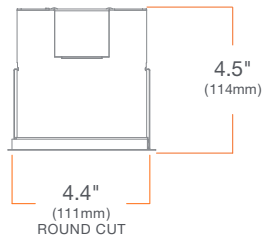
CUTOUT: Standard Version : 4 3/8" (111mm) round opening
Fire Rated Version : 4 1/2" (114mm) round opening

LISTINGS: Metallic outlet box certified UL514A, code compliant for use in appropriate fire-rated assemblies for up to 2-hours (Fire Rated only), STC/IIC Sound Rated, ASTM E283 certified Air Tight, IC (Insulation Contact) Rated, Suitable for Use in Air-Handling Space – Complies with UL2043

TRIM COMPATIBILITY: Flanged Only

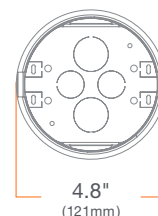
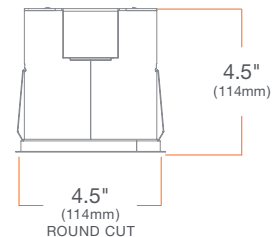
Standard

M4RMRS



Fire Rated

M4RMRF



HOUSING



M Series

Concrete Construction

M4CC

SUMMARY

JUNCTION BOX: Equipped with (4) trade size concentric knockouts (3/4" + 1/2") to allow straight conduit runs. Approved for 8 (four in, four out) #12 AWG 90°C.

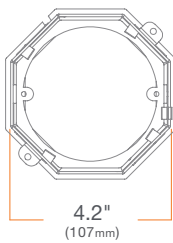
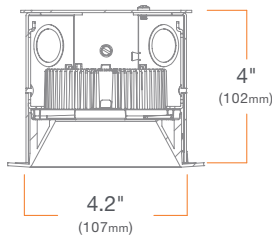
MOUNTING: (2) external tabs for wood, steel or concrete mounting

COVER: Removable top cover for easy access to electrical wiring work prior to concrete pour

APPLICATION: Poured deck (floor) high-rise new construction

LISTINGS: Metallic outlet box certified UL514A, concrete tight, code compliant for use in appropriate fire-rated assemblies for up to 2-hours, STC/IIC Sound Rated, ASTM E283 certified Air Tight, Suitable for Use in Air-Handling Space – Complies with UL2043

TRIM COMPATIBILITY: Flanged Only



TRIMS



M Series

4" Round Trims

M4TR

SUMMARY

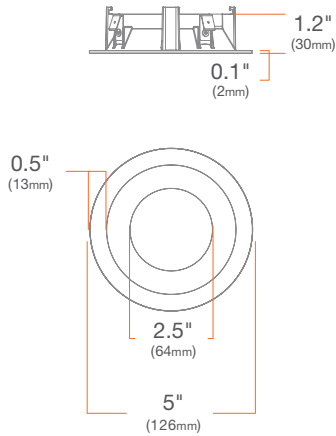
CONSTRUCTION: Die-cast aluminum

INSTALLATION: Twist & Lock

Standard

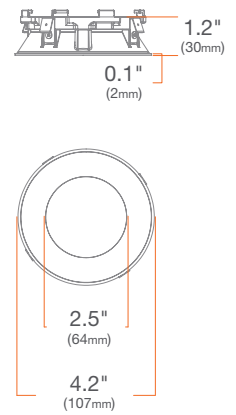
Standard: M4TRSWH

Dead Front: M4TRSWHDF



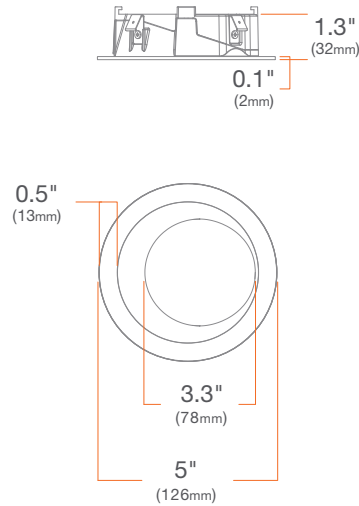
Standard Flangeless

M4TRSWHFL



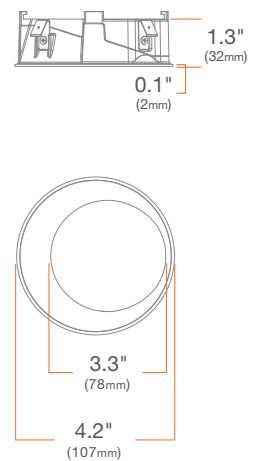
Wall Wash/Sloped Ceiling

M4TRLWH



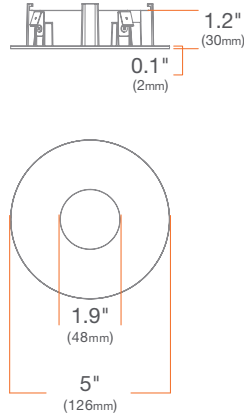
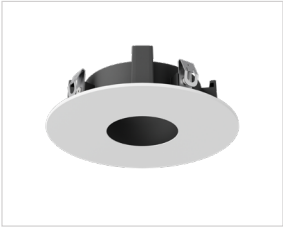
Wall Wash/Sloped Ceiling Flangeless

M4TRLWHFL



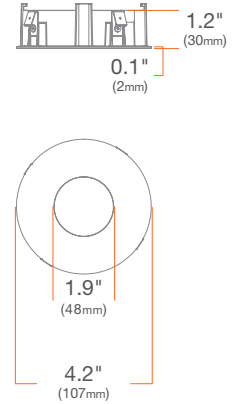
Pinhole

M4TRPWH



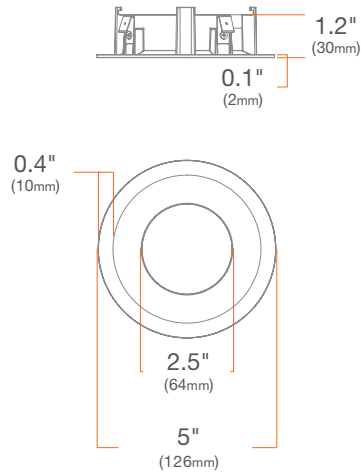
Pinhole Flangeless

M4TRPWHFL



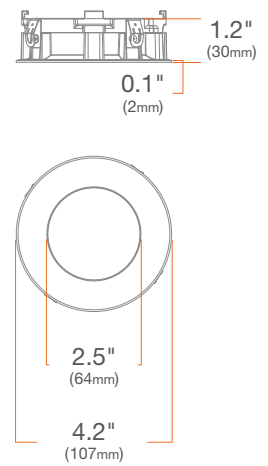
Hyperbolic

M4TRHWH



Hyperbolic Flangeless

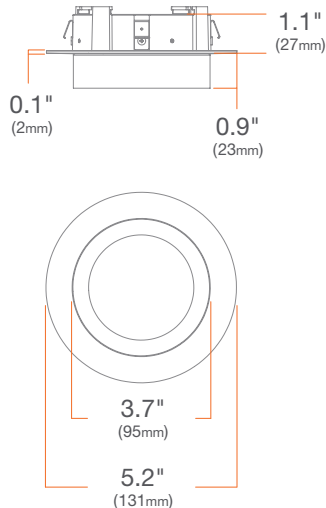
M4TRHWHFL



Decorative Closed ¹

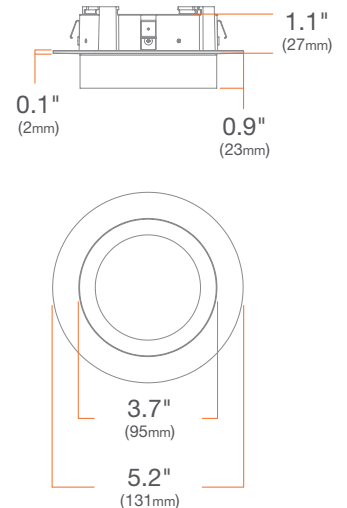
Clear, Frosted Inside: **M4TRSWHDCC**

Clear, Frosted Sides: **M4TRSWHDCCF**



Decorative Open

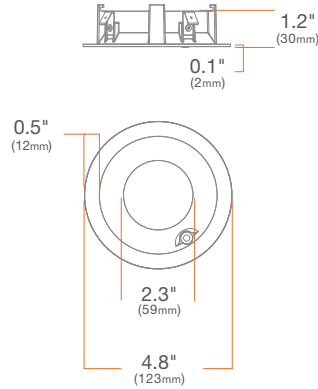
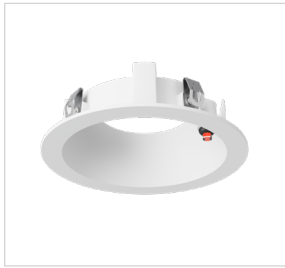
Frosted: **M4TRSWHDOF**



¹ IK10 Rated

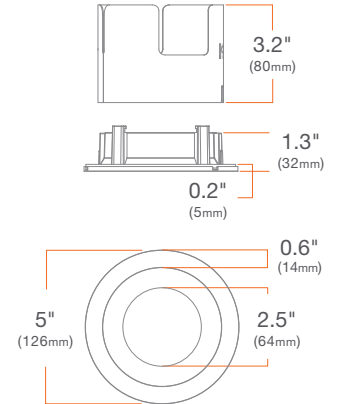
Integrated Test Switch

M4TRSWHEM



Coastal Marine Grade/IP66 ¹

M4TRSWHIP AAMA 2605 Compliant

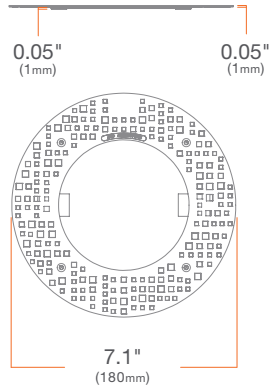


¹ IK10 Rated

ACCESSORIES

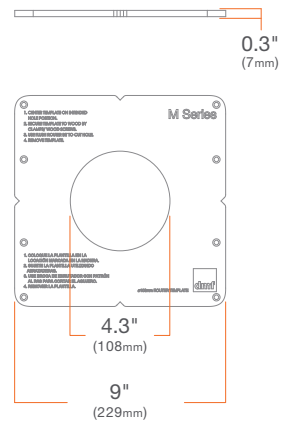
Flangeless Mud Plate

M4XRMUD



Router Template

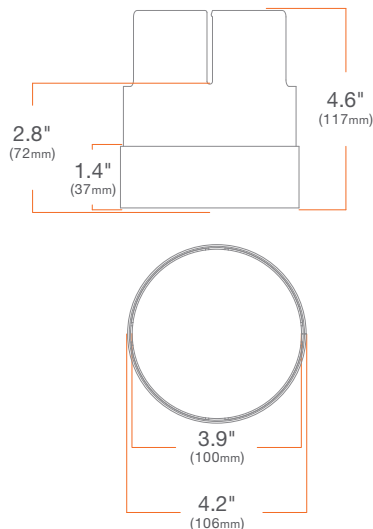
M4KRTEMPLATE



Extension Collar

^{*} For use with Standard New Construction Only

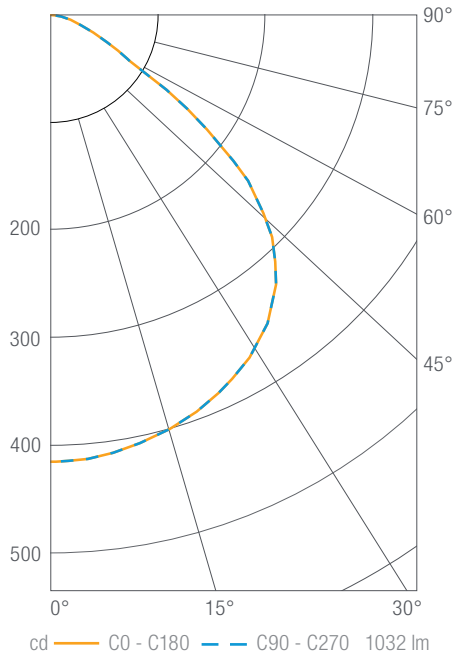
M4CREXT



PHOTOMETRY

DRD2 1000 lm, 3000K, General Ambient

DRD2M10930GA



Luminous Intensity

Gamma	C 0°
0°	416
5°	415
10°	410
15°	403
20°	394
25°	382
30°	369
35°	351
40°	327
45°	291
50°	240
55°	162
60°	84
65°	54
70°	33
75°	21
80°	12
85°	6
90°	1

Values in candela

Zonal Lumen Summary

Zone	Lumens	Luminaire %
0-30	333	32
0-40	557	54
0-60	942	91
0-90	1024	99
0-180	1032	100

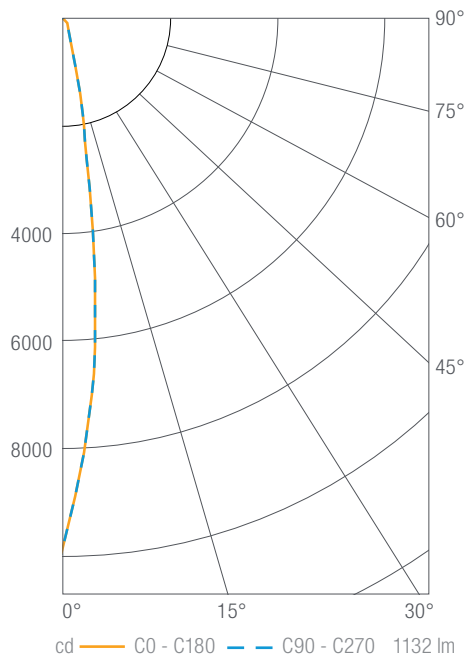
Illuminance Chart

Distance from LED	Foot Candles	Diameter
3'	46	7.8'
6'	12	15.5'
9'	5	23.3'
12'	3	31.1'

Beam Angle: 100°

DRD2 1000 lm, 3000K, Narrow Spot

DRD2M10930NS



Luminous Intensity

Gamma	C 0°
0°	9823
5°	6600
10°	2335
15°	734
20°	357
25°	244
30°	195
35°	159
40°	116
45°	85
50°	61
55°	42
60°	28
65°	16
70°	7
75°	4
80°	2
85°	1
90°	0

Values in candela

Zonal Lumen Summary

Zone	Lumens	Luminaire %
0-30	906	80
0-40	1004	89
0-60	1110	98
0-90	1131	100
0-180	1132	100

Illuminance Chart

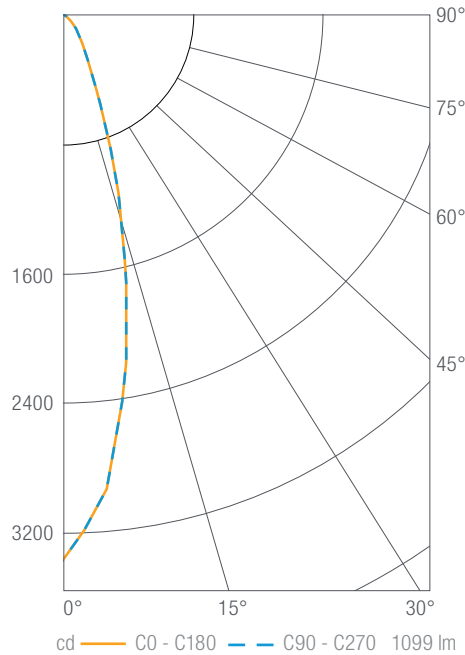
Distance from LED	Foot Candles	Diameter
3'	1091	0.7'
6'	273	1.5'
9'	121	2.2'
12'	68	2.9'

Beam Angle: 14°

PHOTOMETRY

DRD2 1000 lm, 3000K, Spot

DRD2M10930SP



Luminous Intensity

Gamma	C 0°
0°	3366
5°	2967
10°	2203
15°	1391
20°	775
25°	419
30°	248
35°	167
40°	119
45°	87
50°	62
55°	43
60°	26
65°	15
70°	7
75°	4
80°	2
85°	1
90°	0

Values in candela

Zonal Lumen Summary

Zone	Lumens	Luminaire %
0-30	862	78
0-40	971	88
0-60	1078	98
0-90	1098	100
0-180	1099	100

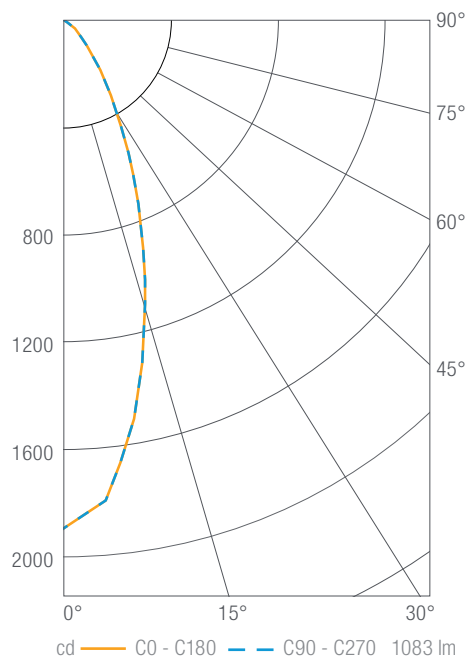
Illuminance Chart

Distance from LED	Foot Candles	Diameter
3'	374	1.4'
6'	93	2.8'
9'	42	4.2'
12'	23	5.6'

Beam Angle: 26°

DRD2 1000 lm, 3000K, Flood

DRD2M10930FL



Luminous Intensity

Gamma	C 0°
0°	1890
5°	1792
10°	1503
15°	1161
20°	849
25°	589
30°	391
35°	256
40°	162
45°	107
50°	74
55°	51
60°	30
65°	18
70°	8
75°	5
80°	3
85°	1
90°	0

Values in candela

Zonal Lumen Summary

Zone	Lumens	Luminaire %
0-30	760	70
0-40	925	85
0-60	1058	98
0-90	1081	100
0-180	1083	100

Illuminance Chart

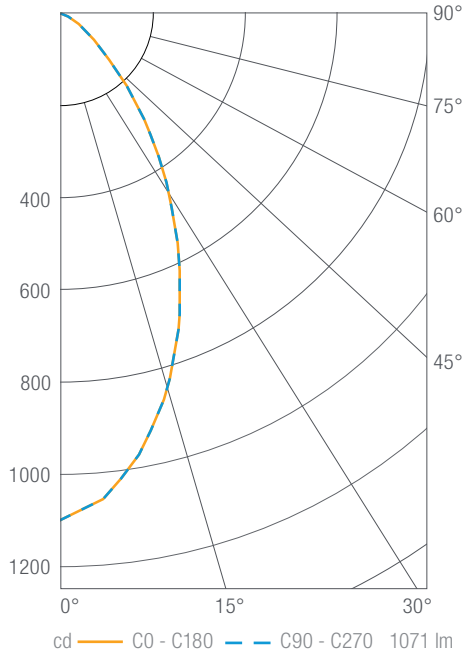
Distance from LED	Foot Candles	Diameter
3'	210	2.0'
6'	52	4.0'
9'	23	6.0'
12'	13	8.0'

Beam Angle: 37°

PHOTOMETRY

DRD2 1000 lm, 3000K, Wide Flood

DRD2M10930WF



Luminous Intensity

Gamma	C 0°
0°	1100
5°	1058
10°	973
15°	866
20°	743
25°	609
30°	478
35°	361
40°	252
45°	161
50°	102
55°	68
60°	41
65°	24
70°	11
75°	6
80°	4
85°	2
90°	0

Values in candela

Zonal Lumen Summary

Zone	Lumens	Luminaire %
0-30	620	58
0-40	845	79
0-60	1037	97
0-90	1069	100
0-180	1071	100

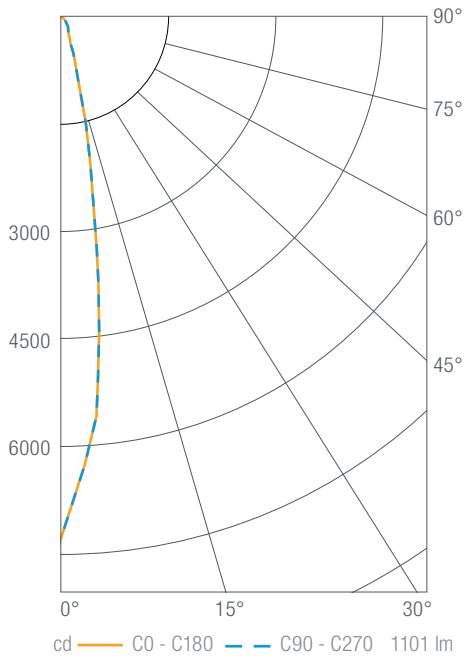
Illuminance Chart

Distance from LED	Foot Candles	Diameter
3'	122	3.1'
6'	31	6.2'
9'	14	9.3'
12'	8	12.3'

Beam Angle: 55°

DRD2 1000 lm, 3000K, Soft Focus

DRD2M10930SF



Luminous Intensity

Gamma	C 0°
0°	7280
5°	5603
10°	2489
15°	875
20°	381
25°	247
30°	194
35°	161
40°	122
45°	90
50°	64
55°	45
60°	28
65°	16
70°	7
75°	4
80°	2
85°	1
90°	0

Values in candela

Zonal Lumen Summary

Zone	Lumens	Luminaire %
0-30	868	79
0-40	968	88
0-60	1078	98
0-90	1100	100
0-180	1101	100

Illuminance Chart

Distance from LED	Foot Candles	Diameter
3'	809	0.9'
6'	202	1.7'
9'	90	2.6'
12'	51	3.4'

Beam Angle: 16°