

M Series Commercial

| | |
|---------------|-------|
| Project: | Type: |
| Product Code: | Date: |

V 112724



4" Square Downlight

Versatile Solution for all spaces providing high quality lighting ranging from 750 lm all the way up to 3500 lm

Expedite Install with our easily adjustable universal housing and bar hanger systems allowing for application in most ceiling types

Enhanced Serviceability features are achieved through our fully integrated driver solutions allow for ease of maintenance & implementation of design changes all below the ceiling plane

Seamless Integration with several control systems allowing two-channel control dimming options down as low as 0.1%

INSTALLATION

Ceiling Thickness

New Construction: 1/2" up to 2"

Remodel: 1/2" up to 1 1/4"

Extension Collar: 2" to 3"

Ceiling Material

Drywall, Millwork

TRIMS

Aperture

4"

Shape

Square

Style

Standard, Pinhole, Flangeless, Wall Wash/Sloped Ceiling, Decorative, Vandal Proof/IP66

Finish

White, Black, Clear Diffuse, Custom Color (RAL)

LIGHT OUTPUT & DISTRIBUTION

Module

Downlight

Lumens (Power)

750 lm (9.5W), 1000 lm (12.5W), 1250 lm (14.3W), 1500 lm (14.3W), 2000 lm (24.5W), 2500 lm (27.5W), 3000 lm (34.0W), 3500 lm (40.5W)

Color Quality

93 CRI, 2-step SDCM

Color Temperature

- 2700K
- 3000K
- 3500K
- 4000K
- Warm Dim (3000-1800K)
- Tunable White (6500-2700K)

Beam Spread

- 15° Narrow Spot
- 25° Spot
- 40° Flood
- 60° Wide Flood
- 90°+ General

POWER & CONTROLS

Input Voltage

120 / 277V

Dimming

0-10V (1%), Lutron Athena Wireless Node (1%), DALI-2 (0.1%)

RATINGS & CERTIFICATIONS

Housing

✓ RoHS Compliant

Module and Trim

- Wet Location/IP66 Rated Configurations Available (Flanged Trims, Under Covered Areas Only)
- NSF Listed (White and Black Finish Only)
- IK10 Rated Option Available (Vandal Proof Trim)

Warranty

5 year limited warranty; 50,000 hours



Declare.



PRODUCT BUILDER | SQUARE | DOWNLIGHT | EMBEDDED 0-10V

HOUSING

| | |
|---------------|---|
| PRODUCT CODE | |
| M4NCSN | 4" Square Housing, New Construction, Non-IC Rated |
| M4RMSN | 4" Square Housing, Remodel, Non-IC Rated ¹ |

LIGHT MODULE

| PRODUCT CODE | | LUMENS | | CRI | | CCT | | BEAM SPREAD | | DIMMING | |
|--------------|------------------|-----------|---------|----------|--------|-----------|------------------------------------|-------------|-------------------------------------|----------|-------|
| MD | | | | 9 | | | | | | O | |
| MD | Downlight Module | 07 | 750 lm | 9 | 93 CRI | 27 | 2700K | GA | General Ambient (90°+) ³ | O | 0-10V |
| | | 10 | 1000 lm | | | 30 | 3000K | NS | Narrow Spot (15°) ³ | | |
| | | 12 | 1250 lm | | | 35 | 3500K | SP | Spot (25°) | | |
| | | 15 | 1500 lm | | | 40 | 4000K | FL | Flood (40°) | | |
| | | 20 | 2000 lm | | | 3W | Warm Dim (3000–1800K) ² | WF | Wide Flood (60°) | | |
| | | 25 | 2500 lm | | | | | | | | |
| | | 30 | 3000 lm | | | | | | | | |
| | | 35 | 3500 lm | | | | | | | | |

TRIM | STANDARD

| PRODUCT CODE | | FINISH | | OPTION | |
|--------------|--|-----------|-----------------------------|----------------|---------------------------------|
| M4TSD | Standard Trim | WH | White | [Blank] | None |
| M4TSL | Wall Wash/Sloped Ceiling Trim ⁴ | BK | Black | FL | Flangeless ^{5,6} |
| M4TSP | Pinhole Trim ^{5,9} | CW | Clear Diffuse, White Flange | VP | Vandal Proof /IP66 ⁷ |
| | | CC | Custom Color (RAL) | | |

TRIM | DECORATIVE (WHITE FINISH ONLY)

| | |
|--------------------|---|
| M4TSSWHDCF | Decorative: Closed, Frosted ^{8,9} |
| M4TSSWHDCCF | Decorative: Closed, Clear Frosted Inside ^{8,9} |

¹ Not available with flangeless, vandal proof trim options nor extension collars

² Only available in 1000 lm; not available in Narrow Spot beam spread

³ Only available in 750 - 2000 lm

⁴ Recommended with WF Optic for Standard Wallwashing and SP Optic for Sloped Ceilings

⁵ Only available in White, Black or Custom Color finish

⁶ Mud plate is required for all Flangeless installations except for Wood ceiling; Not compatible with Remodel Housing

⁷ Available in standard style and white, anti-microbial finish; For installation in New Construction Housing only; Not compatible with extension collar

⁸ Only available in GA beam spread

⁹ Only available in 750 - 1500 lm

ACCESSORIES

| | |
|---------------------|--|
| M4XSMUD | Flangeless Mud Plate (Required for Flangeless Trim drywall installation) |
| M4KSTEMPLATE | Flangeless Wood Template (Recommended for Flangeless Trim wood installation) |
| M4CSEXT | Square Extension Collar (For New Construction Only - Ceiling Installations up to 3") |

OPTIC ACCESSORIES

| | | | |
|----------------|---|----------------|---|
| MDLX-GA | Low Lumen (750-2000LM) Downlight Optic GA 90° Beam Spread | MDLX-WF | Low Lumen (750-2000LM) Downlight Optic WF 60° Beam Spread |
| MDLX-NS | Low Lumen (750-2000LM) Downlight Optic NS 15° Beam Spread | MDHX-SP | High Lumen (2500-3500LM) Downlight Optic SP 25° Beam Spread |
| MDLX-SP | Low Lumen (750-2000LM) Downlight Optic SP 25° Beam Spread | MDHX-FL | High Lumen (2500-3500LM) Downlight Optic FL 40° Beam Spread |
| MDLX-FL | Low Lumen (750-2000LM) Downlight Optic FL 40° Beam Spread | MDHX-WF | High Lumen (2500-3500LM) Downlight Optic WF 60° Beam Spread |

PRODUCT BUILDER | SQUARE | DOWNLIGHT | ATHENA WIRELESS NODE/DALI-2

HOUSING

| PRODUCT CODE | | INSTALLATION | | SHAPE | | RATING | | OUTPUT | | DIMMING | | WIRELESS | |
|--------------|------------|--------------|------------------|-------|--------|--------|--------|--------|---------|---------|---------------------------------------|----------|----------------------|
| M4 | | NC | | S | | N | | | | | | | |
| M4 | 4" Housing | NC | New Construction | S | Square | N | Non-IC | 07 | 750 lm | O | 0-10V (AWN Only) | [Blank] | None (DALI-2 Only) |
| | | | | | | | | 10 | 1000 lm | DS | DALI-2 (Static CCT) ¹ | AWN | Athena Wireless Node |
| | | | | | | | | 12 | 1250 lm | DT | DALI-2 (Tunable White) ^{2,7} | | |
| | | | | | | | | 15 | 1500 lm | | | | |
| | | | | | | | | 20 | 2000 lm | | | | |
| | | | | | | | | 25 | 2500 lm | | | | |
| | | | | | | | | 30 | 3000 lm | | | | |
| | | | | | | | | 35 | 3500 lm | | | | |

LIGHT MODULE

| PRODUCT CODE | | LUMENS | | CRI | | CCT | | BEAM SPREAD | | DIMMING | |
|--------------|------------------|--------|---------|-----|--------|-----|---|-------------|-------------------------------------|---------|-----------|
| MD | | | | 9 | | | | | | A | |
| MD | Downlight Module | 07 | 750 lm | 9 | 93 CRI | 27 | 2700K | GA | General Ambient (90°+) ³ | A | Alternate |
| | | 10 | 1000 lm | | | 30 | 3000K | NS | Narrow Spot (15°) ³ | | |
| | | 12 | 1250 lm | | | 35 | 3500K | SP | Spot (25°) | | |
| | | 15 | 1500 lm | | | 40 | 4000K | FL | Flood (40°) | | |
| | | 20 | 2000 lm | | | 3W | Warm Dim (3000–1800K) ⁴ | WF | Wide Flood (60°) | | |
| | | 25 | 2500 lm | | | T2 | Tunable White (6500–2700K) ^{2,5,7} | | | | |
| | | 30 | 3000 lm | | | | | | | | |
| | | 35 | 3500 lm | | | | | | | | |

TRIM | STANDARD

| PRODUCT CODE | | FINISH | | OPTION | |
|--------------|--|--------|-----------------------------|---------|----------------------------------|
| M4TSD | Standard Trim | WH | White | [Blank] | None |
| M4TSL | Wall Wash/Sloped Ceiling Trim ⁶ | BK | Black | FL | Flangeless ^{8,9} |
| M4TSP | Pinhole Trim ^{7,8} | CW | Clear Diffuse, White Flange | VP | Vandal Proof /IP66 ¹⁰ |
| | | CC | Custom Color (RAL) | | |

TRIM | DECORATIVE (WHITE FINISH ONLY)

| | |
|-------------|---|
| M4TSSWHD0F | Decorative: Open, Frosted ^{7,11} |
| M4TSSWHD0CF | Decorative: Closed, Frosted ^{7,11} |

¹ Not available in 3500 lm

² Not available in GA or NS Optics

³ Only available in 750 - 2000 lm

⁴ Only available in 1000 lm; Not available in Narrow Spot beam spread

⁵ Only available in DALI-2 Dimming

⁶ Recommended with WF Optic for Standard Wall Wash and SP Optic for Sloped Ceilings

⁷ Only available in 750 - 1500 lm

⁸ Only available in White, Black or Custom Color finish

⁹ Mud Plate required for FL Install except for wood ceiling

¹⁰ Available in standard style and white, anti-microbial finish; Not compatible with extension collar

¹¹ Recommended with General Ambient beam spread

ACCESSORIES

| | |
|--------------|--|
| M4XSMUD | Flangeless Mud Plate (Required for Flangeless Trim drywall installation) |
| M4KSTEMPLATE | Flangeless Wood Template (Recommended for Flangeless Trim wood installation) |
| M4CSEXT | Square Extension Collar (For New Construction Only - Ceiling Installations up to 3") |

PRODUCT BUILDER | SQUARE | DOWNLIGHT | EMERGENCY LIGHTING

HOUSING

| PRODUCT CODE | | INSTALLATION | | SHAPE | | RATING | | LUMEN | | DIMMING | | WIRELESS | | OPTION | |
|--------------|------------|--------------|------------------|-------|--------|--------|--------|-------|---------|---------|---|----------|----------------------|--------|--|
| M4 | | NC | | S | | N | | | | | | | | | |
| M4 | 4" Housing | NC | New Construction | S | Square | N | Non-IC | 07 | 750 lm | O | 0-10V for EM only | [Blank] | None | EM | Emergency driver, Integrated switch ⁴ |
| | | | | | | | | 10 | 1000 lm | DS | DALI-2 Static CCT ¹ | AWN | Athena Wireless Node | EMS | Emergency driver, Remote switch |
| | | | | | | | | 12 | 1250 lm | DT | DALI-2 Tunable White CCT ^{2,3} | | | | |
| | | | | | | | | 15 | 1500 lm | | | | | | |
| | | | | | | | | 20 | 2000 lm | | | | | | |
| | | | | | | | | 25 | 2500 lm | | | | | | |
| | | | | | | | | 30 | 3000 lm | | | | | | |
| | | | | | | | | 35 | 3500 lm | | | | | | |

LIGHT MODULE

| PRODUCT CODE | | LUMENS | | CRI | | CCT | | BEAM SPREAD | | DIMMING | |
|--------------|------------------|--------|---------|-----|--------|-----|---|-------------|-------------------------------------|---------|-----------|
| MD | | | | 9 | | | | | | A | |
| MD | Downlight Module | 07 | 750 lm | 9 | 93 CRI | 27 | 2700K | GA | General Ambient (90°+) ⁹ | A | Alternate |
| | | 10 | 1000 lm | | | 30 | 3000K | NS | Narrow Spot (15°) ⁹ | | |
| | | 12 | 1250 lm | | | 35 | 3500K | SP | Spot (25°) | | |
| | | 15 | 1500 lm | | | 40 | 4000K | FL | Flood (40°) | | |
| | | 20 | 2000 lm | | | 3W | Warm Dim (3000–1800K) ⁵ | WF | Wide Flood (60°) | | |
| | | 25 | 2500 lm | | | T2 | Tunable White (6500–2700K) ^{2,3,6} | | | | |
| | | 30 | 3000 lm | | | | | | | | |
| | | 35 | 3500 lm | | | | | | | | |

TRIM | STANDARD

| PRODUCT CODE | | FINISH | | OPTION | |
|--------------|--|--------|-----------------------------|---------|--|
| M4TSD | Standard Trim | WH | White | [Blank] | None |
| M4TSL | Wall Wash/Sloped Ceiling Trim ⁷ | BK | Black | FL | Flangeless ^{8,10} |
| M4TSP | Pinhole Trim ^{3,8} | CW | Clear Diffuse, White Flange | EM | Integrated test switch ^{4,11} |
| | | CC | Custom Color (RAL) | VP | Vandal Proof/IP66 ¹² |

TRIM | DECORATIVE (WHITE FINISH ONLY)

| | |
|------------|---|
| M4TSSWHDOF | Decorative: Open, Frosted ^{3,13} |
| M4TSSWHDCF | Decorative: Closed, Frosted ^{3,13} |

¹ Not available in 3500 lm

² Not available in GA or NS Optics

³ Only available in 750 - 1500 lm

⁴ Integrated test switch must be selected for both housing and trim

⁵ Only available in 1000 lm; Not available in NS beam spread

⁶ Only available in DALI-2 Dimming

⁷ Recommended with WF Optic for Standard Wallwashing and SP Optic for Sloped Ceilings

⁸ Only available in White, Black, or Custom Color finish

⁹ Only available 750 - 2000 lm

¹⁰ Mud Plate required for FL Install except for wood ceiling

¹¹ Only available in Standard style, White or Clear Diffuse

¹² Only Available in Standard Style and White, Anti-Microbial Finish; Not compatible with extension collar

¹³ Recommended in General Ambient beam spread

ACCESSORIES

| | |
|--------------|--|
| M4XSMUD | Flangeless Mud Plate (Required for Flangeless Trim drywall installation) |
| M4KSTEMPLATE | Flangeless Wood Template (Recommended for Flangeless Trim wood installation) |
| M4CSEXT | Square Extension Collar (For New Construction Only - Ceiling Installations up to 3") |

MODULE



4" Downlight

MD

SUMMARY

INPUT VOLTAGE: 120/277V, 50/60Hz**COLOR QUALITY:** 93 CRI ¹**MAX INPUT CURRENT (120V):** 0.350 amps**MAX INPUT CURRENT (277V):** 0.165 amps**AC CONNECTOR:** 6 pin Molex**DC CONNECTOR:** Male 4-Pin Low Voltage Connector**POWER FACTOR:** Greater than 0.9**TOTAL HARMONIC DISTORTION:** Less than 20%**AMBIENT OPERATING TEMPERATURE:** -20°C to 40°C**LISTINGS:** ENERGY STAR[®] qualified ², UL Listed for Wet Location (Under covered ceilings only), used with flanged trims only) UL Certified US•CA, Declare, RoHS Compliant, NSF/ANSI 2 listed, suitable for splash zone ³, DALI-2 Compliant, Compliant to FCC Title 47 Part 15; Class B**SPECIAL LISTINGS (VANDAL PROOF TRIM):** IK10 Rating, IP66 Listing, Anti-Microbial**WARRANTY:** 5 year limited warranty; 50,000 hours at 70% lumen maintenance

¹ Tested in accordance to IESNA LM-79-2008

² Refer to ENERGY STAR Certified light fixtures database

³ White and Black Finish only

MODULE PERFORMANCE

Based on 93 CRI, 3000K Module + STD White + Trim (M4TSDWH)

(Please refer to IES files for other trim types)

| | | STATIC CCT | | | | | | | WARM DIM | T2 | |
|----------|-------------------|-------------|------|------|------|-------|------|------|------------------|------|------|
| LED CHIP | | CREE 93 CRI | | | | | | | Bridgelux 93 CRI | | |
| SDCM | | 2-STEP | | | | | | | 3-STEP | | |
| | | 07 | 10 | 12 | 15 | 20 | 25 | 30 | 35 | 10 | 10 |
| NS | Lumens | 602 | 824 | 931 | 1071 | 1813 | N/A | | | | |
| | LPW ¹ | 63.3 | 65.9 | 65.1 | 64.9 | 75.5 | | | | | |
| | CBCP ² | 3800 | 5205 | 5882 | 6467 | 11452 | | | | | |
| | UGR ³ | 12.1 | 13.1 | 13.6 | 14.1 | 15.9 | | | | | |
| SP | Lumens | 556 | 761 | 860 | 989 | 1674 | 2255 | 2637 | 3213 | 677 | 872 |
| | LPW | 58.5 | 60.9 | 60.1 | 60 | 69.8 | 82 | 77.5 | 79.3 | 54.2 | 60.1 |
| | CBCP | 1438 | 1970 | 2226 | 2561 | 4333 | 7679 | 8979 | 10943 | 1753 | 1725 |
| | UGR | 12 | 13.1 | 13.5 | 14 | 15.8 | 8.8 | 9.3 | 10 | 12.7 | 16.1 |
| FL | Lumens | 531 | 728 | 822 | 945 | 1600 | 2205 | 2578 | 3142 | 647 | 855 |
| | LPW | 55.9 | 58.2 | 57.5 | 57.3 | 66.7 | 80.2 | 75.8 | 77.6 | 51.8 | 59 |
| | CBCP | 712 | 976 | 1103 | 1269 | 2147 | 2851 | 3334 | 4063 | 869 | 982 |
| | UGR | 14.3 | 15.4 | 15.9 | 16.3 | 18.2 | 13.2 | 13.8 | 14.4 | 15 | 16.4 |
| WF | Lumens | 585 | 802 | 906 | 1042 | 1764 | 2453 | 2868 | 3496 | 713 | 834 |
| | LPW | 61.6 | 64.1 | 63.3 | 63.2 | 73.5 | 89.2 | 84.4 | 86.3 | 57.1 | 57.5 |
| | CBCP | 612 | 839 | 948 | 1090 | 1845 | 1949 | 2279 | 2777 | 746 | 875 |
| | UGR | 15.4 | 16.5 | 17 | 17.4 | 19.3 | 21.1 | 21.6 | 22.3 | 16.1 | 16.8 |
| GA | Lumens | 567 | 900 | 1017 | 1170 | 1980 | - | - | - | 801 | 1012 |
| | LPW | 69.2 | 72 | 71.1 | 70.9 | 82.5 | - | - | - | 64.1 | 69.8 |
| | CBCP | 314 | 431 | 487 | 560 | 948 | - | - | - | 383 | 582 |
| | UGR | 20.5 | 21.6 | 22 | 22.5 | 24.3 | - | - | - | 21.2 | 20.4 |

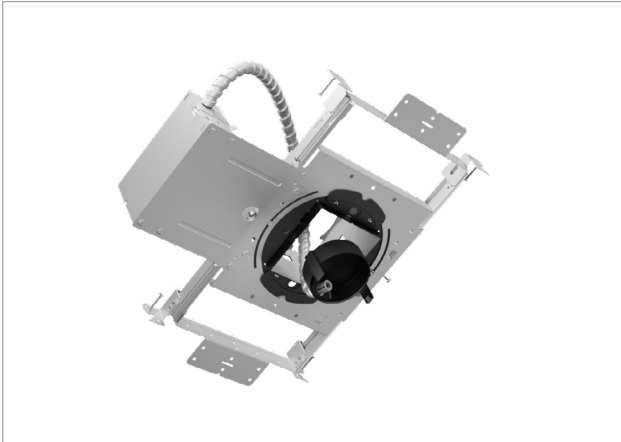
| CCT MULTIPLIER | STATIC | | | | WARM DIM | | T2 TUNABLE WHITE | | | |
|-------------------|---------|-------|-------|-------|----------|-------|------------------|-------|-------|--|
| | 2700K | 3000K | 3500K | 4000K | 1800K | 3000K | 2700K | 3000K | 6500K | |
| | 0.93 | 1 | 1.05 | 1.07 | 0.05 | 1 | 0.96 | 1 | 1.07 | |
| EMERGENCY BATTERY | LPW x 5 | | | | | | | | | |

¹ LPW: Lumens per watt

² CBCP: Center beam candlepower

³ UGR: Unified glare ratio (0.7/0.5/0.2, 4H/8H)

HOUSING



New Construction

M4NCSN

SUMMARY

JUNCTION BOX: Equipped with 6 knockouts: two 1/2" and two 3/4" trade size knockouts on top, two 1/2" trade size knockouts on side. Approved for 8 (four in, four out) #12 AWG 70°C

BAR HANGER MOUNTING: Adjustable Bar Hangers for 14"-24" joist spacing compatible with traditional joists, Armstrong ceiling™, Hat Channel, T-Bar

CEILING: Thickness ranging from 1/2" to 2"

CUTOUT: 4" (101mm) square opening

WARRANTY: 5 year limited warranty

ALTERNATE DIMMING SPECIFICATIONS

INPUT VOLTAGE: 120/277V, 50/60Hz

MAX INPUT CURRENT (120V): 0.130 amps

MAX INPUT CURRENT (277V): 0.065 amps

POWER FACTOR: Greater than 0.9

TOTAL HARMONIC DISTORTION: Less than 20%

LISTINGS: Compliant to FCC Title 47 Part 15; Class B

EMERGENCY BATTERY SPECIFICATIONS

EMERGENCY BATTERY : Emergency Battery Back up is designed to provide output for 90 minutes when in an emergency state

INPUT VOLTAGE: 120/277V 50/60Hz

ILLUMINATION TIME: 90min

CUTOUT: 4 1/4" (107mm) square opening

WATTAGE IN EM STATE: 5W

LUMEN OUTPUT IN EM STATE: LPW x 5

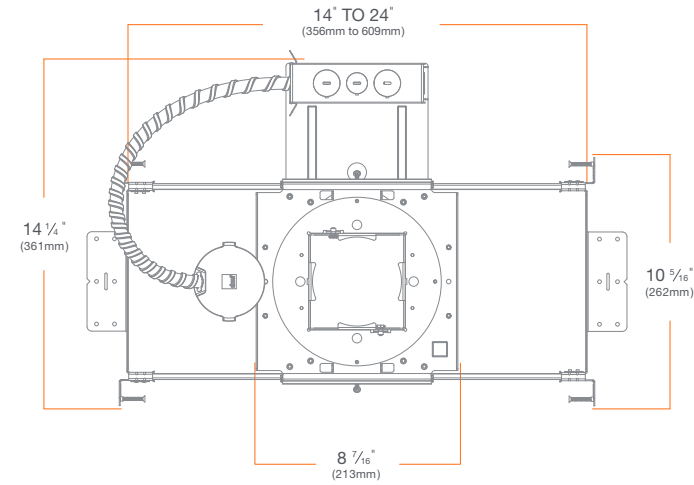
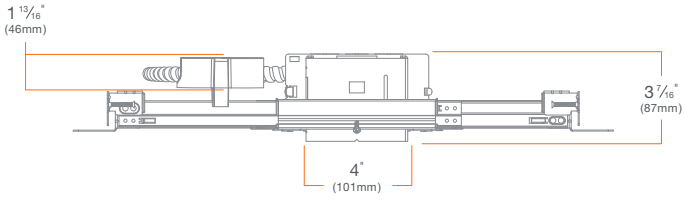
TEST SWITCH OPTIONS:

- **INTEGRATED TEST SWITCH (-ES HOUSING):** Requires Compatible trim - Flanged, Standard Style trim Only
- **REMOTE TEST SWITCH(-EMS HOUSING):** Must be installed according to local code can be used with any flanged, flangeless, or decorative trim type

New Construction

M4NCSN

(Dimensions not including module)

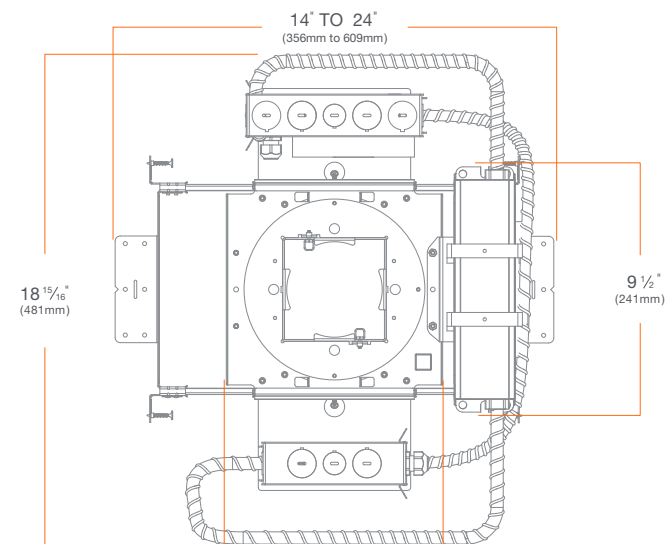
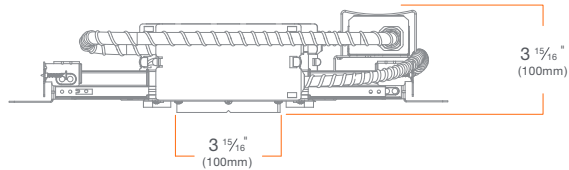


Emergency Lighting

M4NCSNxxxEM

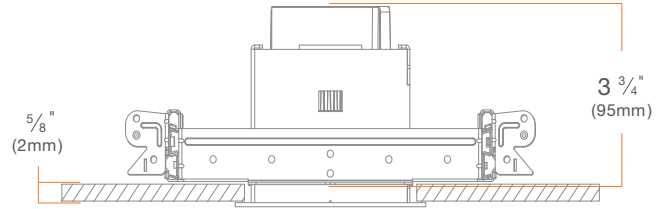
M4NCSNxxxAWNEM

(Dimensions not including module)



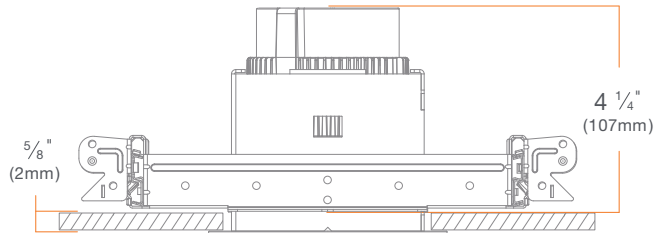
Total Height in Plenum

750LM-1500LM



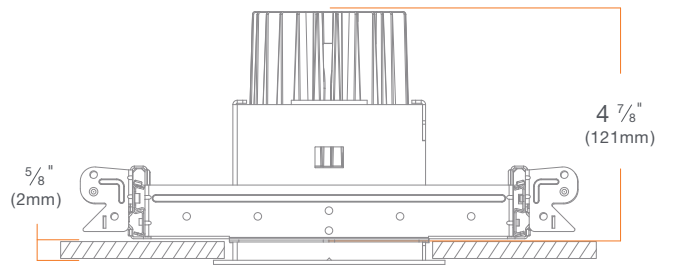
Bar Hanger Vertically Adjustable
from 1/2" to 2" (13 to 51mm)

2000LM



Bar Hanger Vertically Adjustable
from 1/2" to 2" (13 to 51mm)

2500LM-3500LM/DALI-2

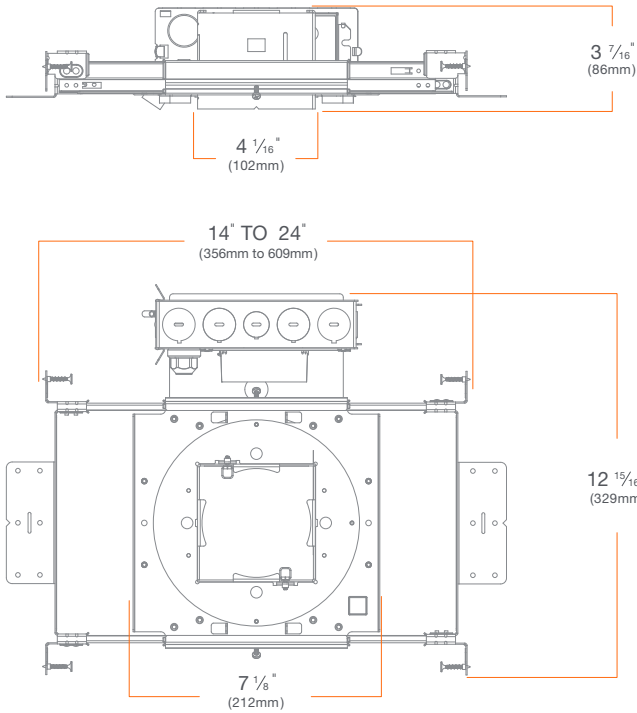


Bar Hanger Vertically Adjustable
from 1/2" to 2" (13 to 51mm)

New Construction Static DALI/Lutron Athena Node

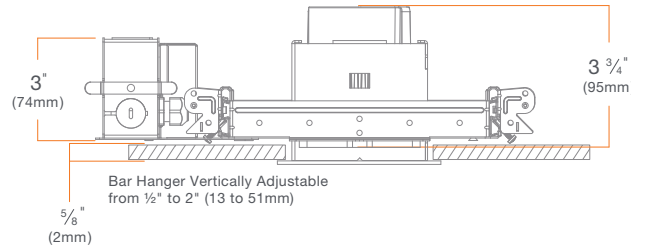
M4NCSNxxDS
M4NCSNxxOAWN
M4NCSNxxDSAWN

(Dimensions not including module)

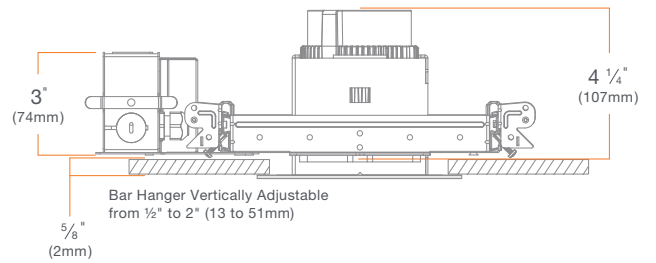


Total Height in Plenum

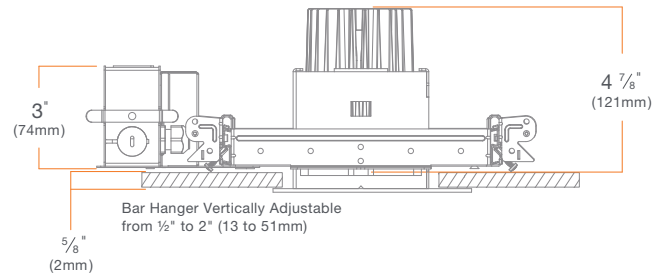
750LM-1500LM



2000LM



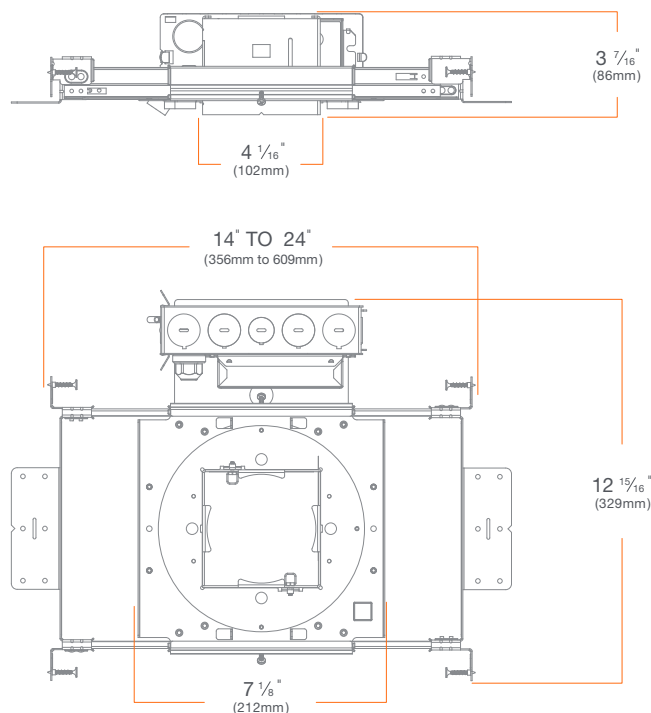
2500LM-3500LM/DALI-2



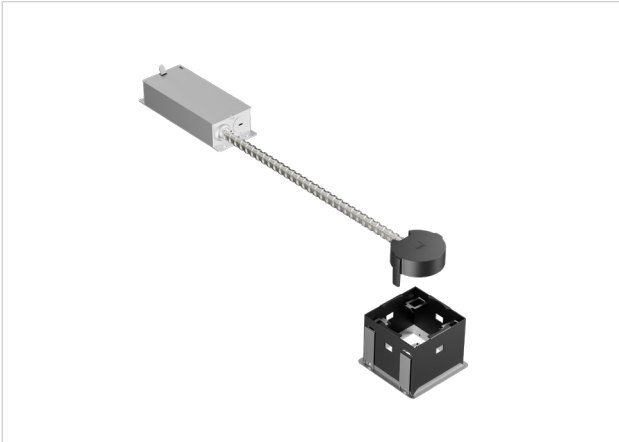
New Construction Tunable White DALI-2

M4NCSNxxDT

(Dimensions not including module)



HOUSING

**Remodel****M4RMSN**

SUMMARY

JUNCTION BOX: Equipped with 3 knockouts: two 1/2" trade size and one 3/4" trade size knockouts #12 AWG 70°C. Approved for 4 (2 in and 2 out)

CEILING: 1/2" up to 1 1/4"

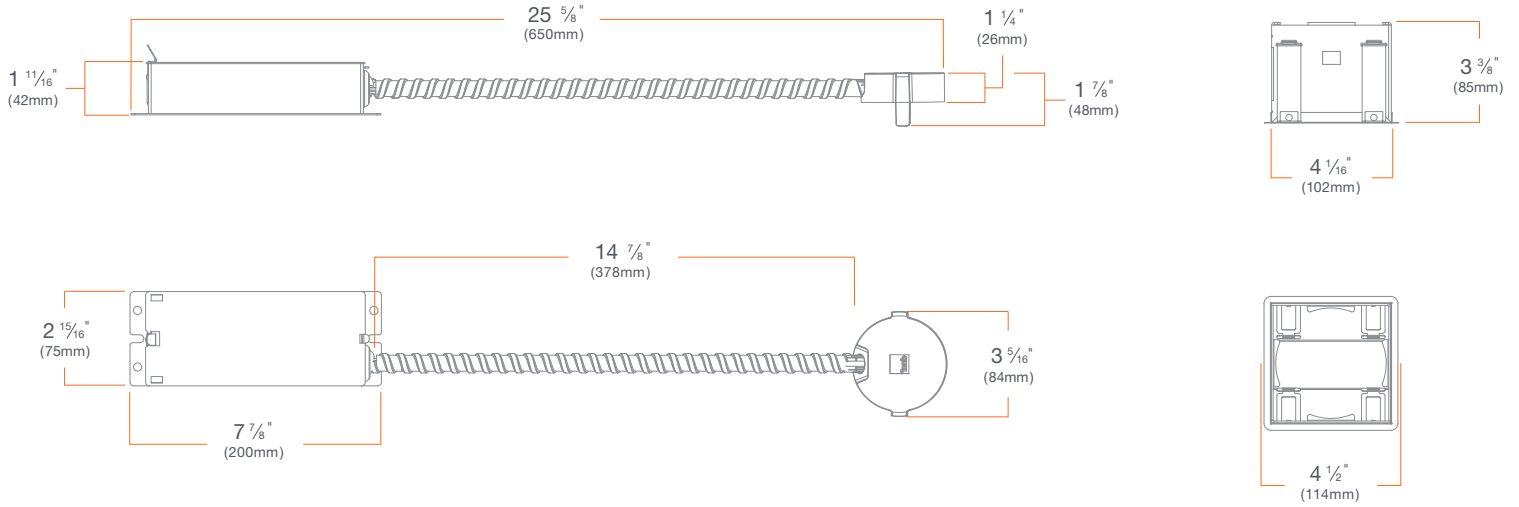
CUTOUT: 4 1/4" (106mm) square opening

WARRANTY: 5 year limited warranty

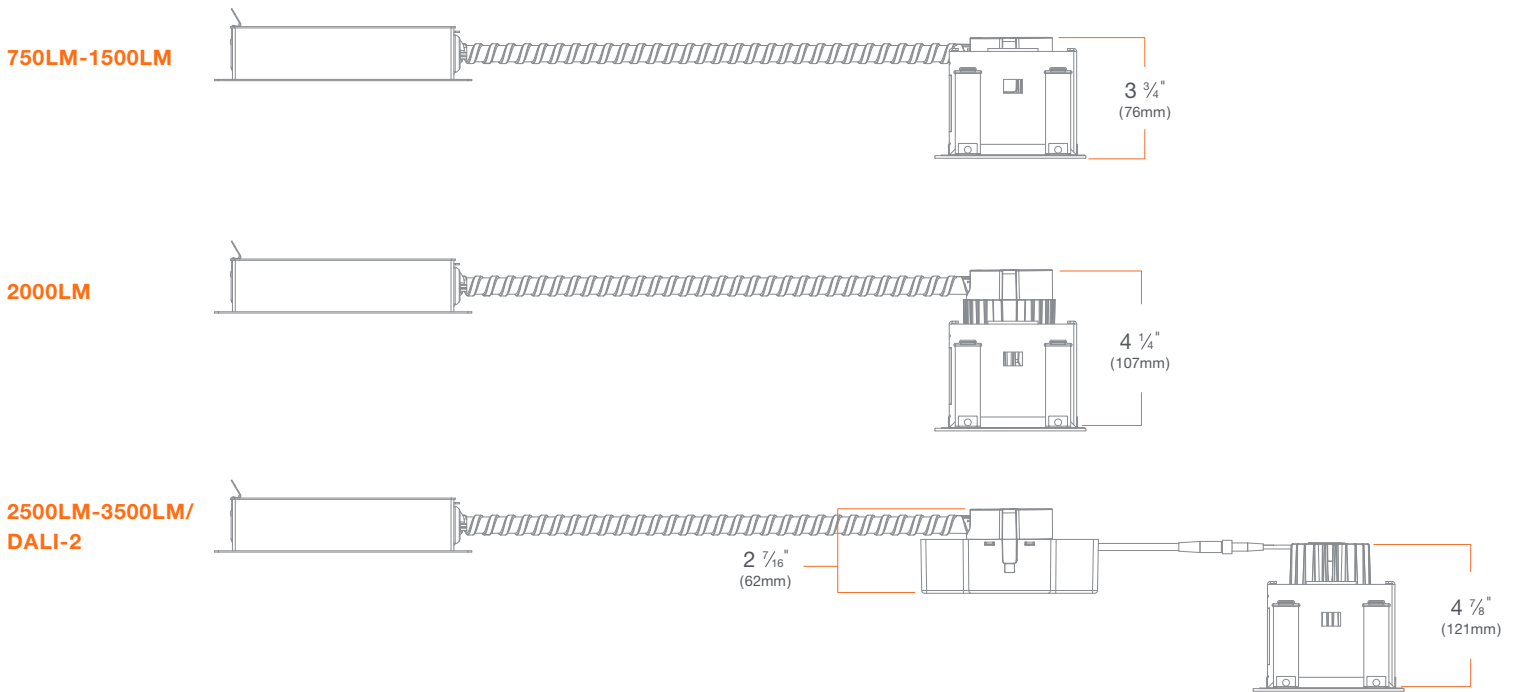
Standard

M4RMSN

(Dimensions not including module)



Total Height in Plenum



TRIMS



4" Square Trims

M4TS

SUMMARY

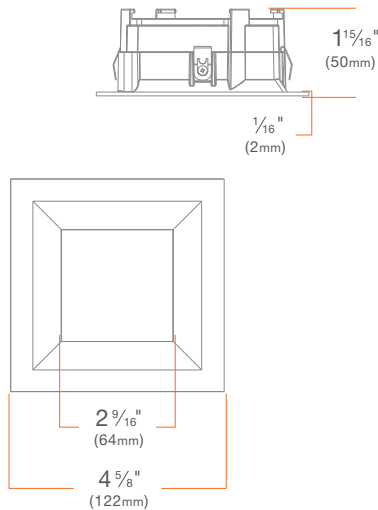
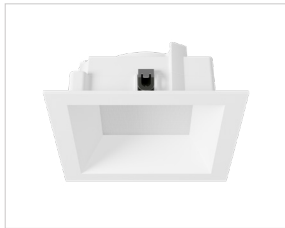
CONSTRUCTION: Die-cast aluminum

DECORATIVE: Acrylic diffuser

INSTALLATION: Twist & Lock

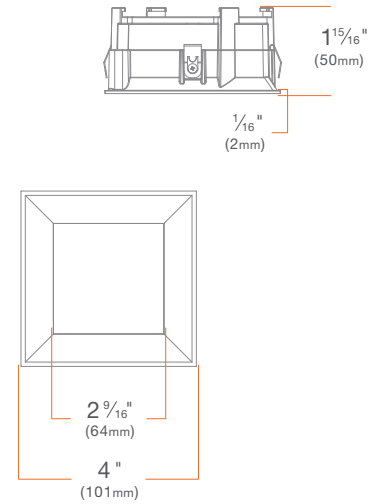
Standard

M4TSDWH



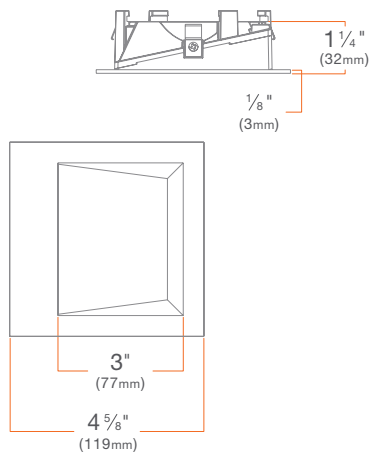
Standard Flangeless

M4TSDWHFL



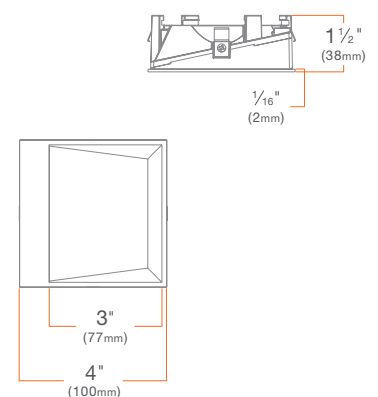
Wall Wash

Round: **M4TSLWH**



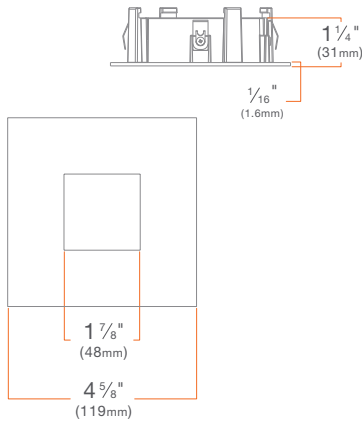
Flangeless Wall Wash

M4TSLWHFL



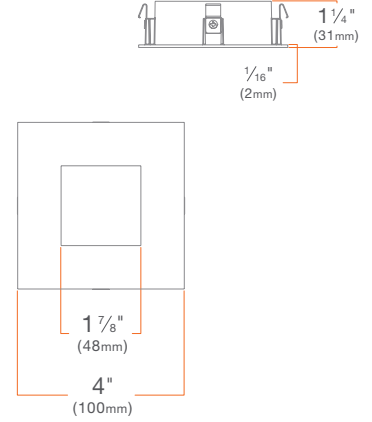
Pinhole

M4TSPWH



Pinhole Flangeless

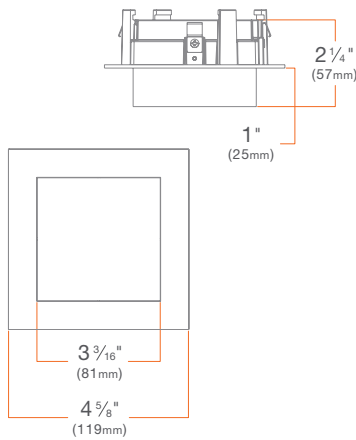
M4TSPWHFL



Decorative Closed

Frosted: M4TSSWHDCF

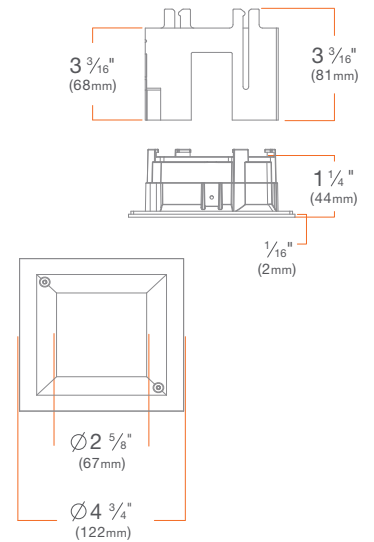
Clear, Frosted Sides: M4TSSWHDCCF



Vandal Proof/IP66

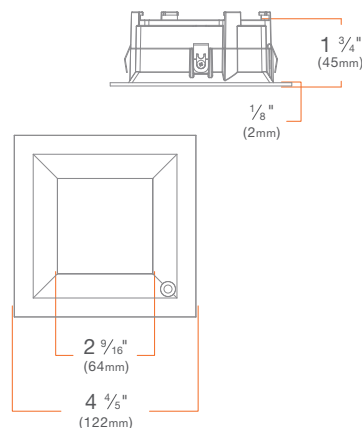
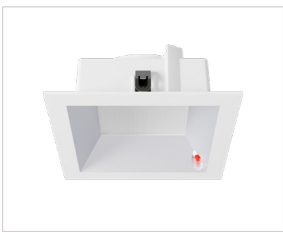
**For use with Standard New Construction Only*

M4TSDWHVP



Emergency with Integrated Test Switch

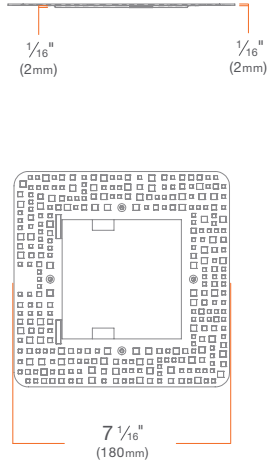
M4TSDWHEM



ACCESSORIES

Flangeless Mud Plate

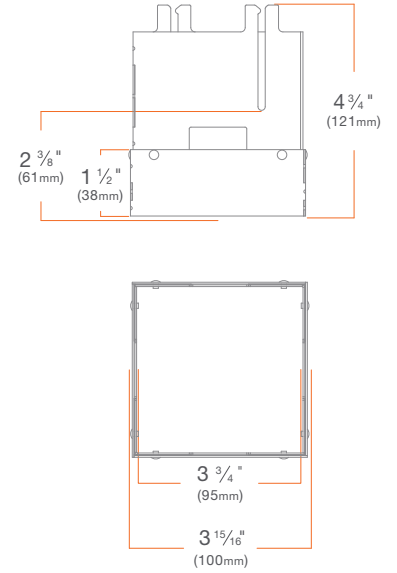
M4XSMUD



Extension Collar

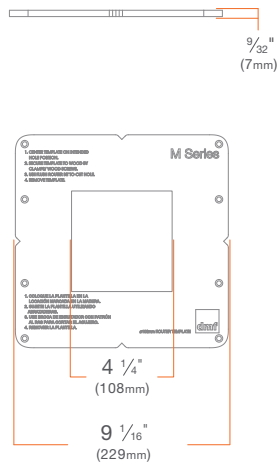
*For use with Standard New Construction Only

M4CSEXT



Router Template

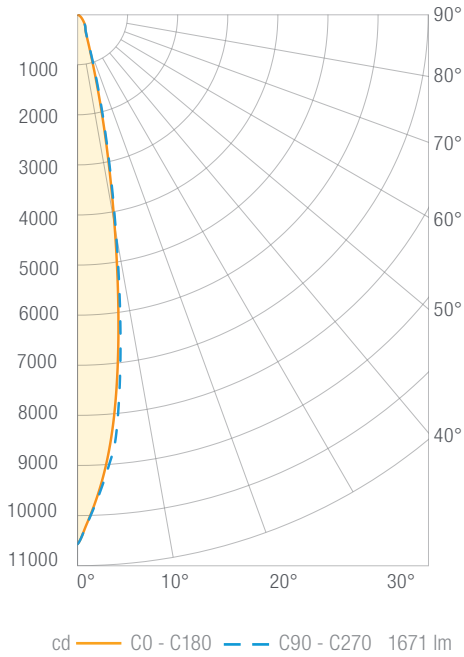
M4KSTEMPLATE



PHOTOMETRY

MD 2000 lm, 3000K, Narrow Spot

MD20930NS | M4TSDWH



Luminous Intensity

| Gamma | C 0° |
|-------|-------|
| 0° | 10571 |
| 5° | 8190 |
| 10° | 4258 |
| 15° | 1612 |
| 20° | 681 |
| 25° | 397 |
| 30° | 315 |
| 35° | 262 |
| 40° | 201 |
| 45° | 148 |
| 50° | 111 |
| 55° | 81 |
| 60° | 55 |
| 65° | 26 |
| 70° | 13 |
| 75° | 8 |
| 80° | 5 |
| 85° | 2 |
| 90° | 0 |

Values in candela

Zonal Lumen Summary

| Zone | Lumens | Luminaire % |
|-------|--------|-------------|
| 0-30 | 1306 | 80 |
| 0-40 | 1458 | 89 |
| 0-60 | 1633 | 98 |
| 0-90 | 1671 | 100 |
| 0-180 | 1671 | 100 |

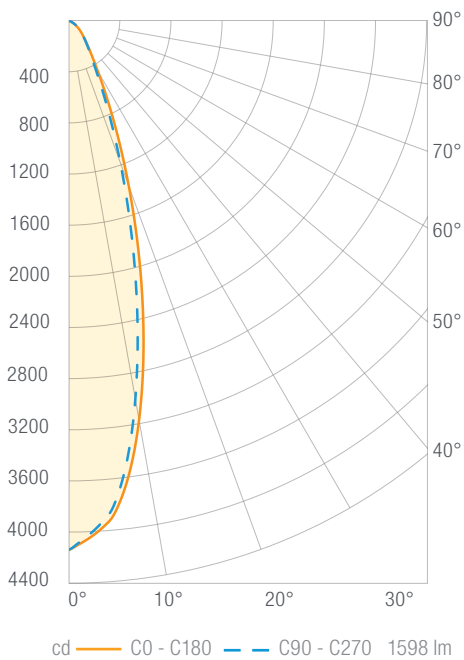
Illuminance Chart

| Distance from LED | Foot Candles | Diameter |
|-------------------|--------------|----------|
| 3' | 1174.5 | 0.9' |
| 6' | 293.6 | 1.8' |
| 9' | 130.5 | 2.8' |
| 12' | 73.4 | 3.7' |

Beam Angle: 17° x 18°

MD 2000 lm, 3000K, Spot

MD20930SP



Luminous Intensity

| Gamma | C 0° |
|-------|------|
| 0° | 4139 |
| 5° | 3902 |
| 10° | 3173 |
| 15° | 2223 |
| 20° | 1375 |
| 25° | 787 |
| 30° | 456 |
| 35° | 293 |
| 40° | 207 |
| 45° | 152 |
| 50° | 111 |
| 55° | 79 |
| 60° | 52 |
| 65° | 26 |
| 70° | 13 |
| 75° | 8 |
| 80° | 5 |
| 85° | 3 |
| 90° | 0 |

Values in candela

Zonal Lumen Summary

| Zone | Lumens | Luminaire % |
|-------|--------|-------------|
| 0-30 | 1221 | 78 |
| 0-40 | 1390 | 87 |
| 0-60 | 1562 | 98 |
| 0-90 | 1598 | 100 |
| 0-180 | 1598 | 100 |

Illuminance Chart

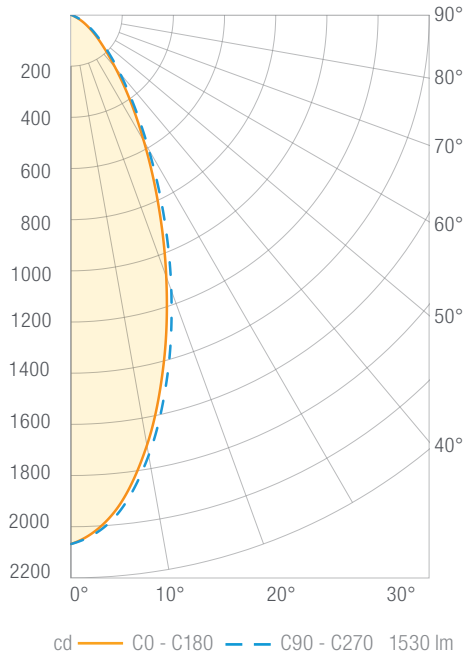
| Distance from LED | Foot Candles | Diameter |
|-------------------|--------------|----------|
| 3' | 459.9 | 1.7' |
| 6' | 115.0 | 3.4' |
| 9' | 51.1 | 5.1' |
| 12' | 28.7 | 6.8' |

Beam Angle: 32° x 29°

PHOTOMETRY

MD 2000 lm, 3000K, Flood

MD20930FL | M4TSDWH



Luminous Intensity

| Gamma | C 0° |
|-------|------|
| 0° | 2068 |
| 5° | 1949 |
| 10° | 1708 |
| 15° | 1403 |
| 20° | 1088 |
| 25° | 802 |
| 30° | 569 |
| 35° | 397 |
| 40° | 270 |
| 45° | 184 |
| 50° | 127 |
| 55° | 84 |
| 60° | 52 |
| 65° | 24 |
| 70° | 11 |
| 75° | 7 |
| 80° | 5 |
| 85° | 3 |
| 90° | 0 |

Values in candela

Zonal Lumen Summary

| Zone | Lumens | Luminaire % |
|-------|--------|-------------|
| 0-30 | 981 | 64 |
| 0-40 | 1248 | 82 |
| 0-60 | 1483 | 97 |
| 0-90 | 1530 | 100 |
| 0-180 | 1530 | 100 |

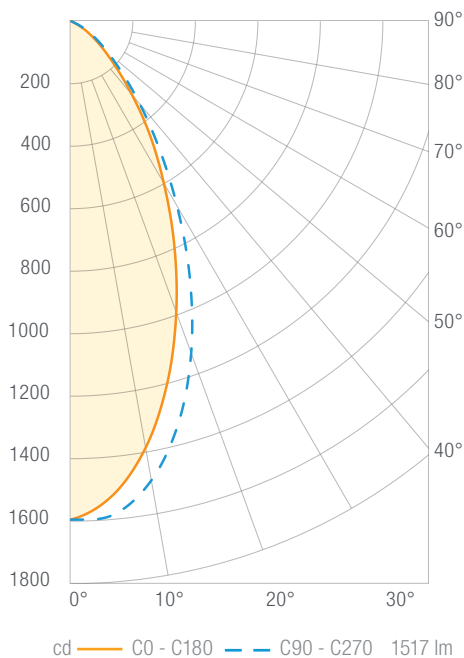
Illuminance Chart

| Distance from LED | Foot Candles | Diameter |
|-------------------|--------------|----------|
| 3' | 229.7 | 2.4' |
| 6' | 57.4 | 4.8' |
| 9' | 25.5 | 7.2' |
| 12' | 14.4 | 9.6' |

Beam Angle: 44° X 44°

MD 2000 lm, 3000K, Wide Flood

MD20930WF | M4TSDWH



Luminous Intensity

| Gamma | C 0° |
|-------|------|
| 0° | 1595 |
| 5° | 1525 |
| 10° | 1386 |
| 15° | 1199 |
| 20° | 991 |
| 25° | 786 |
| 30° | 598 |
| 35° | 443 |
| 40° | 306 |
| 45° | 204 |
| 50° | 136 |
| 55° | 86 |
| 60° | 51 |
| 65° | 22 |
| 70° | 11 |
| 75° | 8 |
| 80° | 5 |
| 85° | 3 |
| 90° | 0 |

Values in candela

Zonal Lumen Summary

| Zone | Lumens | Luminaire % |
|-------|--------|-------------|
| 0-30 | 892 | 59 |
| 0-40 | 1197 | 79 |
| 0-60 | 1470 | 97 |
| 0-90 | 1517 | 100 |
| 0-180 | 1517 | 100 |

Illuminance Chart

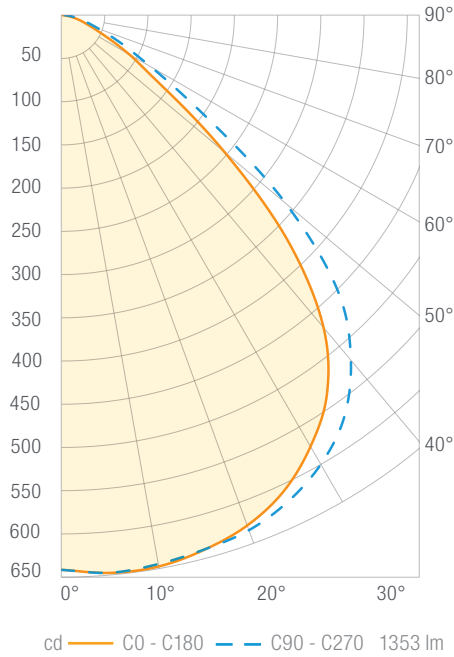
| Distance from LED | Foot Candles | Diameter |
|-------------------|--------------|----------|
| 3' | 122 | 3.1' |
| 6' | 31 | 6.2' |
| 9' | 14 | 9.3' |
| 12' | 8 | 12.3' |

Beam Angle: 54° X 52°

PHOTOMETRY

MD 2000 lm, 3000K, General Ambient

MD20930GA | M4TSDWH



Luminous Intensity

| Gamma | C 0° |
|-------|------|
| 0° | 642 |
| 5° | 648 |
| 10° | 648 |
| 15° | 640 |
| 20° | 628 |
| 25° | 608 |
| 30° | 576 |
| 35° | 535 |
| 40° | 472 |
| 45° | 372 |
| 50° | 246 |
| 55° | 141 |
| 60° | 91 |
| 65° | 54 |
| 70° | 33 |
| 75° | 22 |
| 80° | 12 |
| 85° | 6 |
| 90° | 1 |

Values in candela

Zonal Lumen Summary

| Zone | Lumens | Luminaire % |
|-------|--------|-------------|
| 0-30 | 513 | 38 |
| 0-40 | 834 | 62 |
| 0-60 | 1262 | 93 |
| 0-90 | 1353 | 100 |
| 0-180 | 1353 | 100 |

Illuminance Chart

| Distance from LED | Foot Candles | Diameter |
|-------------------|--------------|----------|
| 3' | 71.3 | 6.6' |
| 6' | 17.8 | 13.3' |
| 9' | 7.9 | 19.9' |
| 12' | 7.9 | 26.6' |

Beam Angle: 96° X 98°