

M Series Commercial

Project:	Type:
Product Code:	Date:

V072525



4" Square Downlight

Versatile Solution for all spaces providing high quality lighting ranging from 750 lm all the way up to 3500 lm

Expedite Install with our easily adjustable universal housing and bar hanger systems allowing for application in most ceiling types

Enhanced Serviceability features are achieved through our fully integrated driver solutions allow for ease of maintenance & implementation of design changes all below the ceiling plane

Seamless Integration with many control systems allowing two-channel control dimming options down as low as 0.1%

INSTALLATION

Ceiling Thickness

New Construction: 1/2" up to 2"
Remodel: 1/2" up to 1 1/4"
Extension Collar: 2" to 3"

Ceiling Material

Drywall, Millwork

TRIMS

Aperture

4"

Shape

Square

Style

Standard, Flangeless,
Wall Wash/Sloped Ceiling, Pinhole,
Decorative, Vandal Proof/IP66

Finish

White, Black, Clear Diffuse,
Custom Color (RAL Colors)

LIGHT OUTPUT & DISTRIBUTION

Module

Downlight

Lumens (Power)

750 lm (9.5W), 1000 lm (12.5W),
1250 lm (14.3W), 1500 lm (14.3W),
2000 lm (24.5W), 2500 lm (27.5W),
3000 lm (34.0W), 3500 lm (40.5W)

Color Quality

93 CRI, 2-step SDCM

Color Temperature

- 2400K
- 2700K
- 3000K
- 3500K
- 4000K
- Warm Dim (3000K–1800K)
- Tunable White (6500–2700K)

Beam Spread

- 15° Narrow Spot
- 60° Wide Flood
- 25° Spot
- 90°+ General Ambient
- 40° Flood

POWER & CONTROLS

Input Voltage

120 / 277V

Dimming

0-10V (1%), Lutron Athena Wireless Node (1%),
DALI-2 (0.1%)

RATINGS & CERTIFICATIONS

Housing

- RoHS Compliant
(Suitable for Use in Air-Handling Space,
Complies with UL2043)

Module and Trim

- Wet Location/IP66 Rated
Configurations Available
(Flanged Trims, Under Covered Areas Only)
- IK10 Rated Option Available
(Vandal Proof Trim)

Warranty

5 year limited warranty; 50,000 hours



Declare.



DARKSKY APPROVED
Reduces Light Pollution
Certified by DarkSky.org





DMF LightSpeed
Our Quickest Shipping Selections are Highlighted for shipping in 2 days or less
All other items qty 100 or less ship in 5 days or less (custom color excluded)

PRODUCT BUILDER | SQUARE | DOWNLIGHT | EMBEDDED 0-10V

HOUSING

EXAMPLE: **M4NCSN** **MD07924GAO** **M4TSDWH**

PRODUCT CODE	
M4NCSN	4" Square Housing, New Construction, Non-IC Rated
M4RMSN	4" Square Housing, Remodel, Non-IC Rated ¹

LIGHT MODULE

PRODUCT CODE		LUMENS		CRI		CCT		BEAM SPREAD		DIMMING	
MD				9						O	
MD	Downlight Module	07	750 lm	9	93 CRI	24	2400K ³ (Coming Soon)	GA	General Ambient (90°+) ³	O	0-10V
		10	1000 lm			27	2700K	NS	Narrow Spot (15°) ³		
		12	1250 lm			30	3000K	SP	Spot (25°)		
		15	1500 lm			35	3500K	FL	Flood (40°)		
		20	2000 lm			40	4000K	WF	Wide Flood (60°)		
		25	2500 lm			3W	Warm Dim (3000–1800K) ²				
		30	3000 lm								
		35	3500 lm								

TRIM | STANDARD

PRODUCT CODE		FINISH		OPTION	
M4TSD	Standard Trim	WH	White	[Blank]	None
M4TSL	Wall Wash/Sloped Ceiling Trim ⁴	BK	Black	FL	Flangeless ^{5,6}
M4TSP	Pinhole Trim ^{5,9}	CW	Clear Diffuse, White Flange	VP	Vandal Proof /IP66 ⁷
		CC	Custom Color (RAL Colors)		

TRIM | DECORATIVE (WHITE FINISH ONLY)

M4TSSWHDCF	Decorative: Closed, Frosted ^{8,9}
M4TSSWHDCCF	Decorative: Closed, Clear Frosted Inside ^{8,9}

¹ Not available with Flangeless, Vandal Proof trim options nor Extension Collars

² Only available in 1000 lm; not available in Narrow Spot beam spread

³ Only available in 750 - 2000 lm

⁴ Recommended with WF Optic for Standard Wallwashing and SP Optic for Sloped Ceilings

⁵ Only available in White, Black or Custom Color finish

⁶ Mud plate is required for all Flangeless installations except for Wood ceiling; Not compatible with Remodel Housing

⁷ Available in Standard trim style and White, Anti-Microbial finish; For installation in New Construction Housing only; Not compatible with Extension Collar

⁸ Only available in GA beam spread

⁹ Only available in 750 - 1500 lm

ACCESSORIES

M4XSMUD	Flangeless Mud Plate (Required for Flangeless Trim drywall installation)
M4KSTEMPLATE	Flangeless Wood Template (Recommended for Flangeless Trim wood installation)
M4CSEXT	Square Extension Collar (For New Construction Only - Ceiling Installations up to 3")

LOOSE OPTIC ACCESSORIES

MDLX-GA	Low Lumen (750-2000LM) Downlight Optic GA 90° Beam Spread	MDLX-WF	Low Lumen (750-2000LM) Downlight Optic WF 60° Beam Spread
MDLX-NS	Low Lumen (750-2000LM) Downlight Optic NS 15° Beam Spread	MDHX-SP	High Lumen (2500-3500LM) Downlight Optic SP 25° Beam Spread
MDLX-SP	Low Lumen (750-2000LM) Downlight Optic SP 25° Beam Spread	MDHX-FL	High Lumen (2500-3500LM) Downlight Optic FL 40° Beam Spread
MDLX-FL	Low Lumen (750-2000LM) Downlight Optic FL 40° Beam Spread	MDHX-WF	High Lumen (2500-3500LM) Downlight Optic WF 60° Beam Spread



DMF LightSpeed
Our Quickest Shipping Selections are Highlighted for shipping in 2 days or less
All other items qty 100 or less ship in 5 days or less (custom color excluded)

PRODUCT BUILDER | SQUARE | DOWNLIGHT | ATHENA WIRELESS NODE/DALI-2

HOUSING

EXAMPLE: **M4NCSN07OAWN MD07924GAA M4TSDWH**

PRODUCT CODE		INSTALLATION		SHAPE		RATING		OUTPUT		DIMMING		WIRELESS	
M4		NC		S		N							
M4	4" Housing	NC	New Construction	S	Square	N	Non-IC	07	750 lm	O	0-10V (AWN Only)	[Blank]	None (DALI-2 Only)
								10	1000 lm	DS	DALI-2 (Static CCT) ¹	AWN	Athena Wireless Node
								12	1250 lm	DT	DALI-2 (Tunable White) ^{2,7}		
								15	1500 lm				
								20	2000 lm				
								25	2500 lm				
								30	3000 lm				
								35	3500 lm				

LIGHT MODULE

PRODUCT CODE		LUMENS		CRI		CCT		BEAM SPREAD		DIMMING	
MD				9						A	
MD	Downlight Module	07	750 lm	9	93 CRI	24	2400K ³ (Coming Soon)	GA	General Ambient (90°+) ³	A	Alternate
		10	1000 lm			27	2700K	NS	Narrow Spot (15°) ³		
		12	1250 lm			30	3000K	SP	Spot (25°)		
		15	1500 lm			35	3500K	FL	Flood (40°)		
		20	2000 lm			40	4000K	WF	Wide Flood (60°)		
		25	2500 lm			3W	Warm Dim (3000–1800K) ⁴				
		30	3000 lm			T2	Tunable White (6500–2700K) ^{2,5,7}				
		35	3500 lm								

TRIM | STANDARD

PRODUCT CODE		FINISH		OPTION	
M4TSD	Standard Trim	WH	White	[Blank]	None
M4TSL	Wall Wash/Sloped Ceiling Trim ⁶	BK	Black	FL	Flangeless ^{8,9}
M4TSP	Pinhole Trim ^{7,8}	CW	Clear Diffuse, White Flange	VP	Vandal Proof /IP66 ¹⁰
		CC	Custom Color (RAL Colors)		

TRIM | DECORATIVE (WHITE FINISH ONLY)

M4TSSWHDOF	Decorative: Open, Frosted ^{7,11}
M4TSSWHDCF	Decorative: Closed, Frosted ^{7,11}

¹ Not available in 3500 lm

² Not available in GA or NS Optics

³ Only available in 750 - 2000 lm

⁴ Only available in 1000 lm; Not available in Narrow Spot beam spread

⁵ Only available in DALI-2 Dimming

⁶ Recommended with WF Optic for Standard Wall Wash and SP Optic for Sloped Ceilings

⁷ Only available in 750 - 1500 lm

⁸ Only available in White, Black or Custom Color finish

⁹ Mud Plate required for FL Install except for wood ceiling

¹⁰ Available in Standard trim style and White, Anti-Microbial finish;

Not compatible with Extension Collar

¹¹ Recommended with General Ambient beam spread

ACCESSORIES

M4XSMUD	Flangeless Mud Plate (Required for Flangeless Trim drywall installation)
M4KSTEMPLATE	Flangeless Wood Template (Recommended for Flangeless Trim wood installation)
M4CSEXT	Square Extension Collar (For New Construction Only - Ceiling Installations up to 3")



DMF LightSpeed
Our Quickest Shipping Selections are Highlighted for shipping in 2 days or less
All other items qty 100 or less ship in 5 days or less (custom color excluded)

PRODUCT BUILDER | SQUARE | DOWNLIGHT | EMERGENCY LIGHTING

HOUSING

EXAMPLE: **M4NCSN07OEM MD07924GAA M4TSDWHEM**

PRODUCT CODE		INSTALLATION		SHAPE		RATING		LUMEN		DIMMING		WIRELESS		OPTION	
M4		NC		S		N									
M4	4" Housing	NC	New Construction	S	Square	N	Non-IC	07	750 lm	O	0-10V for EM only	[Blank]	None	EM	Emergency driver, Integrated switch ⁴
								10	1000 lm	DS	DALI-2 Static CCT ¹	AWN	Athena Wireless Node	EMS	Emergency driver, Remote switch
								12	1250 lm	DT	DALI-2 Tunable White CCT ^{2,3}				
								15	1500 lm						
								20	2000 lm						
								25	2500 lm						
								30	3000 lm						
								35	3500 lm						

LIGHT MODULE

PRODUCT CODE		LUMENS		CRI		CCT		BEAM SPREAD		DIMMING	
MD				9						A	
MD	Downlight Module	07	750 lm	9	93 CRI	24	2400K ⁹ (Coming Soon)	GA	General Ambient (90°+) ⁹	A	Alternate
		10	1000 lm			27	2700K	NS	Narrow Spot (15°) ⁹		
		12	1250 lm			30	3000K	SP	Spot (25°)		
		15	1500 lm			35	3500K	FL	Flood (40°)		
		20	2000 lm			40	4000K	WF	Wide Flood (60°)		
		25	2500 lm			3W	Warm Dim (3000-1800K) ⁵				
		30	3000 lm			T2	Tunable White (6500-2700K) ^{2,3,6}				
		35	3500 lm								

TRIM | STANDARD

PRODUCT CODE		FINISH		OPTION	
M4TSD	Standard Trim	WH	White	[Blank]	None
M4TSL	Wall Wash/Sloped Ceiling Trim ⁷	BK	Black	FL	Flangeless ^{8,10}
M4TSP	Pinhole Trim ^{3,8}	CW	Clear Diffuse, White Flange	EM	Integrated test switch ^{4,11}
		CC	Custom Color (RAL Colors)	VP	Vandal Proof/IP66 ¹²

¹ Not available in 3500 lm

² Not available in GA or NS Optics

³ Only available in 750 - 1500 lm

⁴ Integrated test switch must be selected for both housing and trim

⁵ Only available in 1000 lm; Not available in NS beam spread

⁶ Only available in DALI-2 Dimming

⁷ Recommended with WF Optic for Standard Wallwashing and SP Optic for Sloped Ceilings

⁸ Only available in White, Black, or Custom Color finish

TRIM | DECORATIVE (WHITE FINISH ONLY)

M4TSSWHDOF	Decorative: Open, Frosted ^{3,13}
M4TSSWHDCF	Decorative: Closed, Frosted ^{3,13}

⁹ Only available 750 - 2000 lm

¹⁰ Mud Plate required for FL Install except for wood ceiling

¹¹ Only available in Standard trim style, White or Clear Diffuse

¹² Only Available in Standard trim style and White, Anti-Microbial Finish; Not compatible with Extension Collar

¹³ Recommended in General Ambient beam spread

ACCESSORIES

M4XSMUD	Flangeless Mud Plate (Required for Flangeless Trim drywall installation)
M4KSTEMPLATE	Flangeless Wood Template (Recommended for Flangeless Trim wood installation)
M4CSEXT	Square Extension Collar (For New Construction Only - Ceiling Installations up to 3")

MODULE



4" Downlight

MD

SUMMARY

INPUT VOLTAGE: 120/277V, 50/60Hz

COLOR QUALITY: 93 CRI ¹

MAX INPUT CURRENT (120V): 0.350 amps

MAX INPUT CURRENT (277V): 0.165 amps

AC CONNECTOR: 6 pin Molex

DC CONNECTOR: Male 4-Pin Low Voltage Connector

POWER FACTOR: Greater than 0.9

TOTAL HARMONIC DISTORTION: Less than 20%

AMBIENT OPERATING TEMPERATURE: -20°C to 40°C

LISTINGS: ENERGY STAR[®] qualified ², UL Listed for Wet Location (Under covered ceilings only), used with flanged trims only) UL Certified US•CA, Declare, RoHS Compliant, shatter-resistant construction, Dark Sky Compliant ³, NSF/ANSI 2 listed, suitable for splash zone ⁴, DALI-2 Compliant, Compliant to FCC Title 47 Part 15; Class B

SPECIAL LISTINGS (VANDAL PROOF TRIM): IK10 Rating, IP66 Listing, Anti-Microbial, Ligature-Resistant construction

WARRANTY: 5 year limited warranty; 50,000 hours at 70% lumen maintenance

¹ Tested in accordance to IESNA LM-79-2008

² Refer to ENERGY STAR Certified light fixtures database

³ DarkSky Approved is only applicable to CCT Options less than or equal to 3000K

⁴ White and Black Finish only

MODULE PERFORMANCE

Based on 93 CRI, 3000K Module + STD White + Trim (M4TSDWH)

(Please refer to IES files for other trim types)

		STATIC CCT							WARM DIM	T2	
LED CHIP		Bridgelux 93 CRI (2400K), Cree 93 CRI (All other CCT)							Bridgelux 93 CRI		
SDCM		2-STEP							3-STEP		
PN DESIGNATION		07	10	12	15	20	25	30	35	10	10
WATTAGE		9.5W	12.5W	14.3W	14.3W	24.5W	27.5W	34.0W	40.5W	12.5W	12.5W
NS	Lumens	602	824	931	1071	1813	N/A				
	LPW ¹	63.3	65.9	65.1	64.9	75.5					
	CBCP ²	3800	5205	5882	6467	11452					
	UGR ³	12.1	13.1	13.6	14.1	15.9					
SP	Lumens	556	761	860	989	1674	2255	2637	3213	677	872
	LPW	58.5	60.9	60.1	60	69.8	82	77.5	79.3	54.2	60.1
	CBCP	1438	1970	2226	2561	4333	7679	8979	10943	1753	1725
	UGR	12	13.1	13.5	14	15.8	8.8	9.3	10	12.7	16.1
FL	Lumens	531	728	822	945	1600	2205	2578	3142	647	855
	LPW	55.9	58.2	57.5	57.3	66.7	80.2	75.8	77.6	51.8	59
	CBCP	712	976	1103	1269	2147	2851	3334	4063	869	982
	UGR	14.3	15.4	15.9	16.3	18.2	13.2	13.8	14.4	15	16.4
WF	Lumens	585	802	906	1042	1764	2453	2868	3496	713	834
	LPW	61.6	64.1	63.3	63.2	73.5	89.2	84.4	86.3	57.1	57.5
	CBCP	612	839	948	1090	1845	1949	2279	2777	746	875
	UGR	15.4	16.5	17	17.4	19.3	21.1	21.6	22.3	16.1	16.8
GA	Lumens	567	900	1017	1170	1980	N/A			801	1012
	LPW	69.2	72	71.1	70.9	82.5				64.1	69.8
	CBCP	314	431	487	560	948				383	582
	UGR	20.5	21.6	22	22.5	24.3				21.2	20.4

		STATIC					WARM DIM		T2 TUNABLE WHITE		
CCT		2400K	2700K	3000K	3500K	4000K	1800K	3000K	2700K	3000K	6500K
MULTIPLIER		0.80	0.93	1	1.05	1.07	0.05	1	0.96	1	1.07

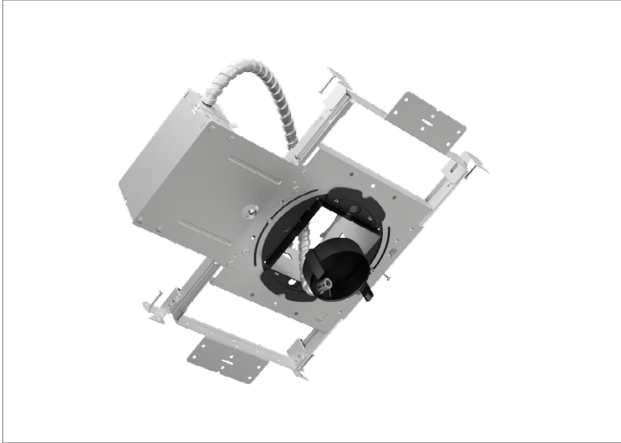
EMERGENCY BATTERY	LPW x 5
--------------------------	---------

¹ LPW: Lumens per watt

² CBCP: Center beam candlepower

³ UGR: Unified glare ratio (0.7/0.5/0.2, 4H/8H)

HOUSING



New Construction

M4NCSN

SUMMARY

JUNCTION BOX: Equipped with 6 knockouts: two 1/2" and two 3/4" trade size knockouts on top, two 1/2" trade size knockouts on side. Approved for 8 (four in, four out) #12 AWG 70°C

BAR HANGER MOUNTING: Adjustable Bar Hangers for 10" (254mm) - 24" (610mm) joist spacing compatible with traditional joists, Armstrong ceiling™, Hat Channel, T-Bar

CEILING: Thickness ranging from 1/2" (13mm) to 2" (51mm)

CUTOUT: 4" (101mm) square opening

WARRANTY: 5 year limited warranty

LISTINGS: Suitable for Use in Air-Handling Space – Complies with UL2043

ALTERNATE DIMMING SPECIFICATIONS

INPUT VOLTAGE: 120/277V, 50/60Hz

MAX INPUT CURRENT (120V): 0.130 amps

MAX INPUT CURRENT (277V): 0.065 amps

POWER FACTOR: Greater than 0.9

TOTAL HARMONIC DISTORTION: Less than 20%

LISTINGS: Compliant to FCC Title 47 Part 15; Class B

EMERGENCY BATTERY SPECIFICATIONS

EMERGENCY BATTERY : Emergency Battery Back up is designed to provide output for 90 minutes when in an emergency state

INPUT VOLTAGE: 120/277V 50/60Hz

ILLUMINATION TIME: 90min

CUTOUT: 4 1/4" (107mm) square opening

WATTAGE IN EM STATE: 5W

LUMEN OUTPUT IN EM STATE: LPW x 5

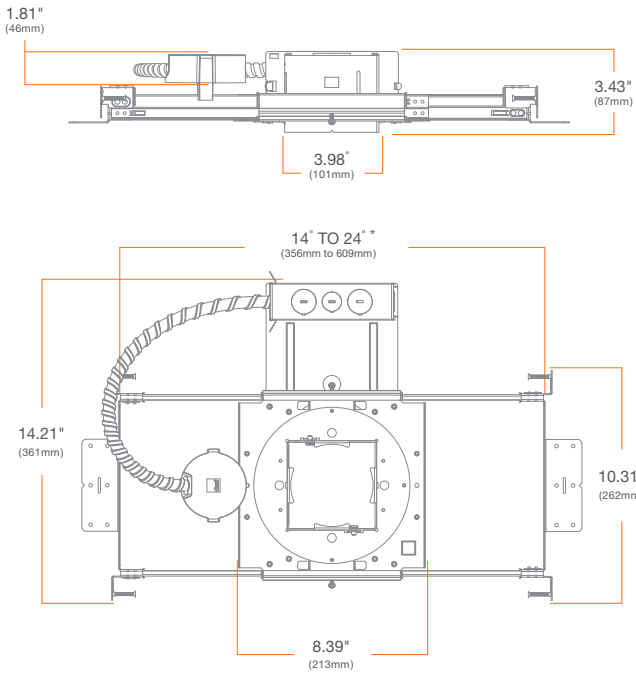
TEST SWITCH OPTIONS:

- **INTEGRATED TEST SWITCH (-ES HOUSING):** Requires Compatible trim - Flanged, Standard Style trim Only
- **REMOTE TEST SWITCH(-EMS HOUSING):** Must be installed according to local code can be used with any flanged, flangeless, or decorative trim type

New Construction

M4NCSN

(Dimensions not including module)

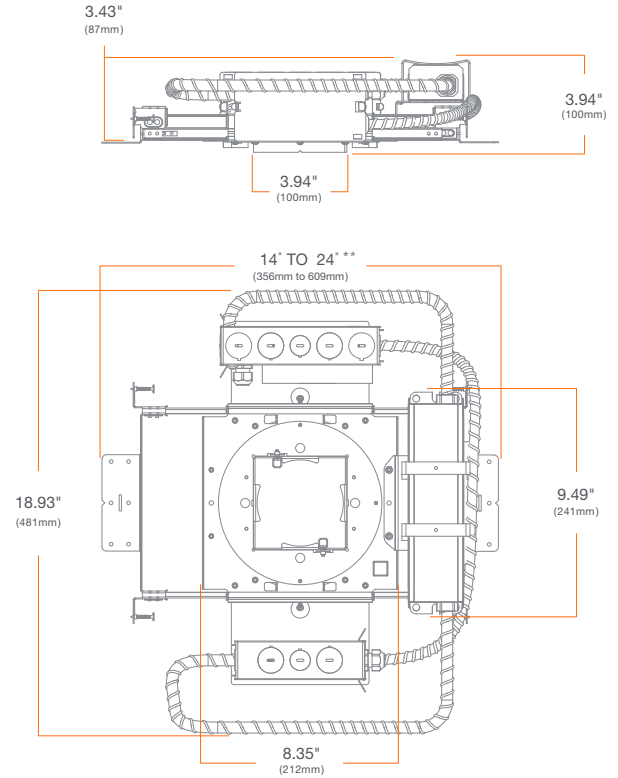


Emergency Lighting

M4NCSNxxxEM

M4NCSNxxxAWNEM

(Dimensions not including module)

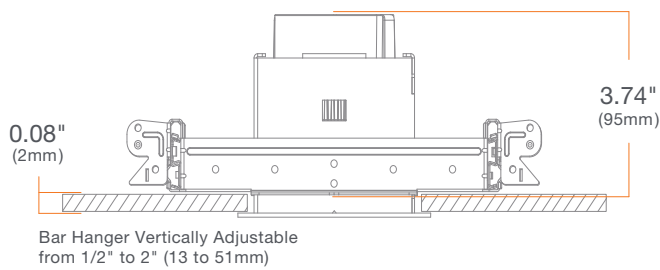


* Can be field cut to minimum 10" (254mm) for a range of 10" (254mm) - 24" (610mm)

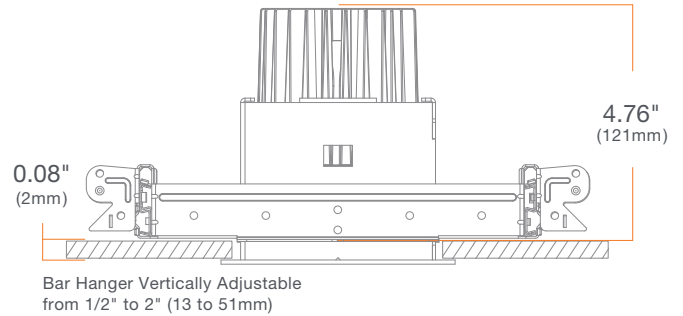
** Can be field cut to a minimum of 12" for a range of 12"(305mm) - 24" (610mm)

Total Height in Plenum

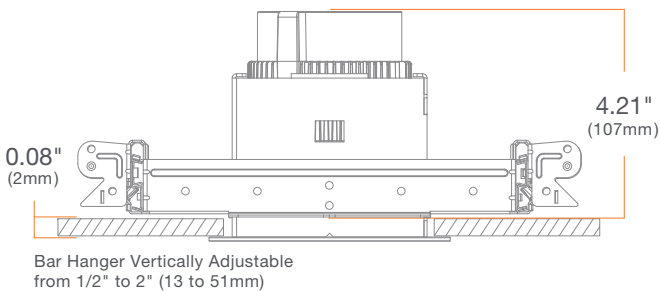
750LM-1500LM



2500LM-3500LM/DALI-2



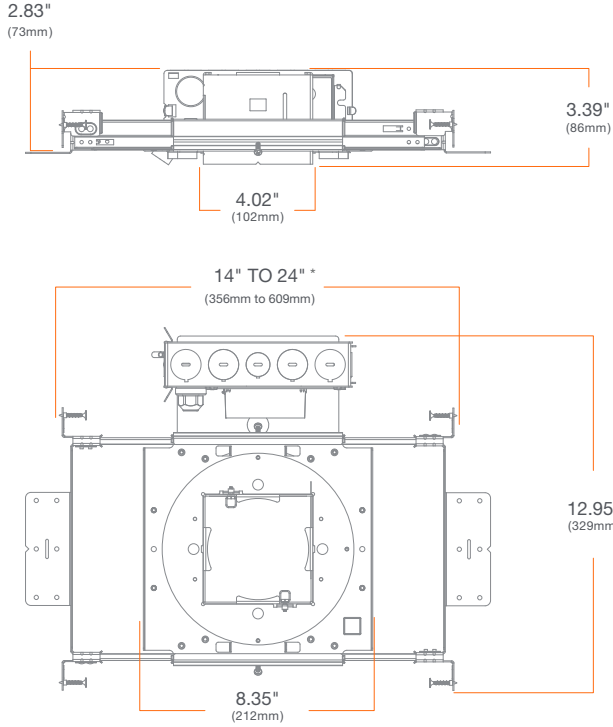
2000LM



New Construction Static DALI/Lutron Athena Node

M4NCSNxxDS
M4NCSNxxOAWN
M4NCSNxxDSAWN

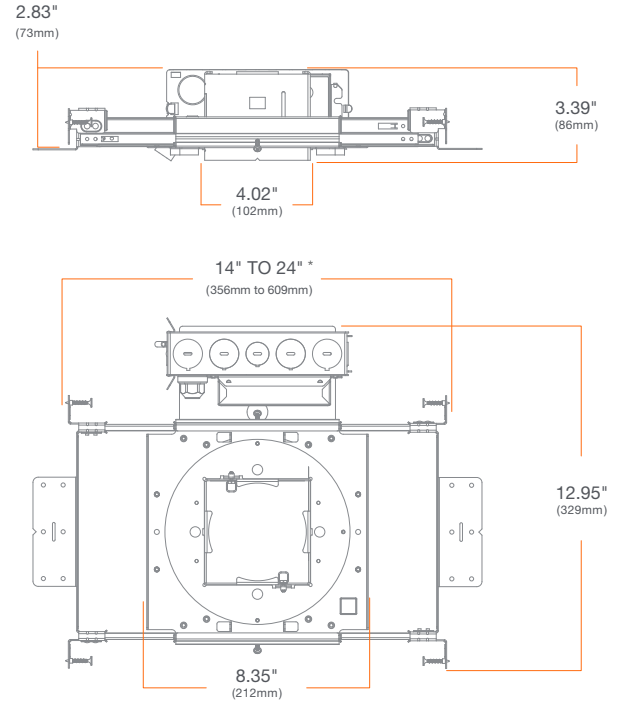
(Dimensions not including module)



New Construction Tunable White DALI-2

M4NCSNxxDT

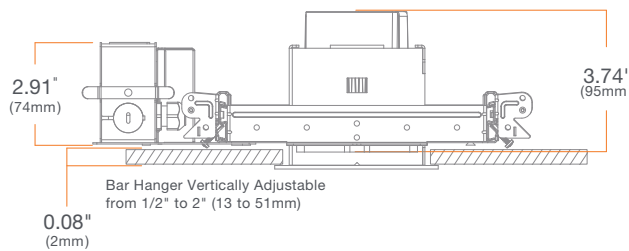
(Dimensions not including module)



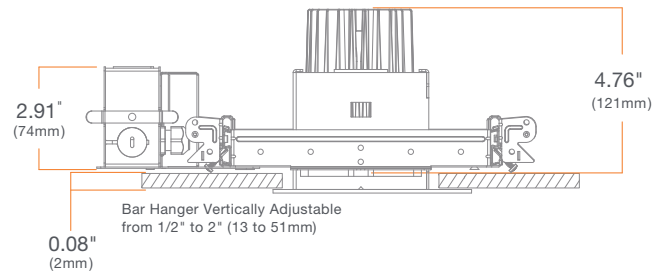
* Can be field cut to minimum 10" (254mm) for a range of 10" (254mm) - 24" (610mm)

Total Height in Plenum

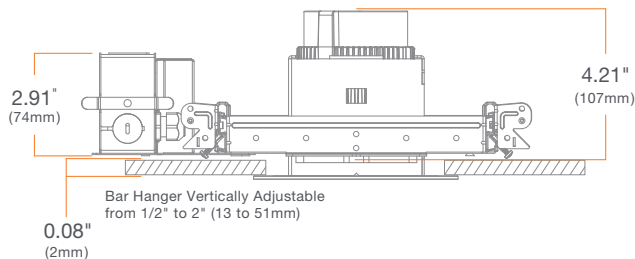
750LM-1500LM



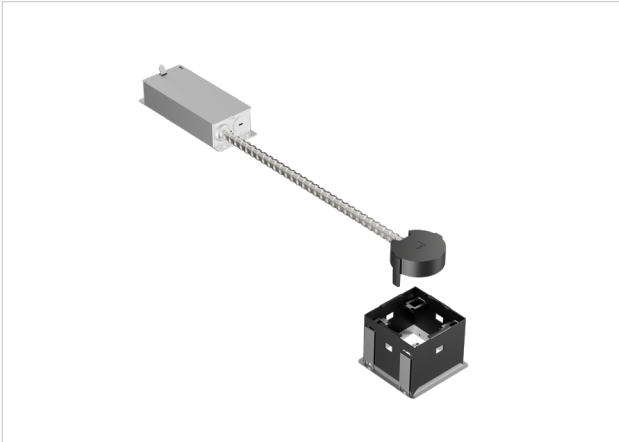
2500LM-3500LM/DALI-2



2000LM



HOUSING



Remodel

M4RMSN

SUMMARY

JUNCTION BOX: Equipped with 3 knockouts: two 1/2" trade size and one 3/4" trade size knockouts #12 AWG 70°C. Approved for 4 (2 in and 2 out)

CEILING: 1/2" (13mm) up to 1 1/4" (32mm)

CUTOUT: 4 1/4" (106mm) square opening

WARRANTY: 5 year limited warranty

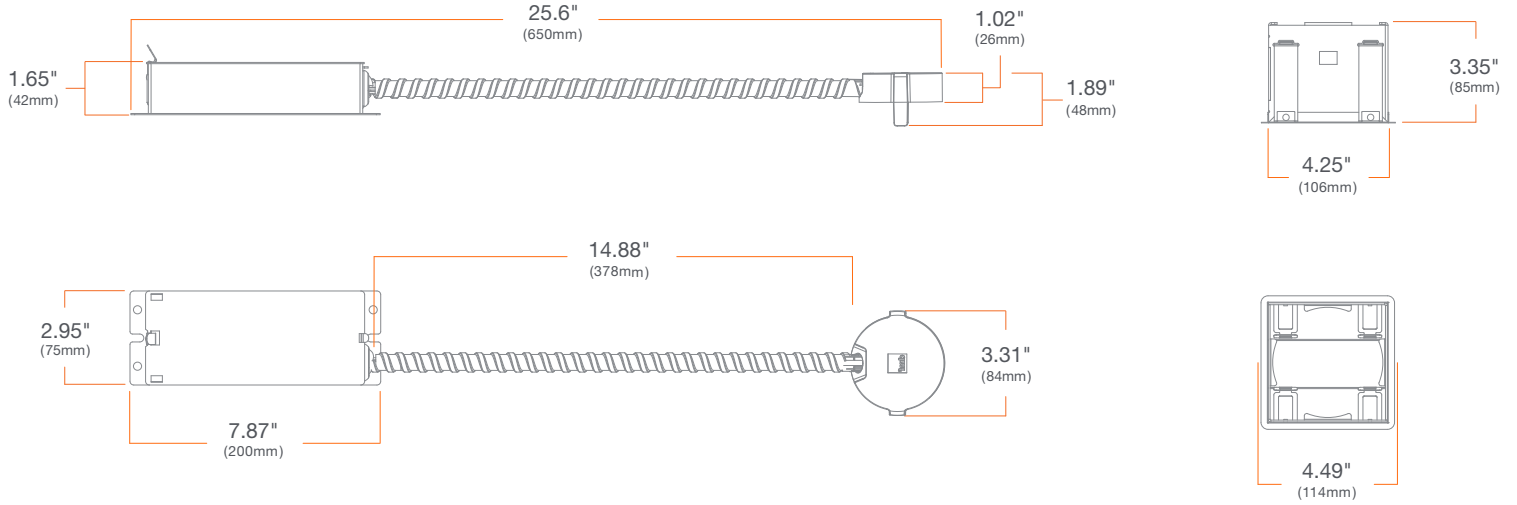
LISTINGS: Suitable for Use in Air-Handling Space – Complies with UL2043

TRIM COMPATIBILITY: For Use with Flanged Trims Only. Not Compatible with Vandal Proof or EM Trims

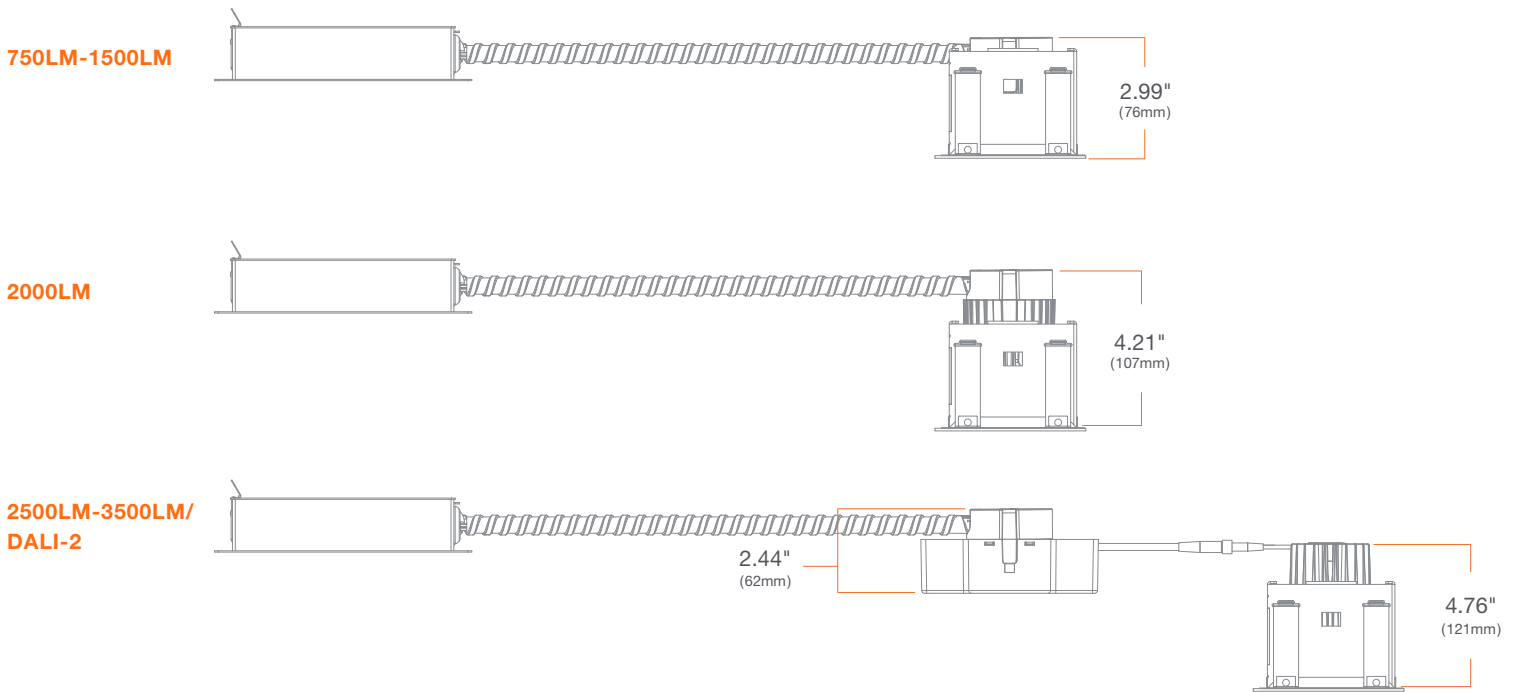
Standard

M4RMSN

(Dimensions not including module)



Total Height in Plenum



TRIMS



4" Square Trims

M4TS

SUMMARY

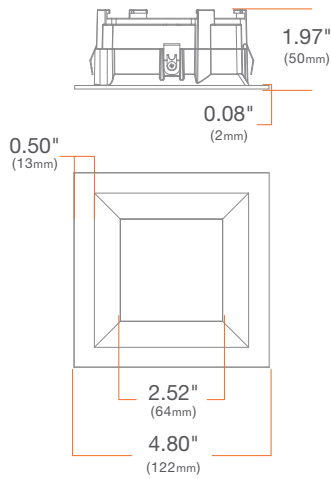
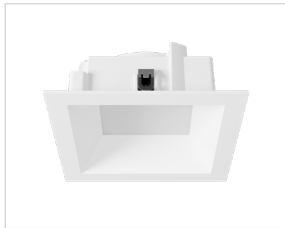
CONSTRUCTION: Die-cast aluminum

DECORATIVE: Acrylic diffuser

INSTALLATION: Twist & Lock

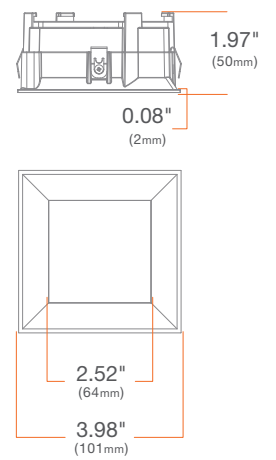
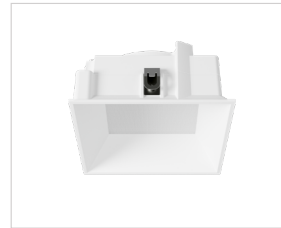
Standard

M4TSDWH



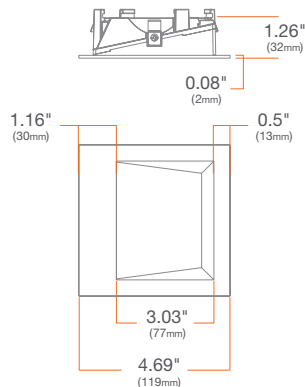
Standard Flangeless

M4TSDWHFL



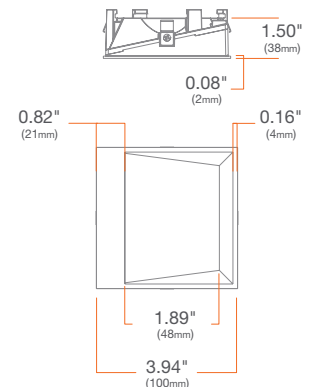
Wall Wash/Sloped Ceiling

Round: **M4TSLWH**



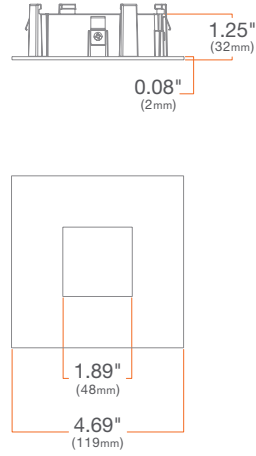
Wall Wash/Sloped Ceiling Flangeless

M4TSLWHFL



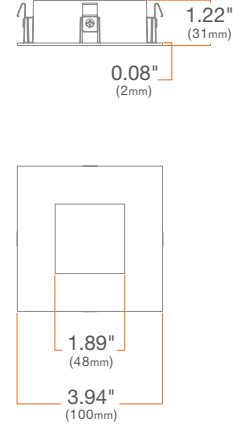
Pinhole

M4TSPWH



Pinhole Flangeless

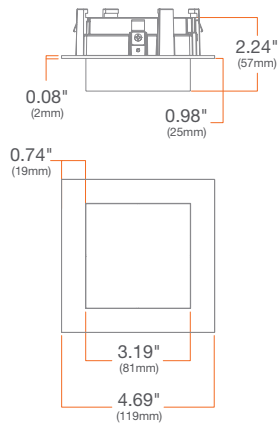
M4TSPWHFL



Decorative Closed

Frosted: **M4TSSWHDCF**

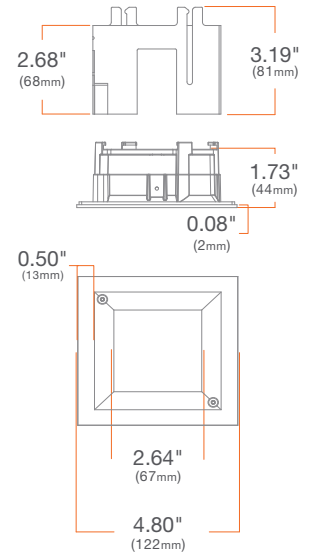
Clear, Frosted Sides: **M4TSSWHDCCF**



Vandal Proof/IP66

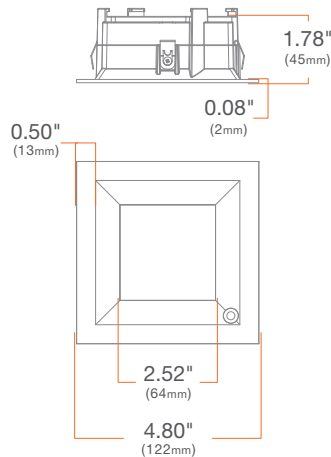
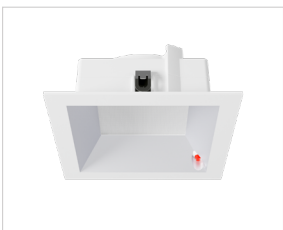
** For use with New Construction Housings Only*

M4TSDWHVP



Emergency with Integrated Test Switch

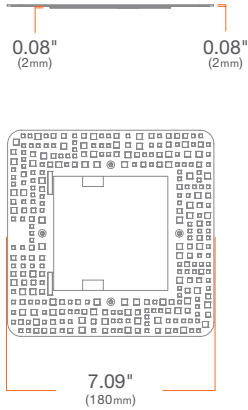
M4TSDWHEM



ACCESSORIES

Flangeless Mud Plate

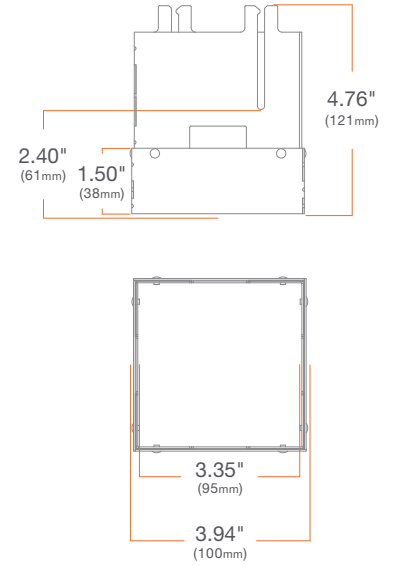
M4XSMUD



Extension Collar

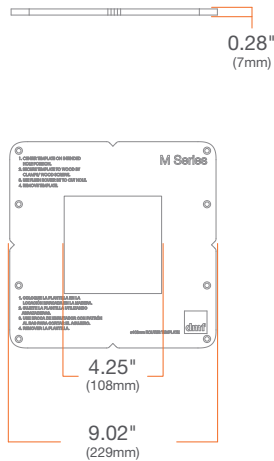
**For use with Standard New Construction Only*

M4CSEXT



Router Template

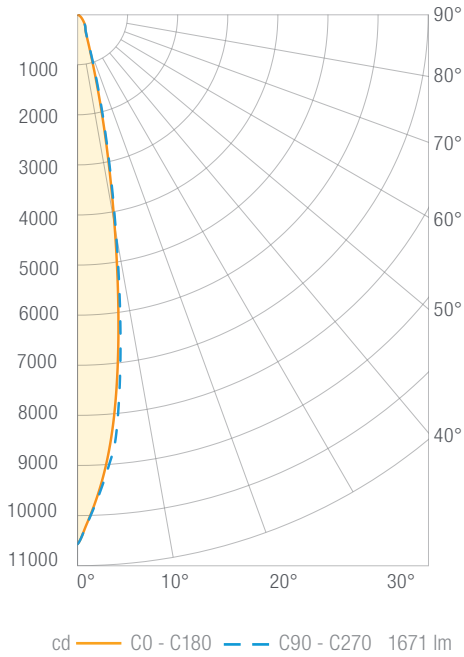
M4KSTEMPLATE



PHOTOMETRY

MD 2000 lm, 3000K, Narrow Spot

MD20930NS | M4TSDWH



Luminous Intensity

Gamma	C 0°
0°	10571
5°	8190
10°	4258
15°	1612
20°	681
25°	397
30°	315
35°	262
40°	201
45°	148
50°	111
55°	81
60°	55
65°	26
70°	13
75°	8
80°	5
85°	2
90°	0

Values in candela

Zonal Lumen Summary

Zone	Lumens	Luminaire %
0-30	1306	80
0-40	1458	89
0-60	1633	98
0-90	1671	100
0-180	1671	100

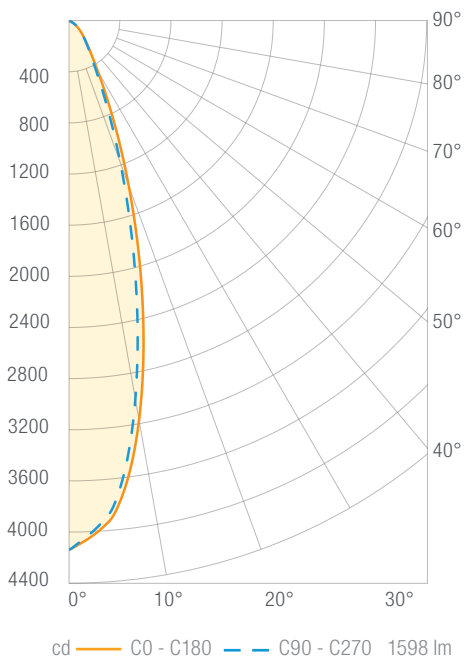
Illuminance Chart

Distance from LED	Foot Candles	Diameter
3'	1174.5	0.9'
6'	293.6	1.8'
9'	130.5	2.8'
12'	73.4	3.7'

Beam Angle: 17° x 18°

MD 2000 lm, 3000K, Spot

MD20930SP | M4TSDWH



Luminous Intensity

Gamma	C 0°
0°	4139
5°	3902
10°	3173
15°	2223
20°	1375
25°	787
30°	456
35°	293
40°	207
45°	152
50°	111
55°	79
60°	52
65°	26
70°	13
75°	8
80°	5
85°	3
90°	0

Values in candela

Zonal Lumen Summary

Zone	Lumens	Luminaire %
0-30	1221	78
0-40	1390	87
0-60	1562	98
0-90	1598	100
0-180	1598	100

Illuminance Chart

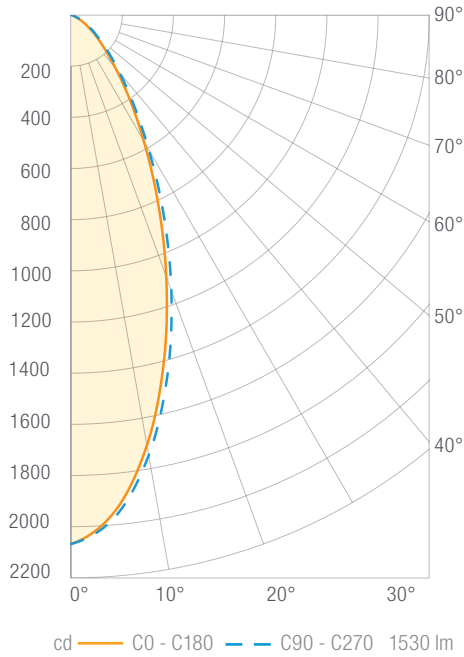
Distance from LED	Foot Candles	Diameter
3'	459.9	1.7'
6'	115.0	3.4'
9'	51.1	5.1'
12'	28.7	6.8'

Beam Angle: 32° x 29°

PHOTOMETRY

MD 2000 lm, 3000K, Flood

MD20930FL | M4TSDWH



Luminous Intensity

Gamma	C 0°
0°	2068
5°	1949
10°	1708
15°	1403
20°	1088
25°	802
30°	569
35°	397
40°	270
45°	184
50°	127
55°	84
60°	52
65°	24
70°	11
75°	7
80°	5
85°	3
90°	0

Values in candela

Zonal Lumen Summary

Zone	Lumens	Luminaire %
0-30	981	64
0-40	1248	82
0-60	1483	97
0-90	1530	100
0-180	1530	100

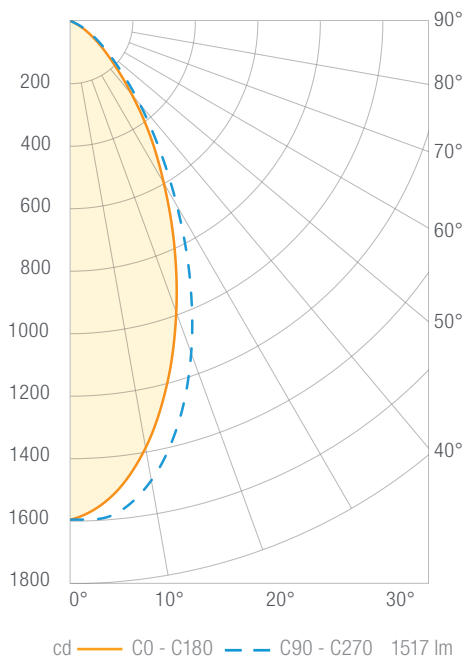
Illuminance Chart

Distance from LED	Foot Candles	Diameter
3'	229.7	2.4'
6'	57.4	4.8'
9'	25.5	7.2'
12'	14.4	9.6'

Beam Angle: 44° X 44°

MD 2000 lm, 3000K, Wide Flood

MD20930WF | M4TSDWH



Luminous Intensity

Gamma	C 0°
0°	1595
5°	1525
10°	1386
15°	1199
20°	991
25°	786
30°	598
35°	443
40°	306
45°	204
50°	136
55°	86
60°	51
65°	22
70°	11
75°	8
80°	5
85°	3
90°	0

Values in candela

Zonal Lumen Summary

Zone	Lumens	Luminaire %
0-30	892	59
0-40	1197	79
0-60	1470	97
0-90	1517	100
0-180	1517	100

Illuminance Chart

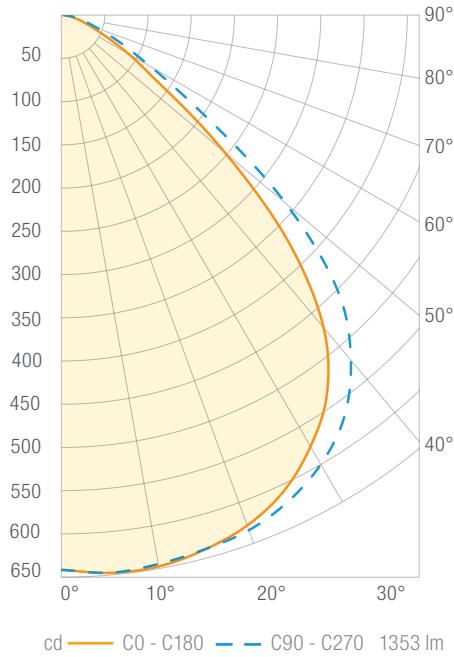
Distance from LED	Foot Candles	Diameter
3'	122	3.1'
6'	31	6.2'
9'	14	9.3'
12'	8	12.3'

Beam Angle: 54° X 52°

PHOTOMETRY

MD 2000 lm, 3000K, General Ambient

MD20930GA | M4TSDWH



Luminous Intensity

Gamma	C 0°
0°	642
5°	648
10°	648
15°	640
20°	628
25°	608
30°	576
35°	535
40°	472
45°	372
50°	246
55°	141
60°	91
65°	54
70°	33
75°	22
80°	12
85°	6
90°	1

Values in candela

Zonal Lumen Summary

Zone	Lumens	Luminaire %
0-30	513	38
0-40	834	62
0-60	1262	93
0-90	1353	100
0-180	1353	100

Illuminance Chart

Distance from LED	Foot Candles	Diameter
3'	71.3	6.6'
6'	17.8	13.3'
9'	7.9	19.9'
12'	7.9	26.6'

Beam Angle: 96° X 98°