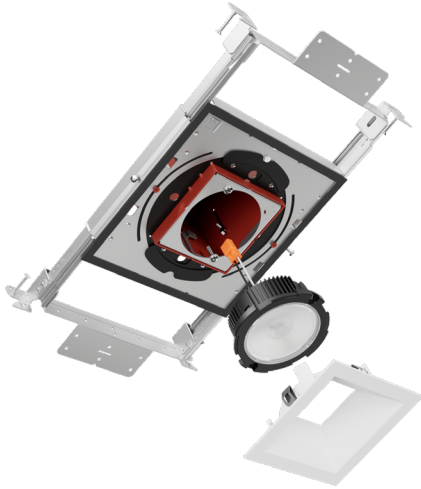


# M Series

Project:	Type:
Product Code:	Date:

V032125



## 4" Square Downlight

**Modular System** Flexibility during and after installation with interchangeable modules, optics and trims

**Quick Install** Embedded driver and plug-and-play connection require no wiring

**High Performance** Precise lighting control without sacrificing stellar efficiency

**Enhanced Dimming** Smooth, Flicker-free dimming options down to 0.1%

### INSTALLATION

#### Ceiling Thickness

New Construction: 1/2" up to 1 3/4"  
 Spray Foam: 1/2" up to 2"  
 Remodel: 5/8" up to 1 1/4"  
 Low Profile: 1/2" up to 1 1/4"  
 Super Shallow: 1/2" up to 1 1/2"  
*(Coming Soon)*

#### Ceiling Material

Drywall, Millwork, Acoustic Ceiling Tiles

### TRIMS

#### Aperture

4"

#### Shape

Square

#### Style

Standard, Flangeless, Round on Square, Pinhole, Wall Wash/Sloped Ceiling, Decorative

#### Finish

White, Black, Bronze, Clear Diffuse, Custom Color (RAL Colors)

### LIGHT OUTPUT & DISTRIBUTION

#### Module

Downlight

#### Lumens (Power)

750 lm (9.5W), 1000 lm (12.5W),  
 1250 lm (14.3W), 1500 lm (14.3W)

#### Color Quality

93 CRI, 2-step SDCM

#### Color Temperature

- 2700K
- 3000K
- 3500K
- 4000K
- Warm Dim (3000K-1800K)
- Tunable White (4000K-1800K)
- Tunable White (6500K-2700K)

#### Beam Spread

- 15°  
Narrow Spot
- 25°  
Spot
- 40°  
Flood
- 60°  
Wide Flood
- 90°+  
General
- 40° x 20°  
Linear Spread
- Soft  
Focus

### POWER & CONTROLS

#### Input Voltage

120 / 277V

#### Dimming

0-10V (1%), DALI-2 (0.1%), TRIAC/ELV (1%),  
 Lutron Athena Wireless Node (1%)  
*(Coming Soon)*

### RATINGS & CERTIFICATIONS

#### Housing

- IC (Insulation Contact) Rated
  - ASTM E283 Certified Air Tight
  - Code compliant for use in fire-rated assemblies up to a maximum of 2-hours
  - STC/IIC Sound Rated
  - Chicago Plenum
  - RoHS Compliant
- #### Module and Trim
- UL Listed for Wet Location  
*(Flanged trims, under covered areas only)*
  - NSF Listed  
*(White and Black Finish Only)*

#### Warranty

5 year limited warranty; 50,000 hours



## PRODUCT BUILDER - EMBEDDED TRIAC/ELV, 0-10V, DALI-2

### M SERIES HOUSING

PRODUCT CODE		APPLICATION		SHAPE		RATING	
<b>M4</b>				<b>S</b>			
<b>M4</b>	4" Housing	<b>NC</b>	New Construction	<b>S</b>	Square	<b>S</b>	Standard
		<b>NS</b>	Super Shallow <sup>1</sup> (Coming Soon)			<b>F</b>	Fire Rated
		<b>CP</b>	Chicago Plenum <sup>1</sup>				
		<b>LT</b>	Low Profile TRIAC (3" Plenum) <sup>2</sup>				
		<b>LO</b>	Low Profile 0-10V (3" Plenum) <sup>2</sup>				
		<b>RM</b>	Remodel <sup>3</sup>				
		<b>SF</b>	Spray Foam <sup>1,3</sup>				

### DRD MODULE

PRODUCT CODE		LUMENS		CRI		CCT <sup>4</sup>		BEAM SPREAD		DIMMING	
<b>DRD2M</b>				<b>9</b>							
<b>DRD2M</b>	Downlight	<b>07</b>	750 lm	<b>9</b>	93 CRI	<b>27</b>	2700K	<b>GA</b>	General Ambient (90°+)	<b>T</b>	TRIAC/ELV
		<b>10</b>	1000 lm			<b>30</b>	3000K	<b>NS</b>	Narrow Spot (15°) <sup>7</sup>	<b>O</b>	0-10V
		<b>12</b>	1250 lm			<b>35</b>	3500K	<b>SP</b>	Spot (25°)	<b>D</b>	DALI-2 <sup>8</sup>
		<b>15</b>	1500 lm			<b>40</b>	4000K	<b>FL</b>	Flood (40°)		
						<b>3W</b>	Warm Dim <sup>5</sup> (3000K–1800K)	<b>WF</b>	Wide Flood (60°)		
						<b>T1</b>	Tunable White <sup>6</sup> (4000K–1800K)	<b>LS</b>	Linear Spread (40°x 20°)		
						<b>T2</b>	Tunable White <sup>6</sup> (6500K–2700K)	<b>SF</b>	Soft Focus		

### M SERIES TRIM

PRODUCT CODE		FINISH		OPTION	
<b>M4TSS</b>	Standard	<b>WH</b>	White	<b>[Blank]</b>	None
<b>M4TSQ</b>	Round on Square	<b>BK</b>	Black	<b>DCF</b>	Decorative: Closed, Frosted <sup>4,12,13</sup>
<b>M4TSP</b>	Pinhole <sup>9,10</sup>	<b>BZ</b>	Bronze	<b>DCCF</b>	Decorative: Closed, Clear, Frosted Inside <sup>4,12,13</sup>
<b>M4TSL</b>	Wall Wash/Sloped Ceiling <sup>11</sup>	<b>CW</b>	Clear Diffuse, White Flange	<b>FL</b>	Flangeless <sup>15</sup>
		<b>CC</b>	Custom Color (RAL Colors)	<b>DF</b>	Dead Front <sup>2,12,14</sup>

<b>M4XSMUD</b>	Flangeless Mud Plate (Required for Flangeless Trim drywall installation)
<b>M4KSTEMPLATE</b>	Router Template (Recommended for wood installation)

<sup>1</sup> Only available in Standard rating

<sup>2</sup> Not available in DALI-2 dimming

<sup>3</sup> Only available for Flanged trims

<sup>4</sup> DarkSky approved only applicable to configurations with CCT options 3000K or less and not compatible with Decorative trims

<sup>5</sup> Only available in 1000 lm

<sup>6</sup> Only available in 1000 lm, DALI-2 dimming

<sup>7</sup> Not available in Warm Dim CCT or Tunable White CCT

<sup>8</sup> Only available in 1000 lm Warm Dim or Tunable White and 1250 lm static CCT

<sup>9</sup> Only available in White, Black or Custom Color finish

<sup>10</sup> Only available in 750 lm or 1000 lm

<sup>11</sup> Recommended with General Ambient beam spread for general wallwashing and Spot Beam Spread for sloped ceiling; Not available in Bronze finish

<sup>12</sup> Only available in General Ambient beam spread

<sup>13</sup> Only available in Standard style, White finish

<sup>14</sup> Only available in 750 lm

<sup>15</sup> Mudplate is required for all Flangeless trims except for wood ceiling applications. Not available for spray foam or remodel application; Not available in Clear Diffuse finish

## PRODUCT BUILDER - EMERGENCY LIGHTING

### M SERIES HOUSING

PRODUCT CODE		APPLICATION		SHAPE		RATING		LUMEN		DIMMING		EMERGENCY	
<b>M4</b>		<b>NC</b>		<b>S</b>									
<b>M4</b>	4" Housing	<b>NC</b>	New Construction	<b>S</b>	Square	<b>S</b>	Standard	<b>07</b>	750 lm	<b>T</b>	TRIAC/ELV for EM only	<b>[Blank]</b>	None
						<b>F</b>	Fire Rated	<b>10</b>	1000 lm	<b>O</b>	0-10V for EM only	<b>EM</b>	EM Driver, Integrated Switch <sup>1</sup>
								<b>12</b>	1250 lm			<b>ES</b>	EM Driver, Remote Switch
								<b>15</b>	1500 lm				

### DRD MODULE

PRODUCT CODE		LUMENS		CRI		CCT <sup>2</sup>		BEAM SPREAD		DIMMING	
<b>DRD2M</b>				<b>9</b>						<b>A</b>	
<b>DRD2M</b>	Downlight	<b>07</b>	750 lm	<b>9</b>	93 CRI	<b>27</b>	2700K	<b>GA</b>	General Ambient (90°+)	<b>A</b>	Alternate
		<b>10</b>	1000 lm			<b>30</b>	3000K	<b>NS</b>	Narrow Spot (15°) <sup>4</sup>		
		<b>12</b>	1250 lm			<b>35</b>	3500K	<b>SP</b>	Spot (25°)		
		<b>15</b>	1500 lm			<b>40</b>	4000K	<b>FL</b>	Flood (40°)		
						<b>3W</b>	Warm Dim <sup>3</sup>	<b>WF</b>	Wide Flood (60°)		
								<b>LS</b>	Linear Spread (40°x 20°)		
								<b>SF</b>	Soft Focus		

### M SERIES TRIM

PRODUCT CODE		FINISH		OPTION	
<b>M4TSS</b>	Standard	<b>WH</b>	White	<b>[Blank]</b>	None
<b>M4TSQ</b>	Round on Square	<b>BK</b>	Black	<b>DCF</b>	Decorative: Closed, Frosted <sup>2,8,9</sup>
<b>M4TSP</b>	Pinhole <sup>5,6</sup>	<b>BZ</b>	Bronze	<b>DCCF</b>	Decorative: Closed, Clear, Frosted Inside <sup>2,8,9</sup>
<b>M4TSL</b>	Wall Wash/Sloped Ceiling <sup>7</sup>	<b>CW</b>	Clear Diffuse, White Flange	<b>FL</b>	Flangeless <sup>10</sup>
		<b>CC</b>	Custom Color (RAL Colors)	<b>DF</b>	Dead Front <sup>9,11</sup>
				<b>EM</b>	Integrated Test Switch <sup>1,12</sup>

<b>M4XSMUD</b>	Flangeless Mud Plate <i>(Required for Flangeless Trim drywall installation)</i>
<b>M4KSTEMPLATE</b>	Router Template <i>(Recommended for wood installation)</i>

<sup>1</sup> Integrated Test Switch option required for both housing and trim

<sup>2</sup> DarkSky approved only applicable to configurations with CCT options 3000K or less and not compatible with Decorative trims

<sup>3</sup> Only available in 1000 lm

<sup>4</sup> Not available in Warm Dim CCT

<sup>5</sup> Only available in White, Black, or Custom Color finish

<sup>6</sup> Only available in 750 lm or 1000 lm

<sup>7</sup> Recommended with General Ambient beam spread for general wallwashing and Spot Beam Spread for sloped ceiling; Not available in Bronze Finish

<sup>8</sup> Only available in General Ambient beam spread

<sup>9</sup> Only available in Standard style, White finish

<sup>10</sup> Mudplate is required for all Flangeless trims except for wood ceiling applications; Not available in Clear Diffuse finish

<sup>11</sup> Only available in 750 lm

<sup>12</sup> Only available in Standard style, White or Clear Diffuse finish

### PRODUCT BUILDER - AWRN (Lutron Athena Node) (Coming Soon)

#### M SERIES HOUSING

PRODUCT CODE		INSTALLATION		SHAPE		RATING		WIRELESS	
<b>M4</b>		<b>NC</b>		<b>S</b>				<b>AWNR</b>	
<b>M4</b>	4" Housing	<b>NC</b>	New Construction	<b>S</b>	Square	<b>S</b>	Standard	<b>AWNR</b>	Lutron Athena Node
						<b>F</b>	Fire Rated		

#### DRD MODULE

PRODUCT CODE		LUMENS		CRI		CCT <sup>1</sup>		BEAM SPREAD		DIMMING	
<b>DRD2M</b>				<b>9</b>						<b>O</b>	
<b>DRD2M</b>	Downlight	<b>07</b>	750 lm	<b>9</b>	93 CRI	<b>27</b>	2700K	<b>GA</b>	General Ambient (90°+)	<b>O</b>	0-10V
		<b>10</b>	1000 lm			<b>30</b>	3000K	<b>NS</b>	Narrow Spot (15°) <sup>3</sup>		
		<b>12</b>	1250 lm			<b>35</b>	3500K	<b>SP</b>	Spot (25°)		
		<b>15</b>	1500 lm			<b>40</b>	4000K	<b>FL</b>	Flood (40°)		
						<b>3W</b>	Warm Dim <sup>2</sup>	<b>WF</b>	Wide Flood (60°)		
								<b>LS</b>	Linear Spread (40°x 20°)		
								<b>SF</b>	Soft Focus		

#### M SERIES TRIM

PRODUCT CODE		FINISH		OPTION	
<b>M4TSS</b>	Standard	<b>WH</b>	White	<b>[Blank]</b>	None
<b>M4TSQ</b>	Round on Square	<b>BK</b>	Black	<b>DCF</b>	Decorative: Closed, Frosted <sup>1,7,8</sup>
<b>M4TSP</b>	Pinhole <sup>4,5</sup>	<b>BZ</b>	Bronze	<b>DCCF</b>	Decorative: Closed, Clear, Frosted Inside <sup>1,7,8</sup>
<b>M4TSL</b>	Wall Wash/Sloped Ceiling <sup>6</sup>	<b>CW</b>	Clear Diffuse, White Flange	<b>FL</b>	Flangeless <sup>9</sup>
		<b>CC</b>	Custom Color (RAL Colors)	<b>DF</b>	Dead Front <sup>8,10</sup>

<b>M4XSMUD</b>	Flangeless Mud Plate (Required for Flangeless Trim drywall installation)
<b>M4KSTEMPLATE</b>	Router Template (Recommended for wood installation)

<sup>1</sup> DarkSky approved only applicable to configurations with CCT options 3000K or less and not compatible with Decorative trims

<sup>2</sup> Only available in 1000 lm

<sup>3</sup> Not available in Warm Dim CCT

<sup>4</sup> Only available in White, Black, or Custom Color finish

<sup>5</sup> Only available in 750 lm or 1000 lm

<sup>6</sup> Recommended with General Ambient beam spread for general wallwashing and Spot Beam Spread for sloped ceiling; Not available in Bronze finish

<sup>7</sup> Only available in General Ambient beam spread

<sup>8</sup> Only available in Standard style, White finish

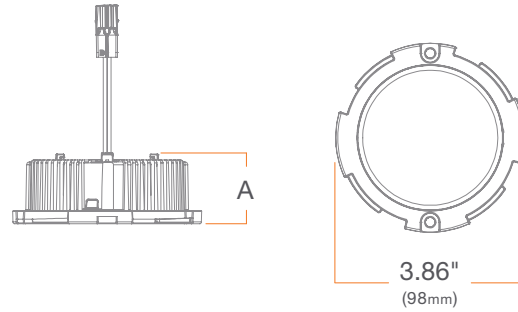
<sup>9</sup> Mudplate is required for all Flangeless trims except for wood ceiling applications; Not available in Clear Diffuse finish

<sup>10</sup> Only available in 750 lm

**PRODUCT BUILDER - OPTICS ACCESSORIES**

PRODUCT CODE	
<b>DRD2X-GA</b>	Fixed Conversion Kit: DRD2 Module to General Ambient (90°+)
<b>DRD2X-NS</b>	Fixed Narrow Spot (15°)
<b>DRD2X-SP</b>	Fixed Spot (25°)
<b>DRD2X-FL</b>	Fixed Flood (40°)
<b>DRD2X-WF</b>	Fixed Wide Flood (60°)
<b>DRD2X-LS</b>	Fixed Linear Spread (40° x 20°)
<b>DRD2X-SF</b>	Fixed Soft Focus
<b>DRD2X-OP</b>	Fixed Optics Kit: Narrow Spot (15°), Spot (25°), Flood (40°), Wide Flood (60°), Linear Spread (40° x 20°), Soft Focus

## MODULE



### Measurements

	A
Standard	1 7/16" [37 mm]
DALI-2	2" [50 mm]

## SUMMARY

	STATIC CCT	WARM DIM	TUNABLE WHITE
<b>CCT</b>	2700K, 3000K, 3500K, 4000K	3000K - 1800K	4000K - 1800K; 6500K - 2700K
<b>LUMENS (POWER)</b>	750 lm (9.5W), 1000 lm (12.5W) 1250 lm (14.3W), 1500lm (14.3W)	1000 lm (12.5W)	1000 lm (14.5W)
<b>EFFICACY</b>	79 lm/W, 80 lm/W, 87 lm/W, 105 lm/W	80 lm/W	69 lm/W
<b>COLOR QUALITY</b>	93 CRI <sup>1</sup> , 2-step SDCM	93 CRI <sup>1</sup> , 3-step SDCM	93 CRI <sup>1</sup> , 3-step SDCM
<b>BEAM SPREAD</b>	General Ambient (90°+), Narrow Spot (15°), Spot (25°), Flood (40°), Wide Flood (60°), Linear Spread (40° x 20°), Soft Focus	General Ambient (90°+), Spot (25°), Flood (40°), Wide Flood (60°), Linear Spread (40° x 20°), Soft Focus	General Ambient (90°+), Spot (25°), Flood (40°), Wide Flood (60°), Linear Spread (40° x 20°), Soft Focus
<b>DIMMING</b>	0-10V, TRIAC/ELV <sup>2</sup> , DALI-2 <sup>3</sup>	0-10V, TRIAC/ELV, DALI-2	DALI-2
<b>LED CHIP</b>	Cree	Bridgelux	Bridgelux
<b>LISTINGS</b>	ENERGY STAR <sup>®</sup> qualified <sup>4</sup> , California Title 24 2016-2022 JA8-E compliant, UL Listed for Wet Location <sup>5</sup> , UL Certified US-CA, Declare, RoHS compliant, NSF/ANSI 2 listed, suitable for splash-zone <sup>6</sup> , DALI-2 Compliant, Dark Sky Compliant <sup>7</sup> , Compliant to FCC Title 47 Part 15; Class B		

<sup>1</sup> Tested in accordance to IESNA LM-79-2008

<sup>2</sup> Dimming 120V only

<sup>3</sup> Only available in 1250lm (14.5W)

<sup>4</sup> Refer to ENERGY STAR Certified light fixtures database

<sup>5</sup> Flanged trims, under covered areas only

<sup>6</sup> This product is evaluated in accordance to NSF/ANSI 2 for Splash Zone having designated trim finishes

<sup>7</sup> DarkSky Approved is only applicable to CCT Options less than or equal to 3000K

## ADDITIONAL

**INPUT VOLTAGE:** 120/277V, 50/60Hz

**MAX INPUT CURRENT (120V):** 0.13 amps

**MAX INPUT CURRENT (277V):** 0.065 amps

**CONNECTOR:** PowerPlug<sup>®</sup> Luminaire Disconnect Model 182,  
6-pin Molex

**POWER FACTOR:** Greater than 0.9

**TOTAL HARMONIC DISTORTION:** Less than 20%

**AMBIENT OPERATING TEMPERATURE:** -20°C to 40°C

**WARRANTY:** 5 year limited warranty; 50,000 hours at 70%  
lumen maintenance

## MODULE PERFORMANCE

Based on 93 CRI, 3000K Module + STD White + Trim (M4TSSWH)  
 (Please refer to IES files for other trim types)

		STATIC CCT				WARM DIM	T1 TUNABLE WHITE	T2 TUNABLE WHITE
<b>LED CHIP</b>		CREE 93 CRI				Bridgelux 93 CRI		
<b>SDCM</b>		2-STEP				3-STEP		
<b>PN DESIGNATION</b>		<b>07</b>	<b>10</b>	<b>12</b>	<b>15</b>	<b>10</b>	<b>10</b>	<b>10</b>
<b>WATTAGE</b>		<b>9.5W</b>	<b>12.5W</b>	<b>14.3W</b>	<b>14.3W</b>	<b>12.5W</b>	<b>14.5W</b>	<b>14.5W</b>
<b>NS</b>	Lumens	602	824	931	1071	N/A		
	LPW <sup>1</sup>	63.3	65.9	65.1	74.9			
	CBCP <sup>2</sup>	3800	5205	5882	6467			
	UGR <sup>3</sup>	12.1	13.1	13.6	14.1			
<b>SP</b>	Lumens	556	761	860	989	677	792	872
	LPW	58.5	60.9	60.1	69	54.2	54.7	60.1
	CBCP	1438	1970	2226	2561	1753	1569	1725
	UGR	12	13.1	13.5	14	12.7	15.8	16.1
<b>FL</b>	Lumens	531	728	822	945	647	777.7	855
	LPW	55.9	58.2	57.5	66	51.8	53.6	59
	CBCP	712	976	1103	1269	869	893	982
	UGR	14.3	15.4	15.9	16.3	15	16	16.4
<b>WF</b>	Lumens	585	802	906	1042	713	758	834
	LPW	61.6	64.1	63.3	72.9	57.1	52.3	57.5
	CBCP	612	839	948	1090	746	795	875
	UGR	15.4	16.5	17.0	17.4	16.1	16.5	16.8
<b>GA</b>	Lumens	567	900	1017	1170	801	920	1012
	LPW	69.2	72	71.1	81.8	64.1	63.5	69.8
	CBCP	314	431	487	560	383	529	582
	UGR	20.5	21.6	22.0	22.5	21.2	20.1	20.4

<b>CCT MULTIPLIER</b>	STATIC				WARM DIM		T1 TUNABLE WHITE			T2 TUNABLE WHITE		
	2700K	3000K	3500K	4000K	1800K	3000K	1800K	3000K	4000K	2700K	3000K	6500K
	0.93	1	1.05	1.07	0.05	1	0.73	1	1.12	0.96	1	1.07

<b>EMERGENCY BATTERY MULTIPLIER</b>	LPW x 5
-------------------------------------	---------

<sup>1</sup> LPW: Lumen per watt  
<sup>2</sup> CBCP: Center beam candlepower  
<sup>3</sup> UGR: Unified glare ratio (0.7/0.5/0.2, 4H/8H)

## HOUSING

# M Series

New Construction

### SUMMARY

**JUNCTION BOX:** Equipped with 12 knockouts: four 1/2" trade size knockouts on side, two 3/4" and two 1/2" trade size knockouts on top and four romex knockouts on top. Approved for 8 (four in, four out) #12 AWG 70°C.

**MOUNTING:** Adjustable bar hangers for 10-24" joist spacing. Compatible with traditional joists, Armstrong™, Hat Channel, and T-Bar:

Standard/Low Profile/Alt Dimming Version: 10" - 24"

Emergency Version: 13" - 24"

**CEILING:** Pre-installed mounting brackets allow vertical adjustment of bar hangers up to 1 1/4"

Standard Version (Deep): 1/2" to 1 3/4"

Low Profile/Emergency Version: 1/2" to 1 1/4"

Super Shallow: 1/2" - 1 1/2" (*Coming Soon*)

**CUTOUT:** 4" (102mm) square opening

**LISTINGS:** Metallic outlet box certified UL514A, code compliant for use in appropriate fire-rated assemblies for up to 2-hours (Fire Rated only), STC/IIC Sound Rated, ASTM E283 certified Air Tight, IC (Insulation Contact) Rated, Compliant to FCC Title 47 Part 15; Class B

**WARRANTY:** 5 year limited warranty



### ALTERNATE DIMMING SPECIFICATIONS

**INPUT VOLTAGE:** 120/277V, 50/60Hz

**MAX INPUT CURRENT (120V):** 0.090 amps, 0.107 amps

**MAX INPUT CURRENT (277V):** 0.042 amps, 0.050 amps

**POWER FACTOR:** Greater than 0.9

**TOTAL HARMONIC DISTORTION:** Less than 20%

### EMERGENCY BATTERY SPECIFICATIONS

**ILLUMINATION TIME:** 90min

**WATTAGE IN EM STATE:** 5W

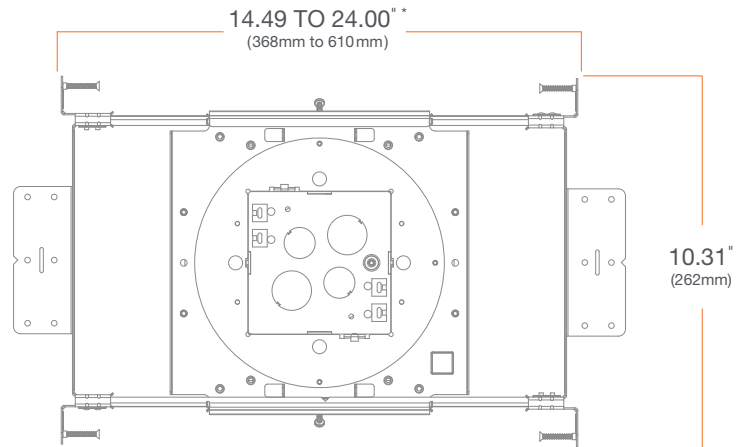
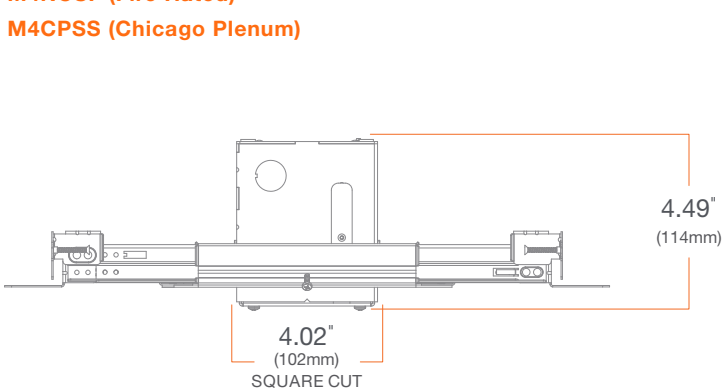
**LUMEN OUTPUT IN EM STATE:** LPW x 5

#### TEST SWITCH OPTIONS:

- **INTEGRATED TEST SWITCH (-EM HOUSING):**  
Requires Compatible trim available in flanged, standard style only (M4TSSxxEM)
- **REMOTE TEST SWITCH(-ES HOUSING):**  
Must be installed according to local code can be used with any flanged, flangeless, or decorative trim type

**New Construction**

- M4NCSS (Standard)
- M4NCSF (Fire Rated)
- M4CPSS (Chicago Plenum)

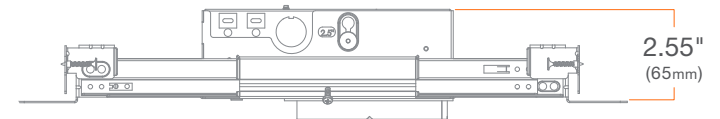
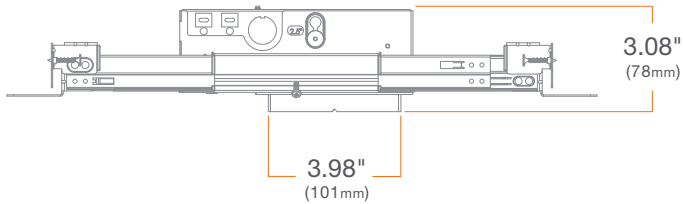


\* Can be field cut to minimum 10" (254mm) for a range of 10" (254mm) - 24" (610mm)

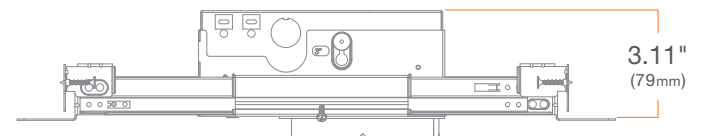
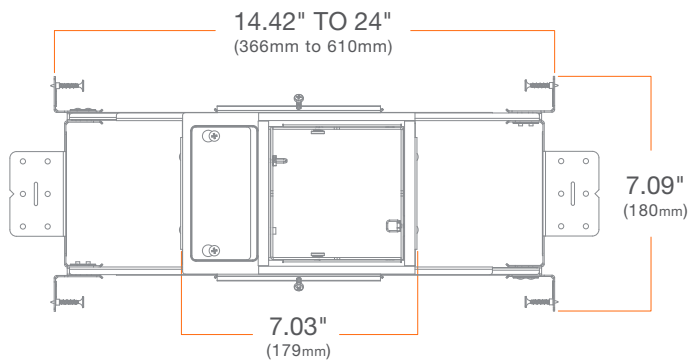
**Super Shallow**

- M4NSSS

- M4NSSS + Standard TRIAC/ELV or 0-10V Dimming  
(No Expansion Feature Required)

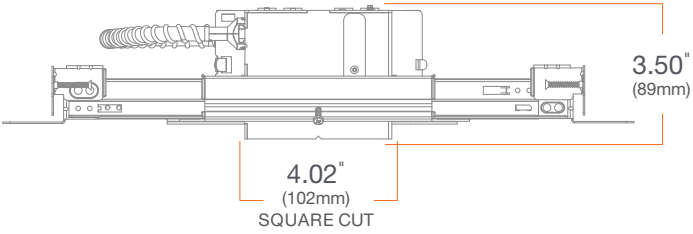


- M4NSSS + DALI-2 Dimming Modules  
(Require Expansion Feature Outlined below)



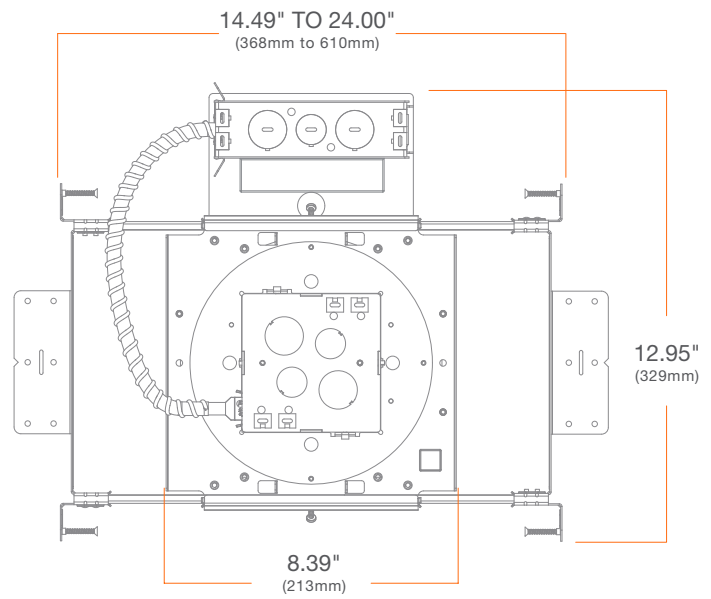
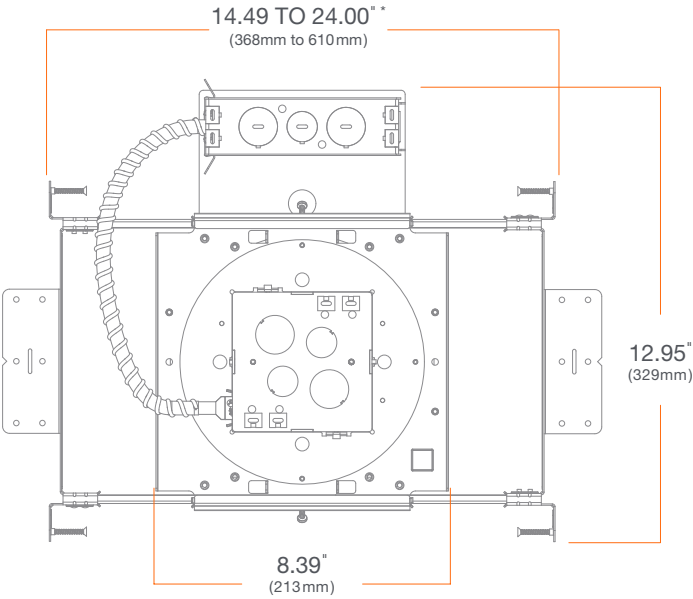
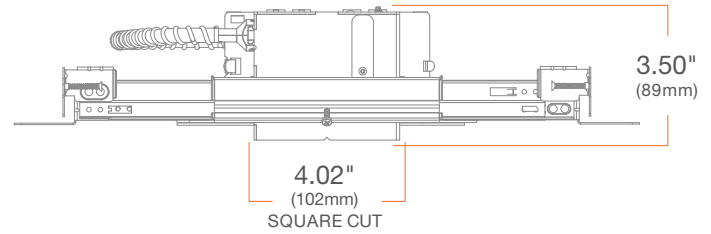
**Low-Profile**

- M4LTSS (Standard, TRIAC/ELV)
- M4LTSF (Fire Rated, TRIAC/ELV)
- M4LOSS (Standard, 0-10V)
- M4LOSF (Fire Rated, 0-10V)



**Athena Wireless Node**

- M4NCSSxxxxxAWNR (Standard)
- M4NCFSxxxxxAWNR (Fire Rated)

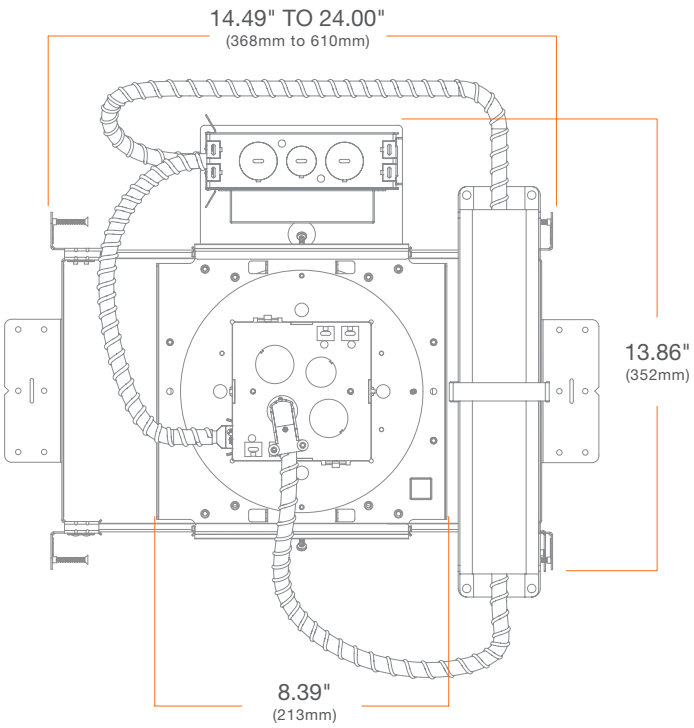
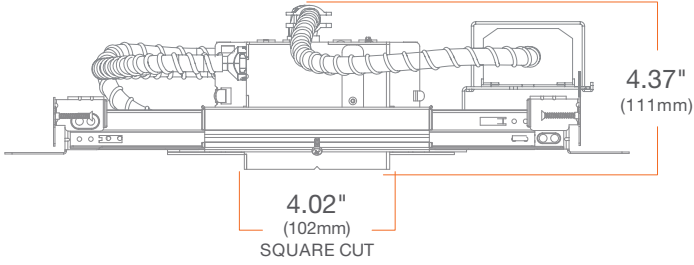


\*Can be field cut to minimum 10" (254mm) for a range of 10" (254mm) - 24" (610mm)

**Emergency Lighting**

**M4NCSSxxxEM (Standard)**

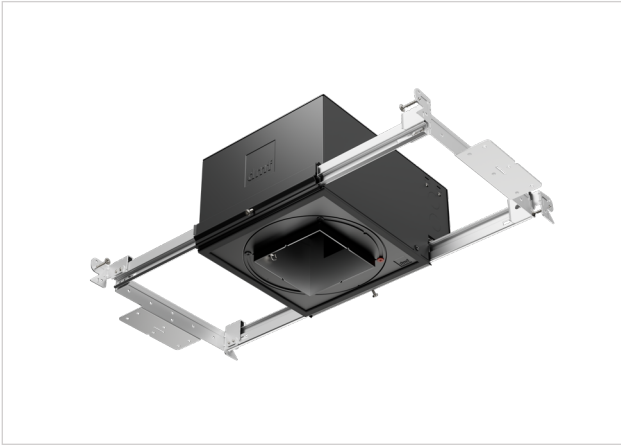
**M4NCSFxxxEM (Fire Rated)**



\* Can be field cut to minimum 10" (254mm) for a range of 10" (254mm)-24" (610mm)

\*\* Can be field cut to minimum 13" (330mm) for a range of 13" (330mm) - 24" (610mm)

## HOUSING



## M Series

Spray Foam

**M4SFSS**

### SUMMARY

**JUNCTION BOX:** Equipped with six knockouts: four 1/2" trade size knockouts, two 3/4" trade size knockouts, and four romex knockouts. Approved for 8 (four in, four out) #12 AWG 70° C

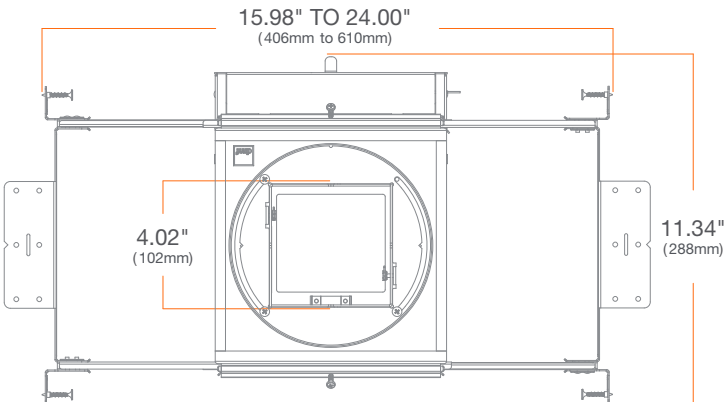
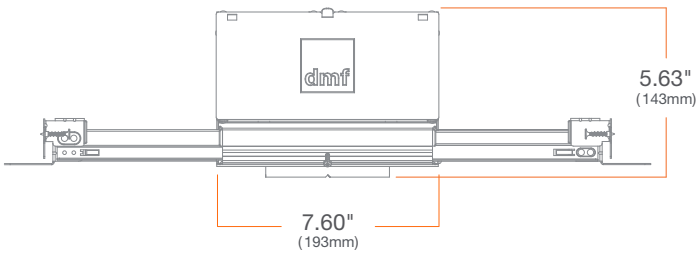
**MOUNTING:** Adjustable Bar Hanger for 16" to 24" joist spacing. Compatible with traditional joists, Armstrong™ ceiling, Hat Channel and T-bar

**CEILING:** Center Collar allows for vertical adjustment to accommodate from 1/2" to 2" thickness

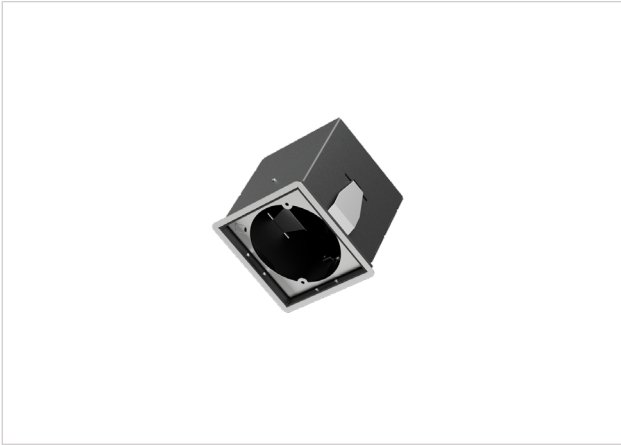
**CUTOUT:** 4" (102mm) square opening

**LISTINGS:** ASTM E283 certified Air Tight, IC (Insulation Contact) up to R-32 for Roll, Batt, and Loose Fill, up to R-60 Spray Foam with standard trims, up to R-32 Spray Foam with other trims

**WARRANTY:** 5 year limited warranty



**HOUSING**



**M Series**

Remodel

**M4RMSS (Standard)**

**M4RMSF (Fire Rated)**

**SUMMARY**

**JUNCTION BOX:** Equipped with 8 knockouts: four 1/2" trade size knockouts on side, two 3/4" and two 1/2" trade size knockouts on top and four romex knockouts on top. Approved for 8 (four in, four out) #12 AWG 70°C.

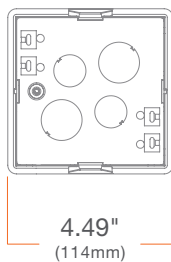
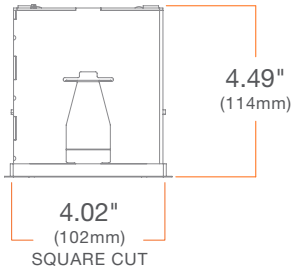
**MOUNTING:** Pre-installed mounting spring clips

**CEILING:** 5/8" up to 1 1/4"

**CUTOUT:** 4" (102mm) square opening

**LISTINGS:** Metallic outlet box certified UL514A, code compliant for use in appropriate fire-rated assemblies for up to 2-hours (Fire Rated only), STC/IIC Sound Rated, ASTM E283 certified Air Tight, IC (Insulation Contact) Rated

**WARRANTY:** 5 year limited warranty



**TRIMS**



**M Series**

4" Square Trims

**M4TS**

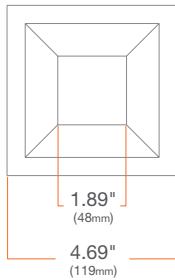
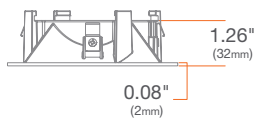
SUMMARY

**CONSTRUCTION:** Die-cast aluminum

**INSTALLATION:** Twist & Lock

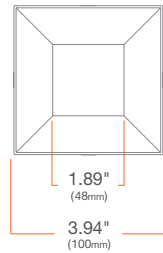
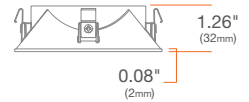
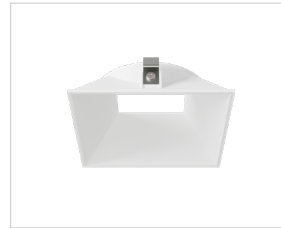
**Standard**

**M4TSSWH**



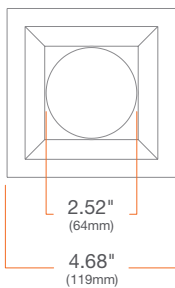
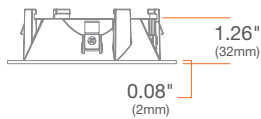
**Standard Flangeless**

**M4TSSWHFL**



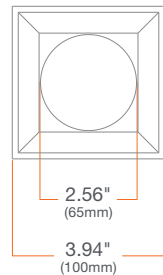
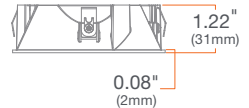
**Round On Square**

**M4TSQWH**



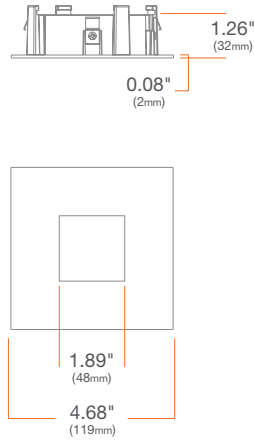
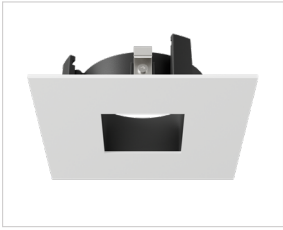
**Round On Square Flangeless**

**M4TSQWHFL**



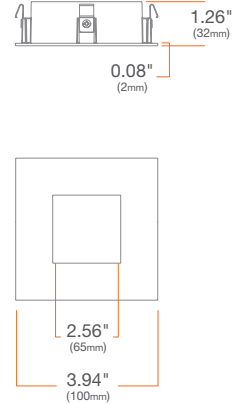
**Pinhole**

**M4TSPWH**



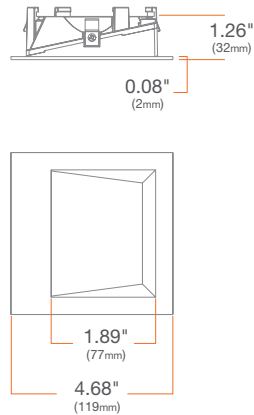
**Pinhole Flangeless**

**M4TSPWHFL**



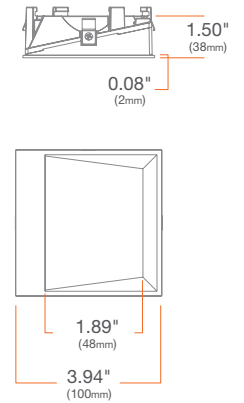
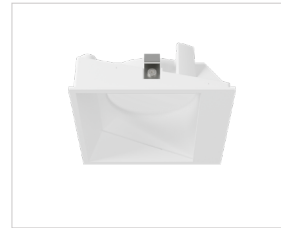
**Wall Wash/Sloped Ceiling**

Round: **M4TSLWH**



**Wall Wash/Sloped Ceiling Flangeless**

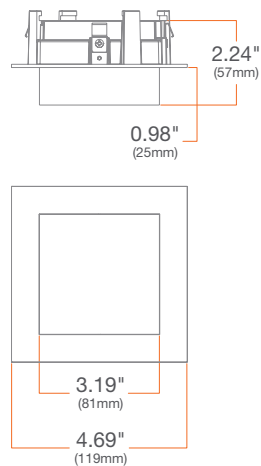
**M4TSLWHFL**



**Decorative Closed**

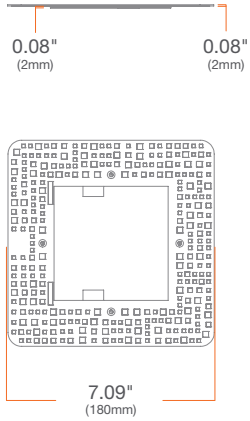
Frosted: **M4TSSWHDCF**

Clear, Frosted Sides: **M4TSSWHDCCF**



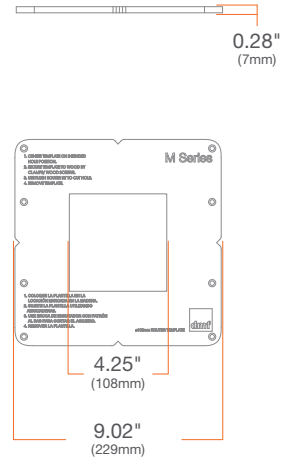
## Flangeless Mud Plate

### M4XSMUD



## Router Template

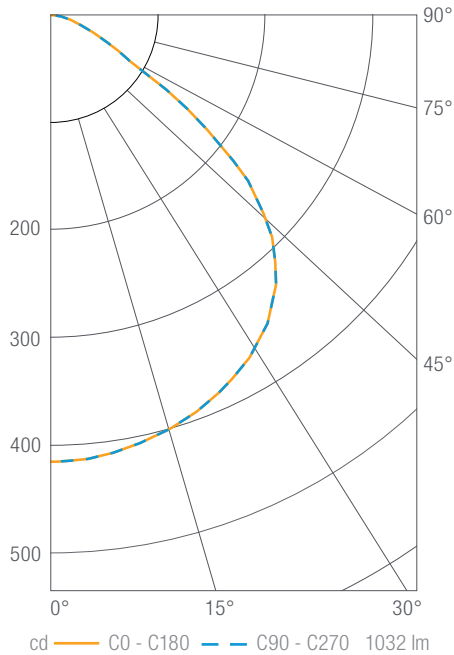
### M4KSTEMPLATE



PHOTOMETRY

**DRD2** 1000 lm, 3000K, General Ambient

DRD2M10930GA



Luminous Intensity

Gamma	C 0°
0°	416
5°	415
10°	410
15°	403
20°	394
25°	382
30°	369
35°	351
40°	327
45°	291
50°	240
55°	162
60°	84
65°	54
70°	33
75°	21
80°	12
85°	6
90°	1

Values in candela

Zonal Lumen Summary

Zone	Lumens	Luminaire %
0-30	333	32
0-40	557	54
0-60	942	91
0-90	1024	99
0-180	1032	100

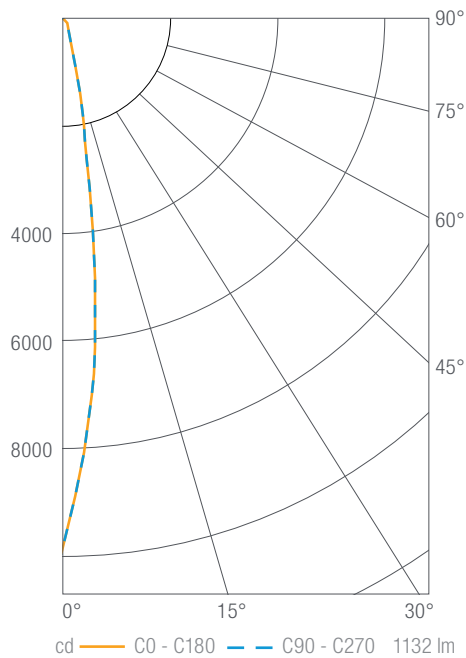
Illuminance Chart

Distance from LED	Foot Candles	Diameter
3'	46	7.8'
6'	12	15.5'
9'	5	23.3'
12'	3	31.1'

Beam Angle: 100°

**DRD2** 1000 lm, 3000K, Narrow Spot

DRD2M10930NS



Luminous Intensity

Gamma	C 0°
0°	9823
5°	6600
10°	2335
15°	734
20°	357
25°	244
30°	195
35°	159
40°	116
45°	85
50°	61
55°	42
60°	28
65°	16
70°	7
75°	4
80°	2
85°	1
90°	0

Zonal Lumen Summary

Zone	Lumens	Luminaire %
0-30	906	80
0-40	1004	89
0-60	1110	98
0-90	1131	100
0-180	1132	100

Illuminance Chart

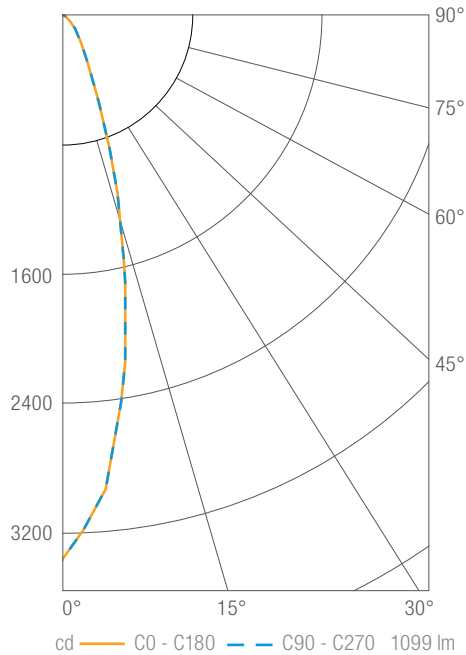
Distance from LED	Foot Candles	Diameter
3'	1091	0.7'
6'	273	1.5'
9'	121	2.2'
12'	68	2.9'

Beam Angle: 14°

## PHOTOMETRY

### DRD2 1000 lm, 3000K, Spot

DRD2M10930SP



#### Luminous Intensity

Gamma	C 0°
0°	3366
5°	2967
10°	2203
15°	1391
20°	775
25°	419
30°	248
35°	167
40°	119
45°	87
50°	62
55°	43
60°	26
65°	15
70°	7
75°	4
80°	2
85°	1
90°	0

Values in candela

#### Zonal Lumen Summary

Zone	Lumens	Luminaire %
0-30	862	78
0-40	971	88
0-60	1078	98
0-90	1098	100
0-180	1099	100

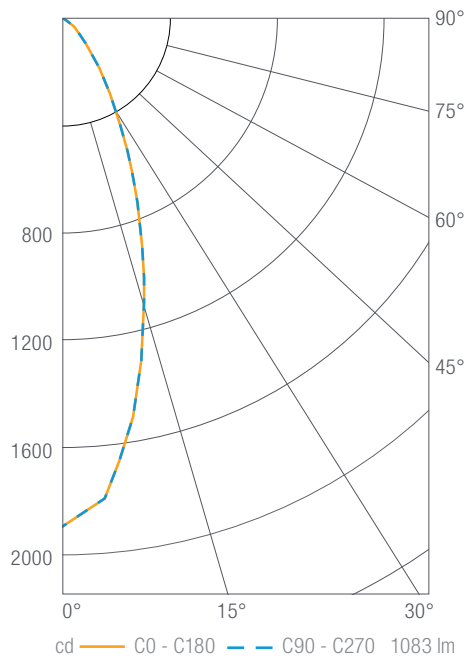
#### Illuminance Chart

Distance from LED	Foot Candles	Diameter
3'	374	1.4'
6'	93	2.8'
9'	42	4.2'
12'	23	5.6'

Beam Angle: 26°

### DRD2 1000 lm, 3000K, Flood

DRD2M10930FL



#### Luminous Intensity

Gamma	C 0°
0°	1890
5°	1792
10°	1503
15°	1161
20°	849
25°	589
30°	391
35°	256
40°	162
45°	107
50°	74
55°	51
60°	30
65°	18
70°	8
75°	5
80°	3
85°	1
90°	0

Values in candela

#### Zonal Lumen Summary

Zone	Lumens	Luminaire %
0-30	760	70
0-40	925	85
0-60	1058	98
0-90	1081	100
0-180	1083	100

#### Illuminance Chart

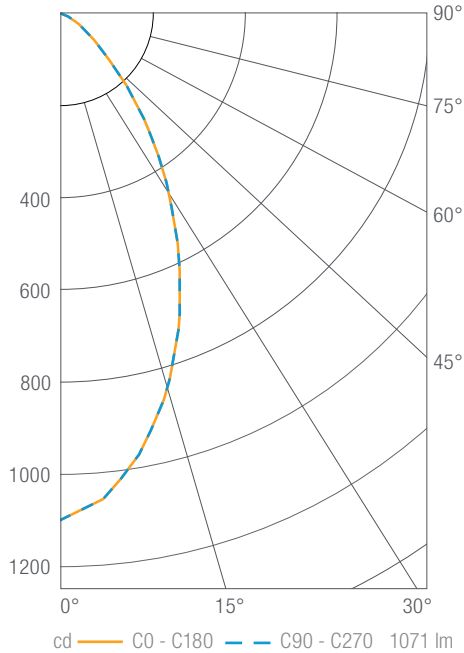
Distance from LED	Foot Candles	Diameter
3'	210	2.0'
6'	52	4.0'
9'	23	6.0'
12'	13	8.0'

Beam Angle: 37°

**PHOTOMETRY**

**DRD2** 1000 lm, 3000K, Wide Flood

**DRD2M10930WF**



Luminous Intensity

Gamma	C 0°
0°	1100
5°	1058
10°	973
15°	866
20°	743
25°	609
30°	478
35°	361
40°	252
45°	161
50°	102
55°	68
60°	41
65°	24
70°	11
75°	6
80°	4
85°	2
90°	0

Values in candela

Zonal Lumen Summary

Zone	Lumens	Luminaire %
0-30	620	58
0-40	845	79
0-60	1037	97
0-90	1069	100
0-180	1071	100

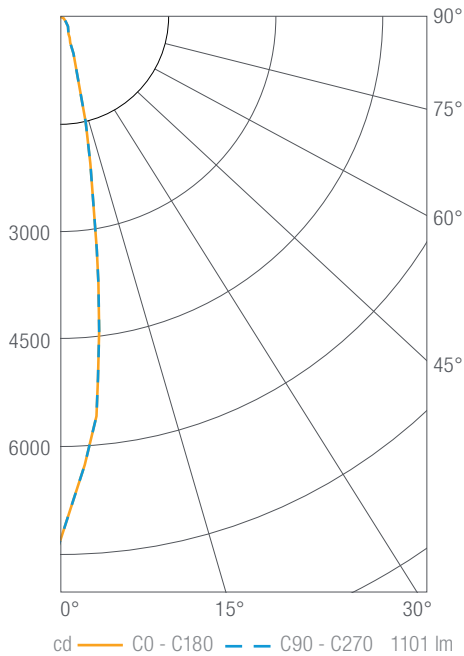
Illuminance Chart

Distance from LED	Foot Candles	Diameter
3'	122	3.1'
6'	31	6.2'
9'	14	9.3'
12'	8	12.3'

Beam Angle: 55°

**DRD2** 1000 lm, 3000K, Soft Focus

**DRD2M10930SF**



Luminous Intensity

Gamma	C 0°
0°	7280
5°	5603
10°	2489
15°	875
20°	381
25°	247
30°	194
35°	161
40°	122
45°	90
50°	64
55°	45
60°	28
65°	16
70°	7
75°	4
80°	2
85°	1
90°	0

Values in candela

Zonal Lumen Summary

Zone	Lumens	Luminaire %
0-30	868	79
0-40	968	88
0-60	1078	98
0-90	1100	100
0-180	1101	100

Illuminance Chart

Distance from LED	Foot Candles	Diameter
3'	809	0.9'
6'	202	1.7'
9'	90	2.6'
12'	51	3.4'

Beam Angle: 16°