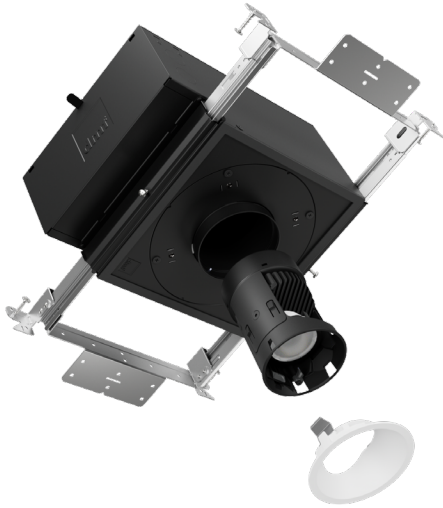


Project:	Type:
Product Code:	Date:

V122425



## 2" Round Adjustable

**2" Adjustable** delivers high quality light with field changeable optics

**Precision Lock Collar** eliminates overcutting and ensures flush installation

**Architectural Trims** are wet painted for a rich, matte finish

**Embedded Drivers** provide smooth dimming, ease of installation and serviceability

### INSTALLATION

#### Ceiling Thickness

New Construction: 1/2" up to 1 1/4"

Remodel: 1/2" up to 1 1/4"

#### Ceiling Material

Drywall, Millwork, Acoustic Ceiling Tiles

### TRIMS

#### Style

Standard Micro Flange, Flangeless, Pinhole

#### Finish

White, Black, Bronze, Clear Diffuse, Custom Color (RAL Colors)

#### Premium Metalized Finish

Brass, Copper, Graphite

### SPECIALTY LENS

Hexcell Louver

### MAINTENANCE

The driver and LED chip are embedded within the module for fully touch safe replacement from below the ceiling. All field splices are also readily accessible at the ceiling plane.

### LIGHT OUTPUT & DISTRIBUTION

#### Module

Adjustable

#### Adjustment

360° directional aim, 35° tilt

#### Lumens (Power)

500 lm (9.5W), 750 lm (9.5W), 1000 lm (12.5W)

#### Color Quality

93 CRI, 2-step SDCM

#### Color Temperature

- 2400K
- 2700K
- 3000K
- 3500K
- 4000K
- Warm Dim (3000K–1800K)
- Tunable White (4000K–1800K)
- Tunable White (6500K–2700K)

#### Beam Spread

- Ultra Narrow Spot (10°)
- Narrow Spot (20°)
- Spot (30°)
- Flood (40°)
- Wide Flood (50°)
- Linear Spread (50° x 30°)

### POWER & CONTROLS

#### Input Voltage

120 / 277V

#### Dimming

0-10V (1%), TRIAC/ELV (1%), DALI-2 (0.1%)  
Lutron Athena Node (1%) *(coming soon)*

### RATINGS & CERTIFICATIONS

- IC Insulation Contact Rated <sup>1</sup>
- ASTM E283 Certified Air Tight
- Chicago Plenum
- UL Listed for Damp Location <sup>2</sup>
- RoHS Compliant
- DarkSky Approved <sup>3</sup>

<sup>1</sup> New Construction only; IC for Roll, Batt, Loose Fill and Spray Foam

<sup>2</sup> Under Covered Areas Only

<sup>3</sup> CCT less than or equal to 3000K

### WARRANTY

5 year limited warranty; 50,000 hours





DMF LightSpeed

Our Quickest Shipping Selections are Highlighted for shipping in 2 days or less  
All other items qty 100 or less ship in 5 days or less (custom color & premium metalized finishes excluded)

X Series

2" Round Adjustable

## PRODUCT BUILDER

### HOUSING

EXAMPLE: X2NCR

PRODUCT CODE		INSTALLATION		SHAPE		WIRELESS	
X2				R			
X2	2" Housing	NC	New Construction	R	Round	[Blank]	None
		CP	Chicago Plenum			AWN	Lutron AWN <sup>3</sup>
		RM	Remodel (TRIAC/ELV, 0-10V) <sup>1</sup>				
		RD	Remodel, Digital Modules (DALI-2) <sup>2</sup>				

<sup>1</sup> Non-IC installation only; Flanged and Micro Flanged Trims only; Not available with DALI-2 dimming

<sup>2</sup> Non-IC installation only; Flanged and Micro Flanged Trims only. Only compatible with DALI-2 dimming

<sup>3</sup> Only compatible with 0-10V Dimming, NC housings; Not compatible with Remodel

### MODULE

EXAMPLE: XMA07924FLO

PRODUCT CODE		LUMENS		CRI	CCT <sup>5</sup>		BEAM SPREAD		DIMMING		
XMA				9							
XMA	Adjustable	05	500 lm <sup>4</sup>	9	93 CRI	24	2400K <sup>6</sup>	UN	Ultra Narrow Spot (10°) <sup>9</sup>	O	0-10V
		07	750 lm			27	2700K	NS	Narrow Spot (20°)	T	TRIAC/ELV
		10	1000 lm			30	3000K	SP	Spot (30°)	D	DALI-2 <sup>11</sup>
						35	3500K	FL	Flood (40°)		
						40	4000K	WF	Wide Flood (50°)		
						3W	Warm Dim (3000K-1800K) <sup>7</sup>	LS	Linear Spread (50° x 30°)		
						T1	Tunable White (4000K-1800K) <sup>8</sup>	UH	Ultra Narrow Spot Hexcell Louver <sup>9</sup>		
						T2	Tunable White (6500K-2700K) <sup>8</sup>	NH	Narrow Spot Hexcell Louver <sup>10</sup>		
								SH	Spot Hexcell Louver <sup>10</sup>		
								FH	Flood Hexcell Louver <sup>10</sup>		
								WH	Wide Flood Hexcell Louver <sup>10</sup>		

<sup>4</sup> Only available with Ultra Narrow Spot or Ultra Narrow Spot Hexcell Louver beam spread, 27K, 30K, 35K, or 40K

<sup>5</sup> DarkSky approved is only applicable to CCT options less than or equal to 3000K

<sup>6</sup> Not available in 500lm

<sup>7</sup> Only available in 1000 lm; Not available in Narrow Spot beam spread

<sup>8</sup> Only available in 750 lm; DALI-2 dimming; Not available with Narrow Spot Beam Spread. Not compatible with AWN option.

<sup>9</sup> Only available in 500 lm; Not available as an optical accessory

<sup>10</sup> Not available for DALI-2 modules

<sup>11</sup> Only available in 750 lm with Tunable White CCT, 1000 lm Warm Dim or 1000 lm with static CCT. Not compatible with AWN option.

### TRIM

EXAMPLE: X2TRASWHMF

PRODUCT CODE		FINISH		OPTION	
X2TRAS	2" Standard Trim <sup>12</sup>	WH	White ●	[Blank]	Flanged (Pinhole Only)
X2TRAP	2" Pinhole Trim <sup>13</sup>	BK	Black ●	MF	Micro Flange
		BZ	Bronze ●	FL	Flangeless <sup>15</sup>
		CW	Clear Diffuse, White Flange ●		
		CC	Custom Color (RAL Colors) ●		
PREMIUM METALIZED FINISH (10 WEEK LEAD TIME)					
		BR	Brass <sup>14</sup> ●		
		CO	Copper <sup>14</sup> ●		
		GR	Graphite <sup>14</sup> ●		

<sup>12</sup> Not available in [Blank] Flanged option

<sup>13</sup> Not available in Bronze, Clear Diffuse, and Premium Metalized finishes; Only available in [Blank] Flanged or Flangeless option

<sup>14</sup> Only available in Standard style with Micro Flange or Flangeless option

<sup>15</sup> Not available in Clear Diffuse; Requires Flangeless Mud or Wood Kit in New Construction housings; Not compatible with Remodel housing

**DMF LightSpeed**

Our Quickest Shipping Selections are Highlighted for shipping in **2 days or less**  
*All other items qty 100 or less ship in 5 days or less (custom color & premium metalized finishes excluded)*

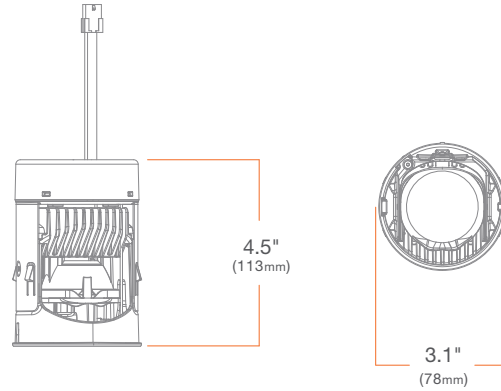
**X Series****2" Round Adjustable****PRODUCT BUILDER****ACCESSORIES**

<b>X2KRMUD</b>	Flangeless Mud Kit <i>(Required for New Construction installation of Flangeless Trim in drywall ceiling)</i>
<b>X2KRWOOD</b>	Wood Kit <i>(Required for New Construction installation of all trims in wood ceiling)</i>
<b>X2KRTEMPLATE</b>	Router Template <i>(Recommended for routing 3 3/16" [81mm] cutout in wood ceiling)</i>

**LOOSE OPTICS**

<b>XAXNS</b>	Narrow Spot (20°) Optic
<b>XAXSP</b>	Spot (30°) Optic
<b>XAXFL</b>	Flood (40°) Optic
<b>XAXWF</b>	Wide Flood (50°) Optic
<b>XAXLS</b>	Linear Spread (50°x30°) Optic
<b>XAXOP</b>	Bundled Adjustable Optics Kit <i>(Includes Narrow Spot, Spot, Flood, Wide Flood and Linear Spread)</i>
<b>XAXNH</b>	Narrow Spot Optic with Hexcell Louver
<b>XAXSH</b>	Spot Optic with Hexcell Louver
<b>XAXFH</b>	Flood Optic with Hexcell Louver
<b>XAXWH</b>	Wide Flood Optic with Hexcell Louver
<b>XAXHD</b>	High Diffusion Front Lens <i>(Can be paired with all beam spreads to provide extra diffusion; Only available as an optical accessory)</i>
<b>XAXCL</b>	Clear Front Lens <i>(Can be paired with all beam spreads to decrease diffusion and define edges; Only available as an optical accessory)</i>

## MODULE



### PERFORMANCE SUMMARY

	STATIC CCT	WARM DIM	TUNABLE WHITE
<b>CCT</b>	2400K, 2700K, 3000K, 3500K, 4000K	3000K - 1800K	4000K - 1800K; 6500K - 2700K
<b>LUMENS (POWER)</b>	500 lm (9.5W), 750 lm (9.5W), 1000 lm (12.5W)	1000 lm (12.5W)	750 lm (12.5W)
<b>EFFICACY</b>	53 lm /W, 79 lm/W, 80 lm/W	80 lm/W	60 lm/W
<b>COLOR QUALITY</b>	93 CRI <sup>1</sup> , 2-step SDCM	93 CRI <sup>1</sup> , 3-step SDCM	93 CRI <sup>1</sup> , 3-step SDCM
<b>BEAM SPREAD</b>	Ultra Narrow Spot (10°), Narrow Spot (20°), Spot (30°), Flood (40°), Wide Flood (50°), Linear Spread (50°x30°)	Spot (30°), Flood (40°), Wide Flood (50°), Linear Spread (50°x30°)	Spot (30°), Flood (40°), Wide Flood (50°), Linear Spread (50°x30°)
<b>DIMMING</b>	0-10V, TRIAC/ELV, DALI-2 <sup>2</sup>	0-10V, TRIAC/ELV, DALI-2	DALI-2
<b>LED CHIP</b>	Bridgelux (2400K), Cree (All other CCT)	Bridgelux	Bridgelux
<b>LISTINGS</b>	ENERGY STAR <sup>®</sup> qualified <sup>3</sup> , California Title 24 2019–2022 JA8-E Compliant, UL Listed for Damp Location <sup>4</sup> , UL Certified US-CA, Declare, RoHS compliant, Shatter-resistant construction, DALI-2 Compliant, Dark Sky Approved <sup>5</sup> , Compliant with FCC CFR Title 47 Part 15; Class B		
<b>ADJUSTMENT</b>	360° directional aim, 35° tilt		
<b>SLOPE CEILING COMPATIBILITY</b>	Up to 35°		

<sup>1</sup> Tested in accordance to IESNA LM-79-2008

<sup>2</sup> Available in 1000lm Only (12.5W)

<sup>3</sup> Refer to ENERGY STAR Certified light fixtures database

<sup>4</sup> Under covered areas only

<sup>5</sup> Only applicable to CCT options less than or equal to 3000K

### ADDITIONAL

**INPUT VOLTAGE:** 120/277V, 50/60Hz

**MAX INPUT CURRENT (120V):** 0.11 amps

**MAX INPUT CURRENT (277V):** 0.05 amps

**CONNECTOR:** 6-pin Molex

**POWER FACTOR:** Greater than 0.9

**TOTAL HARMONIC DISTORTION:** Less than 20%

**AMBIENT OPERATING TEMPERATURE:** -20°C to 40°C

**WARRANTY:** 5 year limited warranty; 50,000 hours at 70% lumen maintenance

## MODULE PERFORMANCE

Based on 93 CRI, 3000K Module + Standard Micro Flange Trim, White (X2TRASWHMF)

(Please refer to IES files for other trim types)

		STATIC CCT			WARM DIM	T1	T2
<b>LED CHIP</b>		Bridgelux (2400K), Cree (All other CCT)			Bridgelux 93 CRI		
<b>SDCM</b>		2-STEP			3-STEP		
<b>PN DESIGNATION</b>		<b>05</b>	<b>07</b>	<b>10</b>	<b>10</b>	<b>07</b>	<b>07</b>
<b>WATTAGE</b>		<b>9.5W</b>	<b>9.5W</b>	<b>12.5W</b>	<b>12.5W</b>	<b>12.5W</b>	<b>12.5W</b>
<b>UN</b>	Lumens	565	N/A		N/A		
	LPW <sup>1</sup>	59.5					
	CBCP <sup>2</sup>	6217					
	UGR <sup>3</sup>	10.1					
<b>NS</b>	Lumens	N/A	756	995	N/A		
	LPW		79.6	79.6			
	CBCP		3631	4778			
	UGR		10.5	11.4			
<b>SP</b>	Lumens	N/A	736	968	832	540	534
	LPW		77.5	77.4	66.6	43.2	42.7
	CBCP		2560	3368	2897	1879	1858
	UGR		11.4	12.4	11.9	10.4	8.9
<b>FL</b>	Lumens	N/A	743	978	841	546	540
	LPW		78.2	78.2	67.3	43.7	43.2
	CBCP		1564	2058	1770	1148	1136
	UGR		11.8	12.7	12.2	10.7	9.4
<b>WF</b>	Lumens	N/A	742	976	839	545	539
	LPW		78.1	78.1	67.1	43.6	43.1
	CBCP		1008	1326	1140	740	732
	UGR		14.1	15.1	14.6	12.8	11.6
<b>LS</b>	Lumens	N/A	708	931	801	519	514
	LPW		74.5	74.5	64.1	41.5	41.1
	CBCP		1436	1889	1624	1054	1024
	UGR		12.7	13.6	13.1	10.2	11.5

<b>CCT MULTIPLIER</b>	STATIC					WARM DIM		T1 TUNABLE WHITE			T2 TUNABLE WHITE		
	2400K	2700K	3000K	3500K	4000K	1800K	3000K	1800K	3000K	4000K	2700K	3000K	6500K
	0.9	0.93	1	1.05	1.07	0.05	1	0.7	1	1.12	0.96	1	1.07

**HEXCELL LOUVER MULTIPLIER**

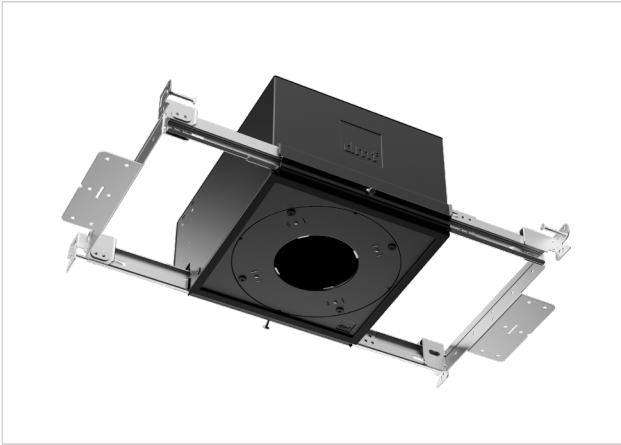
0.6

<sup>1</sup> LPW: Lumens per watt

<sup>2</sup> CBCP: Center beam candlepower

<sup>3</sup> UGR: Unified glare ratio (0.7/0.5/0.2, 4H/8H)

## HOUSING



### New Construction **X2NCR** Chicago Plenum **X2CPR**

#### SUMMARY

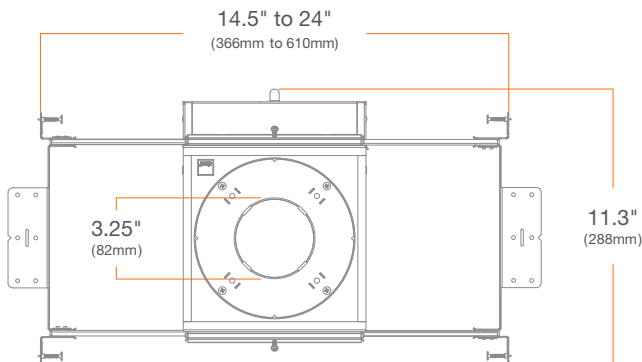
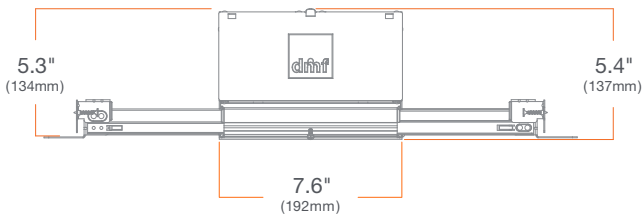
**JUNCTION BOX:** Equipped with 10 knockouts: four 1/2" trade size knockouts, two 3/4" trade size knockouts, and four romex knockouts. Approved for 8 (four in, four out) #12 AWG 70°C.

**BAR HANGER MOUNTING:** Adjustable Bar Hangers for 14 1/2" to 24" joist spacing, when bar hangers are broken down, up to 10.5" of joist spacing. Compatible with traditional joists, Armstrong™ ceiling, Hat Channel and T-Bar. Vertical adjustment (1/2"-1 1/4") through installation of the round collar.

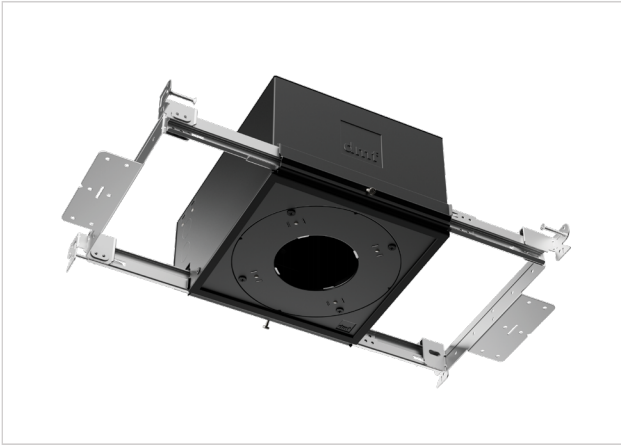
**CEILING:** Collar allows for vertical adjustment from 1/2" up to 1 1/4" in the ceiling.

**CUTOUT:** 3 1/4" (82mm) round opening

**LISTINGS:** Chicago Plenum, ASTM E283 certified Air Tight, IC (Insulation Contact) up to R-32 for Roll, Batt, and Loose Fill, up to R-60 Spray Foam with standard trims, up to R-32 Spray Foam with other trims or hexcell louver, Suitable for Use in Air-Handling Space - Complies with UL2043



### HOUSING



### Athena Wireless Node

**X2NCRAWN**

#### SUMMARY

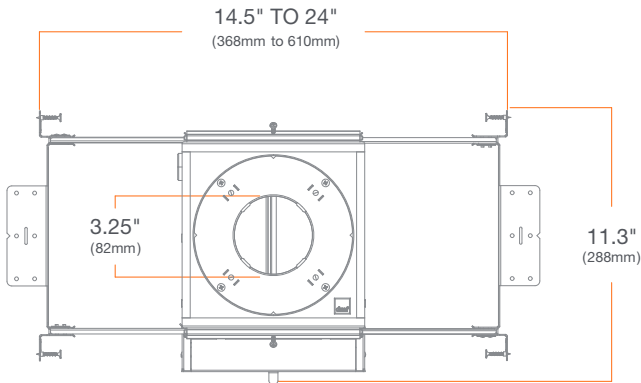
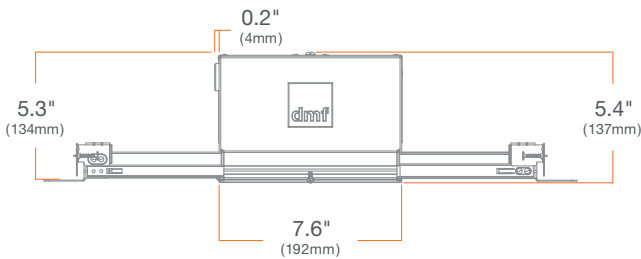
**JUNCTION BOX:** Equipped with 10 knockouts: four 1/2" trade size knockouts, two 3/4" trade size knockouts, and four romex knockouts. Approved for 8 (four in, four out) #12 AWG 70°C.

**BAR HANGER MOUNTING:** Adjustable Bar Hangers for 14 1/2" to 24" joist spacing, when bar hangers are broken down, up to 10.5" of joist spacing. Compatible with traditional joists, Armstrong™ ceiling, Hat Channel and T-Bar. Vertical adjustment (1/2"-1 1/4") through installation of the round collar.

**CEILING:** Collar allows for vertical adjustment from 1/2" up to 1 1/4" in the ceiling.

**CUTOUT:** 3 1/4" (82mm) round opening

**LISTINGS:** ASTM E283 certified Air Tight, IC (Insulation Contact) up to R-32 for Roll, Batt, and Loose Fill, up to R-60



**HOUSING**



**Remodel (TRIAC/ELV, 0-10V)**

**X2RMR**

**SUMMARY**

**JUNCTION BOX:** Equipped with four knockouts: two 1/2" trade size knockouts and two romex knockouts. Approved for 8 (four in, four out) #12 AWG 70°C.

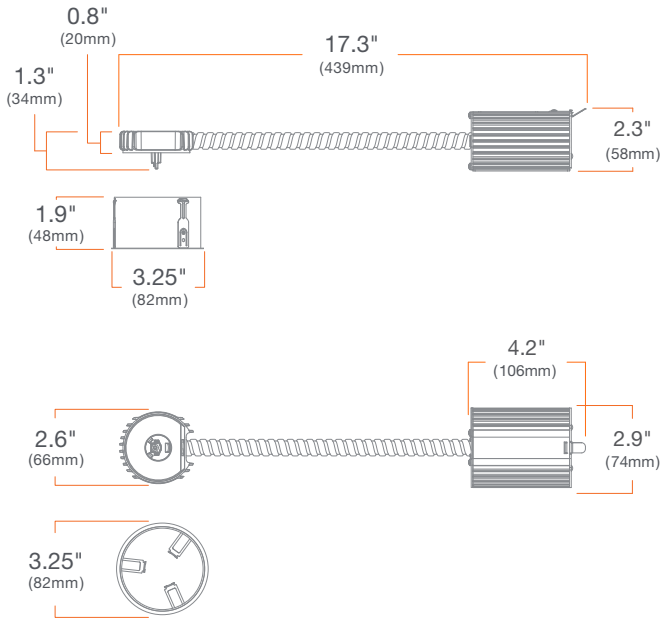
**CEILING:**

- Drywall: 1/2" - 1 1/4" (12mm-32mm)
- Wood Ceiling: 1/2" - 1" (12mm-25mm)
- Acoustic Ceiling Tiles: 5/8" - 1 1/4" (16mm-32mm)

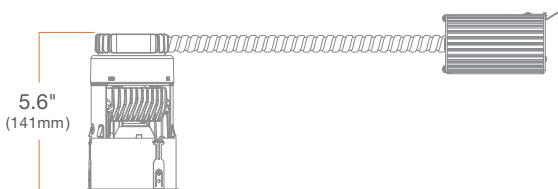
**CUTOUT:** 3 1/4" (82mm) round opening

**LISTINGS:** Non-IC

**TRIM COMPATIBILITY:** Micro Flanged trims only



**Total Height in Plenum**



HOUSING



Remodel, Digital Modules (DALI-2)

X2RDR

SUMMARY

**JUNCTION BOX:** Equipped with four knockouts: two 1/2" trade size knockouts and two romex knockouts. Approved for 8 (four in, four out) #12 AWG 70°C.

**CEILING:**

Drywall: 1/2" - 1 1/4" (12mm-32mm)

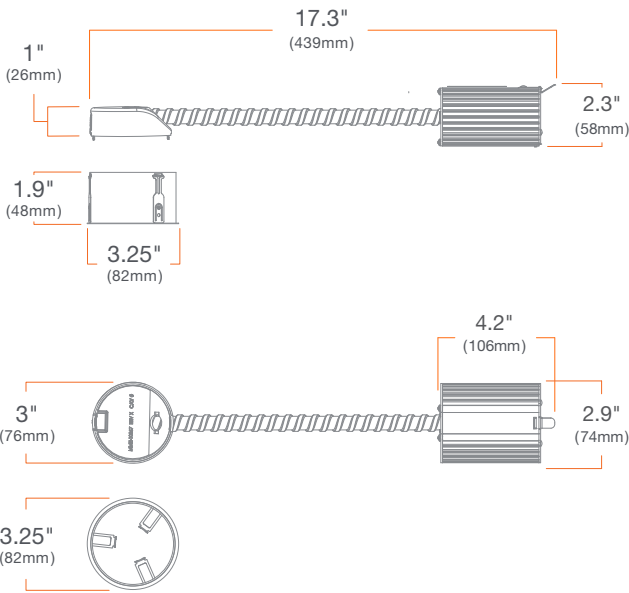
Wood Ceiling: 1/2" - 1" (12mm-25mm)

Acoustic Ceiling Tiles: 5/8" - 1 1/4" (16mm-32mm)

**CUTOUT:** 3 1/4" (82mm) round opening

**LISTINGS:** Non-IC

**TRIM COMPATIBILITY:** Micro Flanged trims only



Total Height in Plenum



**TRIMS**



**SUMMARY**

**CONSTRUCTION:** Die-cast aluminum

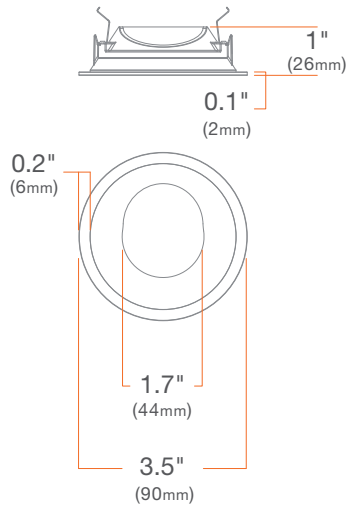
**STANDARD FINISHES:** Wet paint

**PREMIUM METALIZED FINISHES:** Wet paint + MVD Coating

**INSTALLATION:** Precision Lock Collar included with Flanged or Micro Flange Trim and Flangeless Mud or Wood Kit

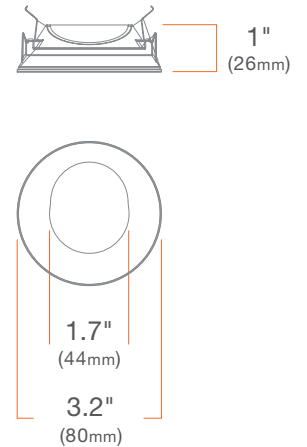
**Standard Micro Flange**

**X2TRASWHMF**



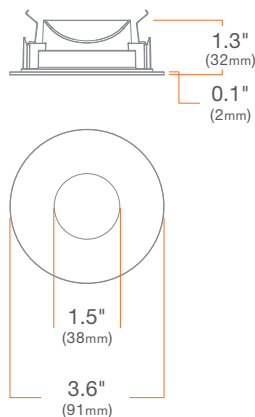
**Standard Flangeless**

**X2TRASWHFL**



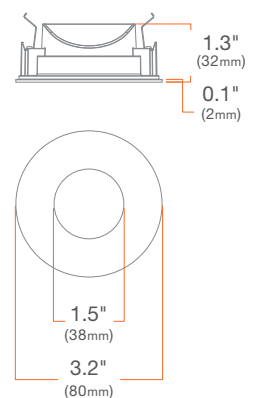
**Pinhole**

**X2TRAPWH**



**Pinhole Flangeless**

**X2TRAPWHFL**



## ACCESSORIES

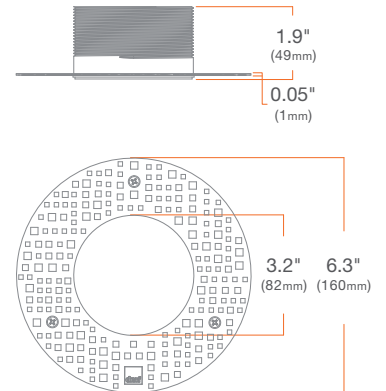


### Flangeless Mud Kit

**X2KRMUD**

**SUMMARY:** Flangeless Mud Kit (Required for New Construction installation of Flangeless Trim in drywall ceiling)

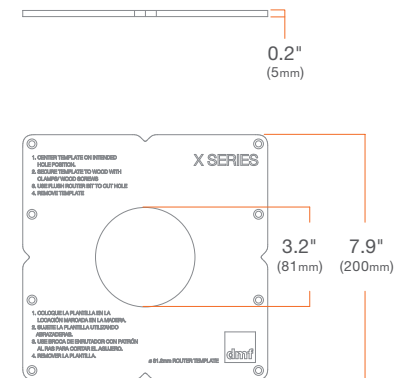
**CEILING:** 1/2" up to 1 1/4"



### Router Template

**X2KRTEMPLATE**

**SUMMARY:** Router Template (Recommended for routing 3 3/16" [81mm] cutout in wood ceiling)

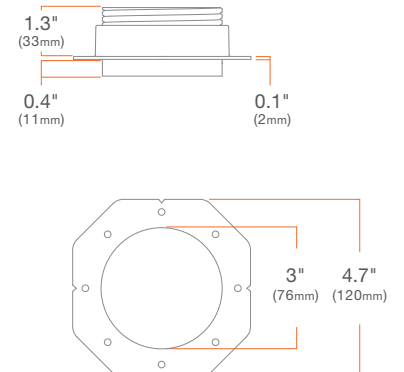


### Wood Kit

**X2KRWOOD**

**SUMMARY:** Wood Kit (Required for New Construction installation in wood ceiling. Must be mounted on wood before installation to ceiling.)

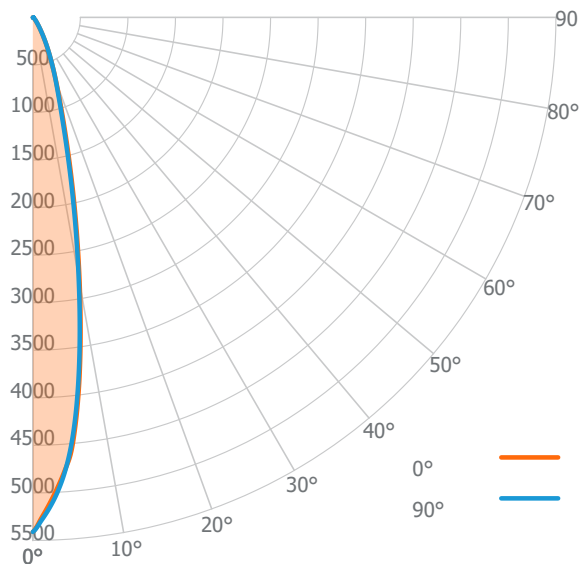
**CEILING:** 1/2" up to 1 1/4"



## PHOTOMETRY

1000 lm, 3000K, Narrow Spot **XMA10930NST**  
 2" Standard Micro Flange Trim, White **X2TRASWHMF**

Candela Distribution



Luminous Intensity

	0°
0°	5411
5°	4598
10°	2835
15°	1398
20°	715
25°	385
30°	193
35°	96
40°	53
45°	33
50°	21
55°	15
60°	13
65°	11
70°	8
75°	6
80°	4
85°	2
90°	1

Zonal Lumen Summary

Zone	Lumens	Luminaire %
0° - 30°	890	90%
0° - 40°	944	95%
0° - 60°	978	98%
0° - 90°	994	100%
0° - 180°	994	100%

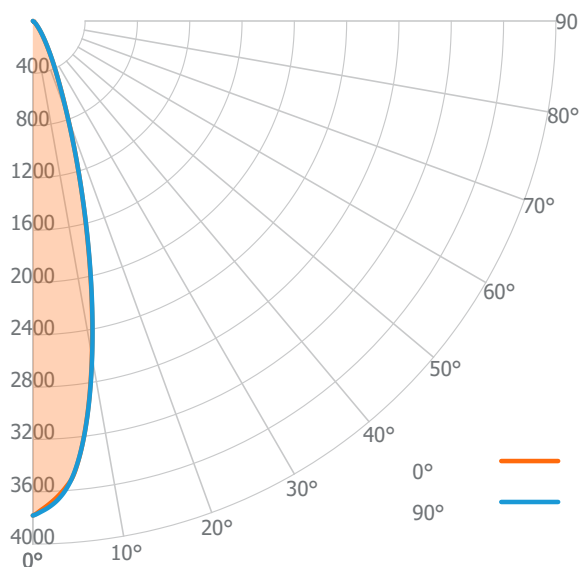
Illuminance Chart

Distance from LED	Foot Candles	Diameter
3 ft	601.2 fc	1.1 ft
6 ft	150.3 fc	2.2 ft
9 ft	66.8 fc	3.3 ft
12 ft	37.6 fc	4.4 ft

Input Watts: **12.5 W**  
 Lumens: **994 lm**  
 Efficacy: **79.5 lm/W**  
 Beam Angle: **21° x 20°**

1000 lm, 3000K, Spot **XMA10930SPT**  
 2" Standard Micro Flange Trim, White **X2TRASWHMF**

Candela Distribution



Luminous Intensity

	0°
0°	3782
5°	3500
10°	2603
15°	1537
20°	780
25°	400
30°	212
35°	115
40°	62
45°	35
50°	22
55°	16
60°	14
65°	12
70°	9
75°	7
80°	4
85°	2
90°	1

Zonal Lumen Summary

Zone	Lumens	Luminaire %
0° - 30°	849	88%
0° - 40°	913	94%
0° - 60°	949	98%
0° - 90°	967	100%
0° - 180°	967	100%

Illuminance Chart

Distance from LED	Foot Candles	Diameter
3 ft	420.2 fc	1.4 ft
6 ft	105.0 fc	2.8 ft
9 ft	46.7 fc	4.2 ft
12 ft	26.3 fc	5.7 ft

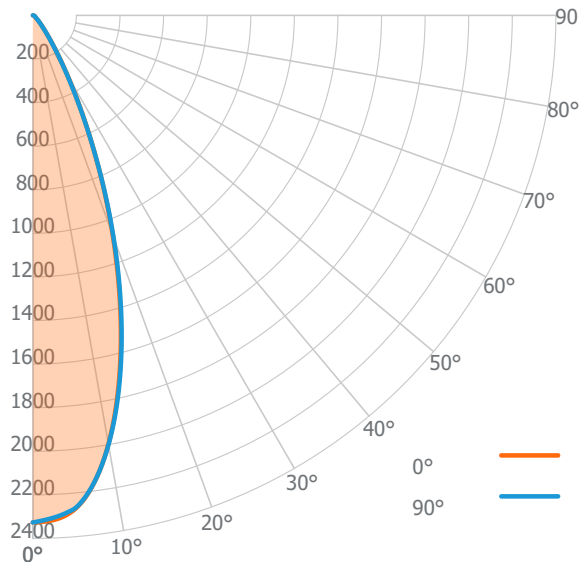
Input Watts: **12.5 W**  
 Lumens: **967 lm**  
 Efficacy: **77.4 lm/W**  
 Beam Angle: **27° x 27°**

PHOTOMETRY

1000 lm, 3000K, Flood XMA10930FLT

2" Standard Micro Flange Trim, White X2TRASWHMF

Candela Distribution



Luminous Intensity

	0°
0°	2326
5°	2270
10°	1998
15°	1561
20°	1072
25°	629
30°	319
35°	149
40°	72
45°	38
50°	21
55°	15
60°	12
65°	11
70°	9
75°	6
80°	4
85°	2
90°	1

Zonal Lumen Summary

Zone	Lumens	Luminaire %
0° - 30°	843	86%
0° - 40°	925	95%
0° - 60°	961	98%
0° - 90°	977	100%
0° - 180°	977	100%

Illuminance Chart

Distance from LED	Foot Candles	Diameter
3 ft	258.5 fc	2.1 ft
6 ft	64.6 fc	4.1 ft
9 ft	28.7 fc	6.2 ft
12 ft	16.2 fc	8.3 ft

Input Watts: 12.5 W

Lumens: 977 lm

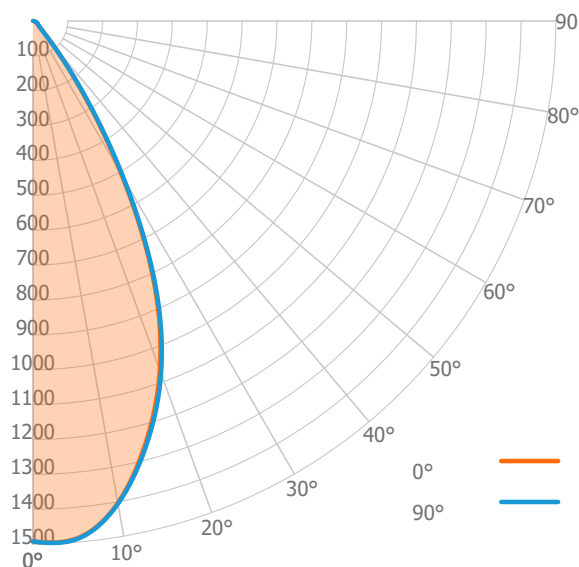
Efficacy: 78 lm/W

Beam Angle: 38° x 38°

1000 lm, 3000K, Wide Flood XMA10930WFT

2" Standard Micro Flange Trim, White X2TRASWHMF

Candela Distribution



Luminous Intensity

	0°
0°	1493
5°	1488
10°	1404
15°	1252
20°	1065
25°	819
30°	510
35°	245
40°	95
45°	38
50°	23
55°	17
60°	15
65°	13
70°	10
75°	7
80°	5
85°	3
90°	1

Zonal Lumen Summary

Zone	Lumens	Luminaire %
0° - 30°	781	80%
0° - 40°	914	94%
0° - 60°	956	98%
0° - 90°	976	100%
0° - 180°	976	100%

Illuminance Chart

Distance from LED	Foot Candles	Diameter
3 ft	165.9 fc	3.0 ft
6 ft	41.5 fc	5.9 ft
9 ft	18.4 fc	8.9 ft
12 ft	10.4 fc	11.8 ft

Input Watts: 12.5 W

Lumens: 976 lm

Efficacy: 78.1 lm/W

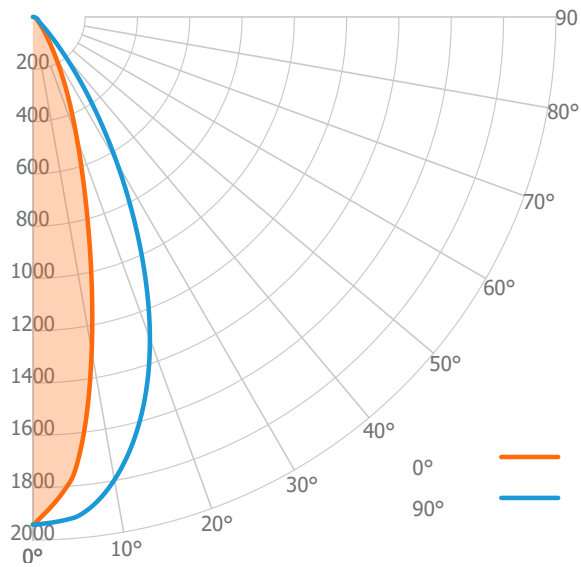
Beam Angle: 52° x 53°

## PHOTOMETRY

1000 lm, 3000K, Linear Spread **XMA10930LST**

2" Standard Micro Flange Trim, White **X2TRASWHMF**

Candela Distribution



Luminous Intensity

	0°
0°	1941
5°	1763
10°	1296
15°	812
20°	491
25°	297
30°	169
35°	98
40°	59
45°	39
50°	27
55°	20
60°	17
65°	14
70°	11
75°	8
80°	5
85°	3
90°	1

Zonal Lumen Summary

Zone	Lumens	Luminaire %
0° - 30°	724	78%
0° - 40°	848	91%
0° - 60°	906	97%
0° - 90°	931	100%
0° - 180°	931	100%

Illuminance Chart

Distance from LED	Foot Candles	Diameter
3 ft	215.7 fc	1.4 ft
6 ft	53.9 fc	2.8 ft
9 ft	24.0 fc	4.2 ft
12 ft	13.5 fc	5.6 ft

Input Watts: **12.5 W**

Lumens: **931 lm**

Efficacy: **74 lm/W**

Beam Angle: **26° x 50°**