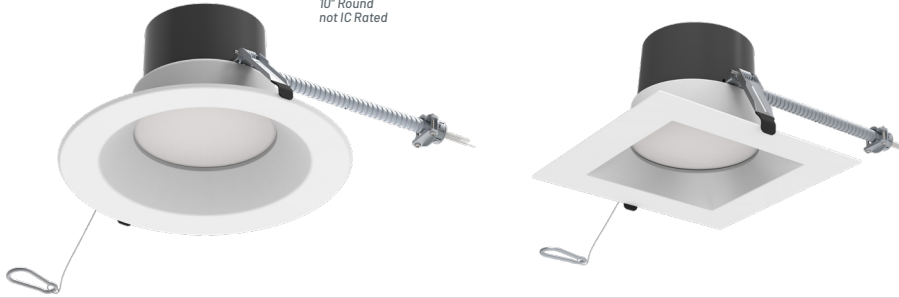


DRS G3

LED Selectable Downlight - Retrofit Series **CONTRACTOR XP**

Due to continuous product improvements, specification and/or equipment updates may change without notice.



DRS G3

Available in 4", 6", 8", 10" Round, and 4" and 6" Square sizes

(Images are shown for illustration purposes only)

The **DRS G3 Selectable Downlight Retrofit Series** is a problem solving commercial LED downlight with 5 selectable CCT options, 4 different sizes and selectable LED drivers, with a 90 CRI rating. Dimming made easy with 0-10V, TRIAC & ELV all in one option for each driver at no additional cost. Experience the difference with SLG Lighting selectable luminaires.

Catalog Number	Description	Lumens	Watts	CCT	CRI	Voltage	Dimming
DRS 4R LS12 G3 FSK	LED Selectable Downlight - 4" Round - White Trim	Selectable 600 - 1,200 Lumens	Selectable 6 - 12 W	Selectable 2700K - 5000K	90	120V - 277V	0-10V, TRIAC & ELV
DRS 6R LS15 G3 FSK	LED Selectable Downlight - 6" Round - White Trim	Selectable 750 - 1,500 Lumens	Selectable 7 - 15 W	Selectable 2700K - 5000K	90	120V - 277V	0-10V, TRIAC & ELV
DRS 8R LS25 G3 FSK	LED Selectable Downlight - 8" Round - White Trim	Selectable 1,100 - 2,500 Lumens	Selectable 10 - 25 W	Selectable 2700K - 5000K	90	120V - 277V	0-10V, TRIAC & ELV
DRS 10R LS36 G3 FSK	LED Selectable Downlight - 10" Round - White Trim	Selectable 2,000 - 3,500 Lumens	Selectable 20 - 36 W	Selectable 2700K - 5000K	90	120V - 277V	0-10V, TRIAC & ELV
DRS 4S LS12 G3 FSK	LED Selectable Downlight - 4" Square - White Trim	Selectable 600 - 1,200 Lumens	Selectable 6 - 12 W	Selectable 2700K - 5000K	90	120V - 277V	0-10V, TRIAC & ELV
DRS 6S LS15 G3 FSK	LED Selectable Downlight - 6" Square - White Trim	Selectable 750 - 1,500 Lumens	Selectable 7 - 15 W	Selectable 2700K - 5000K	90	120V - 277V	0-10V, TRIAC & ELV

ORDERING GUIDE

Example: **DRS 4R LS15 G3 FSK**

ACCESSORIES

Fixture Type	Size & Shape	Selectable Lumen Output	Generation	Voltage	Dimming	CCT	Finish	Wall Washer	Accessories
• DRS LED Selectable Downlight - Retrofit Series	• 4R 4" Round	• LS12 600 Lm / 6 W 800 Lm / 8 W 1,200 Lm / 12 W	• G3 Gen 3	• BLANK 120-277 V	• BLANK 0-10V, TRIAC & ELV	• FSK 2700K 3000K 3500K 4000K 5000K	• BLANK White	• DRS 4RW G3 4" Round Wall Washer	• EMA-DH09D-UNV-145 9W Emergency Driver
	• 4S 4" Square								
	• 6R 6" Round	• LS15 750 Lm / 7 W 1,100 Lm / 10 W 1,500 Lm / 15 W							
	• 6S 6" Square								
	• 8R 8" Round	• LS25 1,100 Lm / 10 W 2,000 Lm / 20 W 2,500 Lm / 25 W							
• 10R 10" Round	• LS36 2,000 Lm / 20 W 2,500 Lm / 25 W 3,500 Lm / 36 W		• DRS 6RW G3 6" Round Wall Washer	• DE 3/4/6/8/10R HOUSING New Construction Universal Housing for 4", 6", 8", and 10" Round Downlights					
								• DRS 8RW G3 8" Round Wall Washer	• DE 4/6/8S HOUSING New Construction Universal Housing compatible with 4"/6"/8" Square Downlight
									• DT GR 4R W Downlight Goof Ring 4" Round
									• DT GR 6R W Downlight Goof Ring 6" Round
									• DT GR 8R W Downlight Goof Ring 8" Round
									• DT GR 10R W Downlight Goof Ring 10" Round

Specifications

Construction

UL94-5VA fire rated PC materials driver box. Housing less design with spring-action housing clips. 26" flexible conduit/whip with knockout quick connector. Aircraft design to support second drop protection.

Efficacy

Up to 110 Lm/W.

Wattage

6-36 W.

Lumen Range

600 Lm - 3,500 Lm.

Driver

Integrated class 2 isolated low voltage driver.

Ambient Operating Temperature

-25°C (-13°F) to 40°C (104°F).

Mounting

Retrofit or New construction recessed mount.

CCT & CRI

2700K, 3000K, 3500K, 4000K, and 5000K Field selectable CCT, 90 CRI

Lens

Polycarbonate material diffuser.

Dimming and Range

Tri-Combo: 0-10V, TRIAC, & ELV Dim off (0.75V), 10-100%

Certifications/Listings

Suitable for wet locations (non-conductive trim), IC rated and Air-tight. 5-year warranty. UL Listed, Energy Star listed, FCC part 15 Class B, CA Title 24 Compliant: JA8-2022(-E)

Warranty

5-year limited warranty. Comprehensive warranty terms can be located on www.slgus.com.

IC Rated

Suitable for direct contact with insulation. Type IC inherently protected, suitable for direct contact to air permeable insulation and cULus listed damp olcations. Not for use in direct contact with spray foam insulation, consult NEMA LSD57-2013. *10" Round model is NOT IC Rated.*

Performance Information

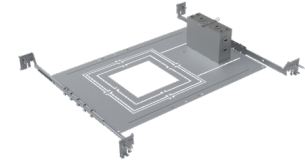
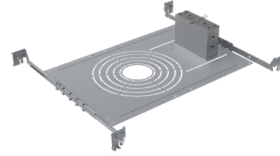
Series Number	Lumens	Wattage	
DRS G3 LS12	600 Lm	6 W	2700K / 3000K / 3500K 4000K / 5000K
	800 Lm	8 W	
	1,200 Lm	12 W	

Series Number	Lumens	Wattage	CCT
DRS G3 LS15	750 Lm	7 W	2700K / 3000K / 3500K 4000K / 5000K
	1,100 Lm	10 W	
	1,500 Lm	15 W	

Series Number	Lumens	Wattage	CCT
DRS G3 LS25	1,100 Lm	10 W	2700K / 3000K / 3500K 4000K / 5000K
	2,000 Lm	20 W	
	2,500 Lm	25 W	

Series Number	Lumens	Wattage	CCT
DRS G3 LS36	2,000 Lm	20 W	2700K / 3000K / 3500K 4000K / 5000K
	2,500 Lm	25 W	
	3,500 Lm	36 W	

Accessories



EMA-DH09D-UNV-145
8W Emergency Backup



DRS 4/6/8RW G3
Round Wall Washer, available in 4, 6, and 8 inch sizes.



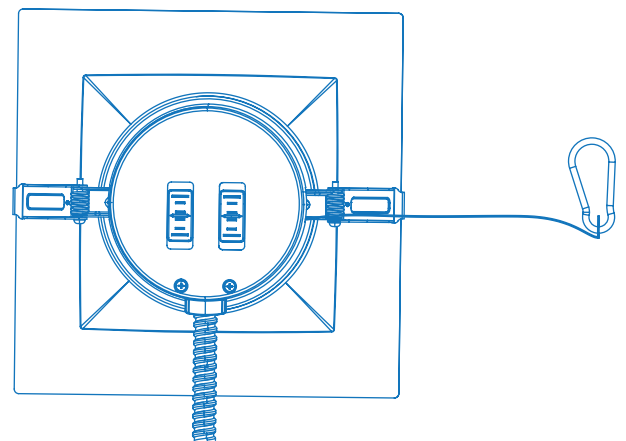
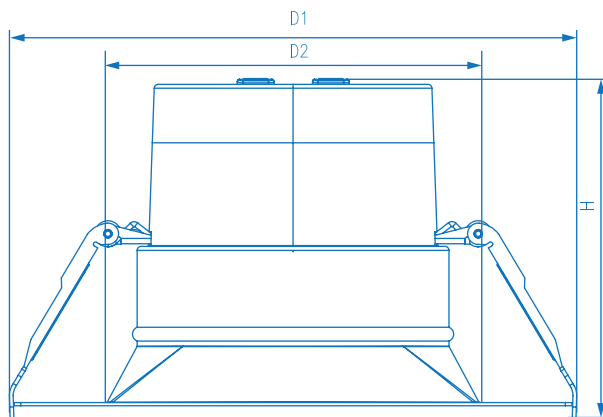
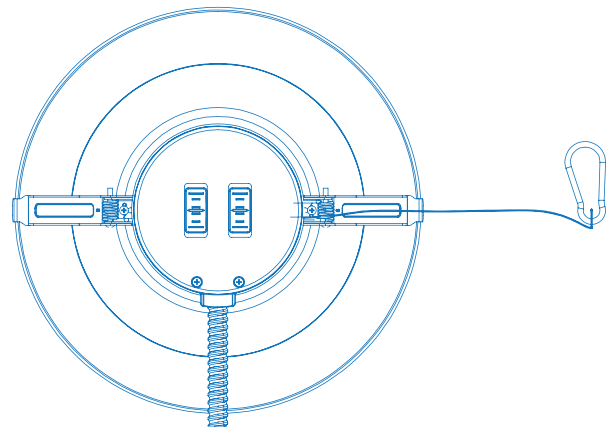
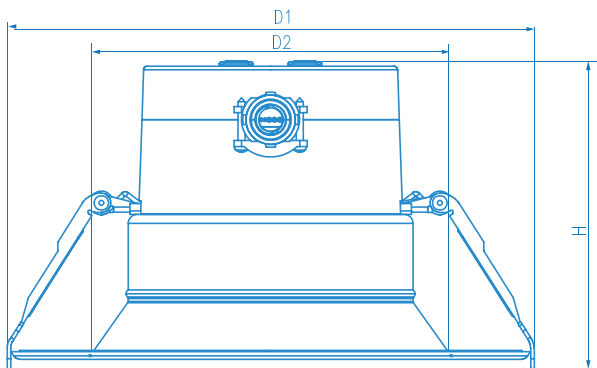
DT GR 4/6/8 W
Downlight Goof Ring for 4, 6, and 8 inch round fixtures.

DE 3/4/6/8/10R HOUSING
New Construction Universal Housing for 4", 6", and 8" Round Downlights

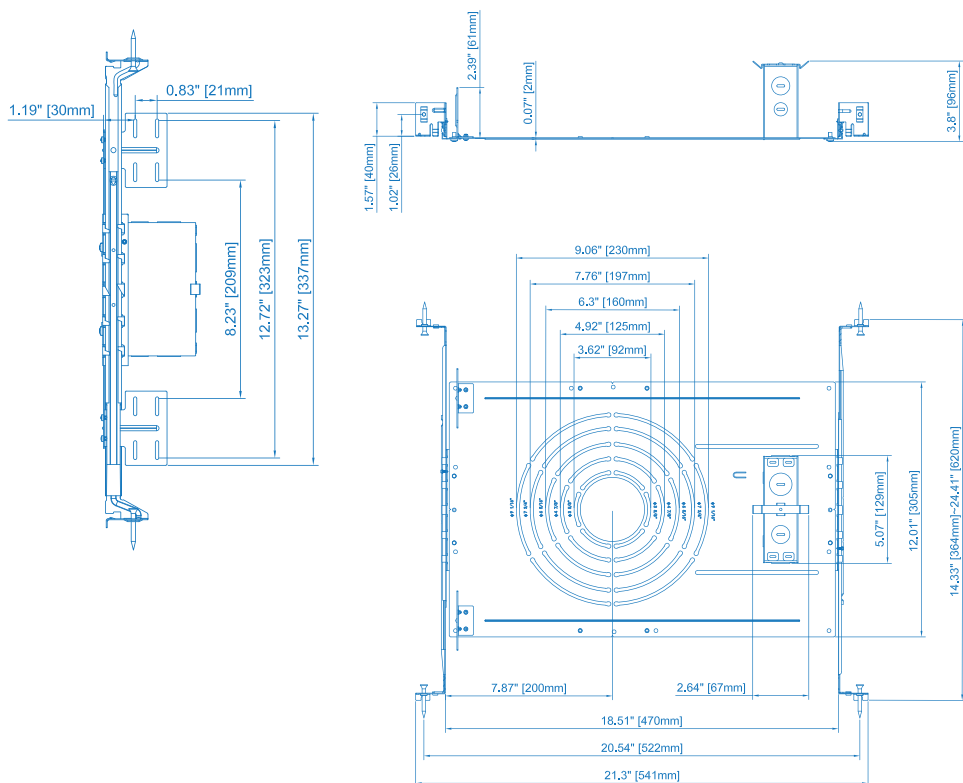
DE 4/6/8S HOUSING
New Construction Universal Housing compatible with 4"/6"/8" Square Downlight with emergency backup brackets and hanger bars.

Dimensions

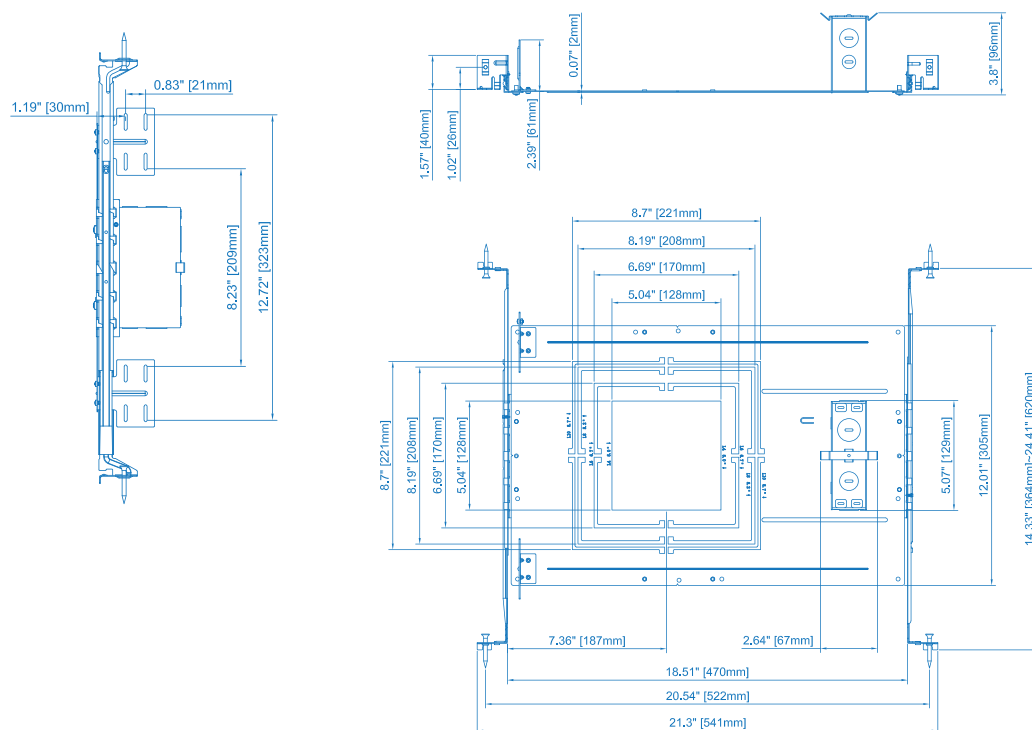
Model No.	Size	D1	D2	H	Cut-out
DRS 4R LS12 G3 FSK	4" Round	6"	4-3/4"	4-3/16"	ø 4-15/16"
DRS 6R LS15 G3 FSK	6" Round	8-7/16"	5-7/8"	4-13/16"	ø 6-1/8"
DRS 8R LS25 G3 FSK	8" Round	10-1/16"	7-3/8"	5"	ø 7-9/16"
DRS 10R LS36 G3 FSK	10" Round	11-3/8"	8-11/16"	5-1/2"	ø 9"
DRS 4S LS12 G3 FSK	4" Square	6-7/10"	4-2/5"	4"	ø6-3/10"
DRS 6S LS15 G3 FSK	6" Square	8-3/10"	5-3/5"	4-4/5"	ø7-9/10"



Dimensions (DE 3/4/6/8/10R HOUSING)



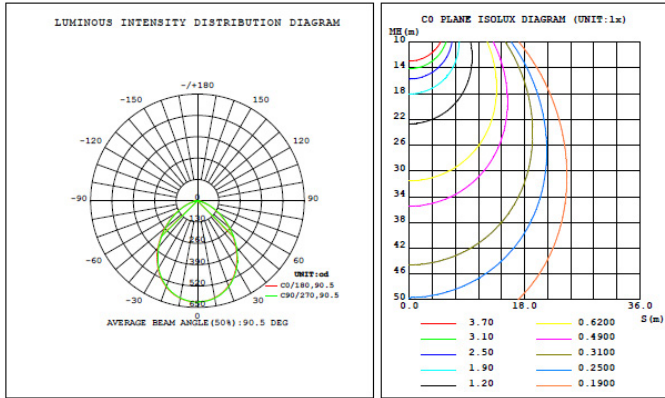
Dimensions (DE 4/6/8S HOUSING)



Photometrics

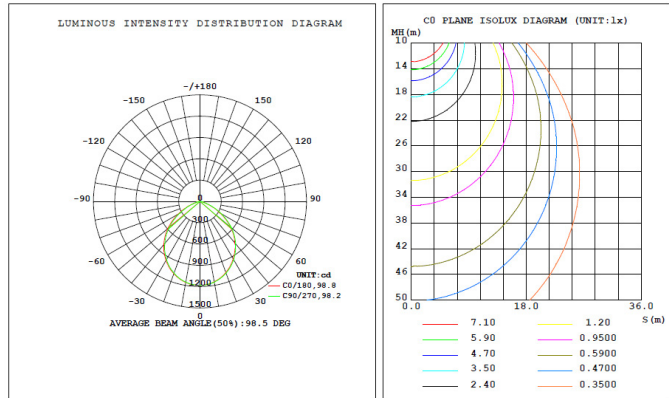
DRS 4R LS12 G3 FSK - 3000K

DATA OF LAMP		PHOTOMETRIC DATA Eff: 107.46 lm/W			
MODEL		I _{max} (cd)	617.1	S/MH (C0/180)	1.16
NOMINAL POWER (W)	12	LOR (%)	100.0	S/MH (C90/270)	1.15
RATED VOLTAGE (V)	120	TOTAL FLUX (lm)	1293.6	η UP, DN (C0-180)	0.0, 50.0
NOMINAL FLUX (lm)	1293.61	CIE CLASS	DIRECT	η UP, DN (C180-360)	0.0, 50.0
LAMPS INSIDE	1	η up (%)	0.0	CIBSE SHR NOM	1.25
TEST VOLTAGE (V)	120	η down (%)	100.0	CIBSE SHR MAX	1.25



DRS 8R LS25 G3 FSK - 3000K

DATA OF LAMP		PHOTOMETRIC DATA Eff: 106.00 lm/W			
MODEL		I _{max} (cd)	1182	S/MH (C0/180)	1.21
NOMINAL POWER (W)	25	LOR (%)	100.0	S/MH (C90/270)	1.20
RATED VOLTAGE (V)	120	TOTAL FLUX (lm)	2664.0	η UP, DN (C0-180)	0.0, 50.0
NOMINAL FLUX (lm)	2663.99	CIE CLASS	DIRECT	η UP, DN (C180-360)	0.0, 50.0
LAMPS INSIDE	1	η up (%)	0.0	CIBSE SHR NOM	1.25
TEST VOLTAGE (V)	120	η down (%)	100.0	CIBSE SHR MAX	1.35



DRS 10R LS25 G3 FSK - 3000K

DATA OF LAMP		PHOTOMETRIC DATA Eff: 105.29 lm/W			
MODEL		I _{max} (cd)	1649	S/MH (C0/180)	1.22
NOMINAL POWER (W)	34	LOR (%)	100.0	S/MH (C90/270)	1.21
RATED VOLTAGE (V)	120	TOTAL FLUX (lm)	3620.6	η UP, DN (C0-180)	0.0, 49.9
NOMINAL FLUX (lm)	3620.62	CIE CLASS	DIRECT	η UP, DN (C180-360)	0.0, 50.1
LAMPS INSIDE	1	η up (%)	0.0	CIBSE SHR NOM	1.25
TEST VOLTAGE (V)	120	η down (%)	100.0	CIBSE SHR MAX	1.35

