



Project:	Type:
Prepared By:	Date:

**Technical Specifications**

**Performance**

**Product Type:**

Mounting Hardware

**Description:**

Mounting hardware to retrofit Disk surface mounts to existing downlight housings

**Installation**

**Mounting:**

Attach mounting hardware to metal bracket with included set screws

**Base Type:**

E26 Edison

**Construction**

**Enclosure Material:**

Plastic

**Finish:**

White

**Compliance**

**Environment:**

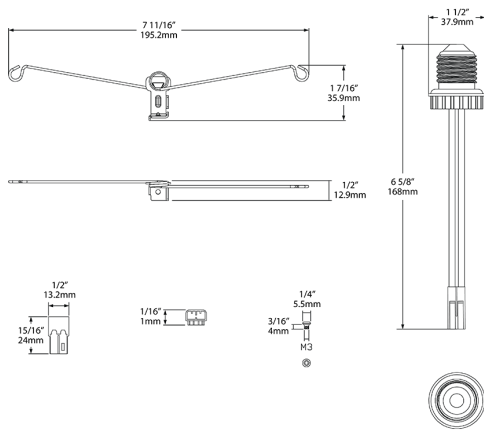
Suitable for use in dry and damp environments

**Other**

**Compatible Products:**

- [DSK34-6R16927120WS](#)
  - [DSK34-6R16930120WS](#)
  - [DSK34-6R16935120WS](#)
  - [DSK34-6R16940120WS](#)
  - [DSK34-6R16950120WS](#)
  - [DSK34-6R16930120BS](#)
  - [DSK34-6R16940120BS](#)
  - [DSK34-6R16930120BRS](#)
  - [DSK34-6R16940120BRS](#)
  - [DSK34-6R16930120BNS](#)
  - [DSK34-6R16940120BNS](#)
  - [DSK34-6R16.5930120WS](#)
  - [DSK34-6R16.5940120WS](#)
- 6" DISK34 Surface Mount

**Dimensions**



**Features**

- Use mounting bracket from DISK34 to attach mounting hardware
- Match the size of the diameter of the downlight housing to the holes on the bracket