

# LEDVANCE Luminaires

## DUAL SELECTABLE UFO HIGH BAY 3A

VALUE CLASS

### Application

An environmentally preferable alternative to traditional luminaires and offering up to 78% energy savings, the Value Class UFO High Bay 3A is ideal for illuminating warehouses, gymnasiums, and other industrial applications. The dual selectable feature facilitates inventory management and allows customers to customize lighting on site with ease.

### Benefits and Features

- Lightweight fixture is designed for easy and safe installation
- Multiple mounting options for a variety of applications – pendant, hook, surface mount
- All fixtures ship with a pre-wired sensor base that is ready to accept an optional, field installable, screw-in motion/daylight sensor – sensor installs in seconds
- 90° polycarbonate front lens minimizes glare
- Variety of optics – polycarbonate refractor and aluminum reflector available
- IP65 rated aluminum body
- Up to 150 LPW
- 3500K, 4000K, or 5000K color temperature selectable
- CRI >80
- Offered in 100, 120, or 150 watts selectable and 200, 220, or 240 watts selectable
- Energy savings up to 78%

### Electrical

- 120-277VAC
- Power Factor >90%
- THD <20%
- 0-10V dimmable
- Constant current LED driver with 6kV surge suppression
- UL Wet Rated

### Rated Life

- 150,000 hours (L<sub>70</sub>)

### Warranty

- 5-year
- NLB Trusted Warranty Program

### Certifications and Listings

- cULus
- RoHS
- FCC
- NSF
- NEMA 4X
- DLC 5.1 Premium



### Wattage Comparison

Traditional Source	Traditional System Wattage	LED System Wattage	Energy Savings
250W MH	290	100	66%
250W HPS	295	100	66%
320W MH	370	150	59%
400W HPS	460	150	67%
400W MH	450	150	67%
750W MH	820	200	76%
750W HPS	840	200	76%
1000W MH	1080	240	78%
1000W HPS	1100	240	78%

### Operating Temperature

- 150W Models – All Wattage Settings:  
–40°F to +122°F (-40°C to +50°C)
- 240W Models – 200W and 220W Settings:  
–40°F to +122°F (-40°C to +50°C)  
– 240W Setting:  
–40°F to +109°F (-40°C to +43°C)

### Installation

- Luminaire can be hung via included hook, or can be surface or pendant mounted using optional mounting brackets.
- Aluminum reflector, polycarbonate refractor, and polycarbonate bottoms lens are available.
- Includes 6' power cable and 3' dimming cable.
- Polycarbonate refractor and polycarbonate bottom lens have an IK08 rating.
- Optional wire guards are available
- Unscrew plug in the center of the lens to screw in the optional motion/daylight sensor by hand – no wiring required.

Catalog #	Type
Project	
Comments	
Prepared by	

Ordering Guide

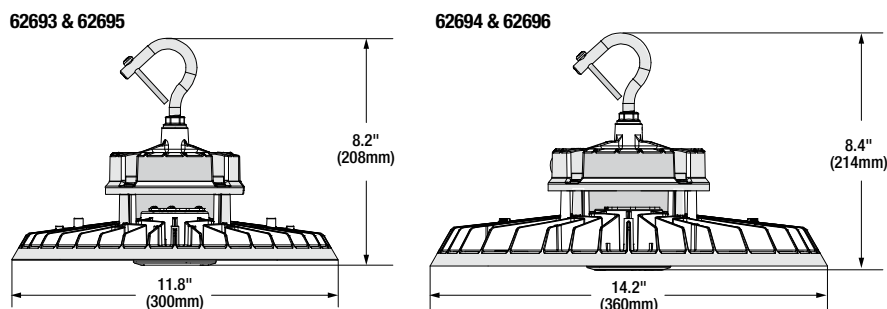
<b>UFOHIBA</b>	<b>3A</b>	<b>/</b>	<b>SXXX</b>	<b>UNV</b>	<b>D</b>	<b>8</b>	<b>SC7</b>	<b>/</b>	<b>XX</b>
Product Name	Generation		Wattage	Voltage	Dimming	CRI	Color Temp		Color/Finish
UFOHIBA = UFO	3A = Generation 3A		S150 = 100, 120, or 150W	UNV = 120-277V	D = 0-10V	8 = > 80	SC7 = 3500, 4000, or 5000K		WH = White finish BL = Black finish
High Bay Luminaire			S240 = 200, 220, or 240W						

Ordering Information

Item Number	Ordering Abbreviation	Power (W)	Input Voltage (V)	Dimming	CRI	Color Temp.	Lowest Lumen Levels @4000K (lm)	Middle Lumen Levels @4000K (lm)	Highest Lumen Levels @4000K (lm)	LPW	DLC	Finish
62693	UFOHIBA3A/S150UNVD8SC7/WH	100, 120, or 150W	120-277V	0-10V	>80	3500, 4000, or 5000K	Up to 15,000 (100W)	Up to 18,000 (120W)	Up to 22,500 (150W)	Up to 150	5.1 Pfm	White
62695	UFOHIBA3A/S150UNVD8SC7/BL	100, 120, or 150W	120-277V	0-10V	>80	3500, 4000, or 5000K	Up to 15,000 (100W)	Up to 18,000 (120W)	Up to 22,500 (150W)	Up to 150	5.1 Pfm	Black
62694	UFOHIBA3A/S240UNVD8SC7/WH	200, 220, or 240W	120-277V	0-10V	>80	3500, 4000, or 5000K	Up to 30,000 (200W)	Up to 33,000 (220W)	Up to 36,000 (240W)	Up to 150	5.1 Pfm	White
62696	UFOHIBA3A/S240UNVD8SC7/BL	200, 220, or 240W	120-277V	0-10V	>80	3500, 4000, or 5000K	Up to 30,000 (200W)	Up to 33,000 (220W)	Up to 36,000 (240W)	Up to 150	5.1 Pfm	Black

Physical Information

Luminaire Description	Diameter	Height
62693 & 62695	11.81"	8.2"
62694 & 62696	14.17"	8.4"



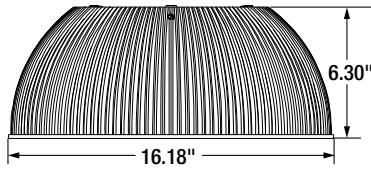
Accessories

Item Number	Ordering Abbreviation	Item Description
65613	UFOHIBA2A/SURFPENDMNT1/WH	White Surface/Pendant Mount Bracket for 100-150W products
65614	UFOHIBA2A/SURFPENDMNT2/WH	White Surface/Pendant Mount Bracket for 200-240W products
65702	UFOHIBA2A/SURFPENDMNT1/BL	Black Surface/Pendant Mount Bracket for 100-150W products
65703	UFOHIBA2A/SURFPENDMNT2/BL	Black Surface/Pendant Mount Bracket for 200-240W products
65620	UFOHIBA2A/WG1/WH	Wire guard for 100-150W products
65621	UFOHIBA2A/WG2/WH	Wire guard for 200-240W products
65622	HIGHBAY/MOTIONDAYSENSOR	Field installable Microwave DC Motion/Daylight Sensor, IP65, Max. mounting height 49 ft
62664	HIGHBAY/PIR/MOTIONDAYSENSOR2	Field installable PIR DC Motion/Daylight Sensor, IP65, Max. mounting height 39 ft
65623*	REMOTE/MOTIONDAY/001	Remote control for Motion/Daylight Sensor – Remote is Required to change default settings
65616	UFOHIBA2A/PC1/90	Polycarbonate Refractor for 100-150W products, 90° distribution
65617	UFOHIBA2A/PC2/90	Polycarbonate Refractor for 200-240W products, 90° distribution
61432	UFOHIBA1A/BOTTOMLENS	Polycarbonate bottom lens for use with 65616 or 65617
65618	UFOHIBA2A/AL1/90	Aluminum Reflector for 100-150W products, 90° distribution
65619	UFOHIBA2A/AL2/90	Aluminum Reflector for 200-240W products, 90° distribution
61062	EMBB/UFO/40WDC	40 watt field installable, self-testing emergency battery back-up unit with integral junction box. The EMBB is rated for 120V through 347V voltage input. The EMBB provides 5600-6800 lumens (based on LPW) for 90 minutes in case of a power outage. All units ship with a remote control facilitating additional testing if required.
63882	UFO/JUNCTIONBOX/GRAY	UFO Junction Box, Gray

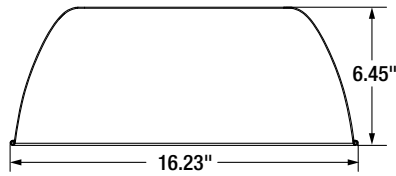
\*Required to change default settings.

**Accessories (continued)**

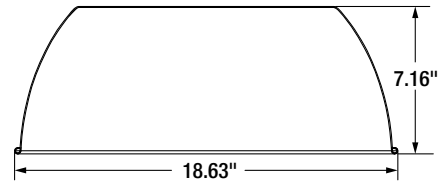
65616 & 65617



65618



65619



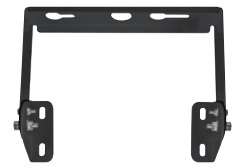
65620 & 65621



65613 & 65614



65702 & 65703



61432



65622 & 62664



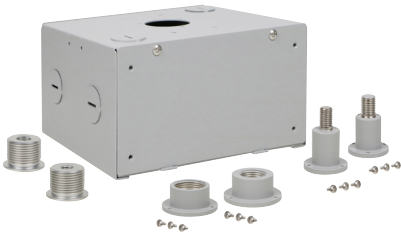
61062 w/Remote



65623 Sensor Remote



63882



**Optional Motion/Daylight Sensor Default Settings\***

<b>Detection area</b>	100%
<b>Hold time – Time fixture stays at 100% after last motion before dimming</b>	10 Minutes
<b>Daylight threshold – light level above which light will remain off</b>	50 Lux
<b>Stand-by period – Time light remains dimmed before shutting off</b>	60 Minutes
<b>Stand-by dimming – Dimming level of light during stand-by period</b>	30%

\*The default settings can only be changed using the optional remote 65623.

LEDVANCE LLC  
 181 Ballardvale Street, Suite 203  
 Wilmington, MA 01887 USA  
 Phone 1-800-LIGHTBULB (1-800-544-4828)  
 www.ledvanceUS.com

LEDVANCE is a registered trademark. The Bluetooth® word mark and logos are registered trademarks owned by the Bluetooth SIG, Inc. and any use of such marks by LEDVANCE LLC is under license. All other trademarks are those of their respective owners. Specifications subject to change without notice.



SCAN TO FOLLOW US  
ON SOCIAL MEDIA

