

LEDVANCE LUMINAIRES

DUAL SELECTABLE

WALL PACK 9A

LEDVANCE LUMINAIRE SPECIFICATION DATA

Catalog #	Comments
Project	
Type	
Prepared by	

PERFORMANCE CLASS™



APPLICATION

The Wall Pack 9A features both wattage and CCT selectability in a modern and exclusive LEDVANCE design. Using the same size/form factor footprint in an LED version; no patching, painting or repair work is needed as it covers the older existing fixture foot print perfectly. With 15 different lumen packages in only 5 SKUs, Wall Pack 9A has all your lighting projects covered. In addition to its integrated photocell, it offers a field installable plug & play motion/daylight sensor.

BENEFITS & FEATURES

- Up to 150 LPW
- Selectable color temperature: 3000K, 4000K, or 5000K
- CRI>80
- Selectable wattage and lumens:
 - 15/25/29W | 2,300/3,000/4,350 lm
 - 20/30/40W | 3,000/4,500/6,000 lm
 - 35/45/60W | 5,250/6,750/9,000 lm
 - 50/65/80W | 7,500/9,750/12,000 lm
 - 85/100/120W | 12,750/15,000/18,000 lm
- DLC 5.1 Premium Listing assures high energy efficiency and qualifies this product for utility rebates
- Field installable motion/daylight sensor
- Integrated photocell
- Glass Lens



ELECTRICAL

- 120-347 VAC
- Power Factor > 0.9
- THD < 20%
- Dimmable 0-10V
- Surge protection 4kV

RATED LIFE

- 100,000 hours (L₇₀)
@ 25°C ambient

OPERATING TEMPERATURE

- -40°F to +122°F (-40°C to +50°C)

CERTIFICATIONS & LISTINGS

- cULus listed to UL1598 standards
- RoHs
- FCC
- IP65, wet location rated
- DLC 5.1 Premium

WARRANTY

- 5 year
- NLB Trusted Warranty Program

INSTALLATION

- Wall mount

ORDERING GUIDE

WALPAKN	9A	SXXX	XXX	D	8	SCX	BZ	X
PRODUCT NAME	GENERATION	WATTAGE	VOLTAGE	DIMMING	CRI	COLOR TEMPERATURE	COLOR/FINISH	OPTIONS
WALPAKN = WALL PACK NON-CUTOFF	9A = GENERATION 9A	S029 = 15/20/29W S040 = 20/30/40W S060 = 35/45/60W S080 = 50/65/80W S120 = 85/100/120W	UNH = 120-347V	D = 0-10V Dimming	80 = >80 CRI	SC2 = 3000/4000/5000K	BZ = Bronze	P = Photocell E = Emergency

ORDERING INFORMATION

ITEM #	ORDERING ABBREVIATION	WATTAGE (W)	INPUT VOLTAGE (V)	DIM. (V)	CRI	COLOR TEMP (CCT)	TOTAL FIXTURE (LM)	DLC	LPW	OPTIONS	BUG RATING
63763	WALPAKN9AS029UNHD8SC2BZP	15/20/29	120-347	0-10	>80	3000/4000/5000	2300/3000/4350	5.1 Prem	Up to 150	Photocell	coming soon
63929	WALPAKN9AS029UNHD8SC2BZPE	15/20/29	120-347	0-10	>80	3000/4000/5000	2300/3000/4350	5.1 Prem	Up to 150	Photocell/Emergency	coming soon
63764	WALPAKN9AS040UNHD8SC2BZP	20/30/40	120-347	0-10	>80	3000/4000/5000	3000/4500/6000	5.1 Prem	Up to 150	Photocell	coming soon
63930	WALPAKN9AS040UNHD8SC2BZPE	20/30/40	120-347	0-10	>80	3000/4000/5000	3000/4500/6000	5.1 Prem	Up to 150	Photocell/Emergency	coming soon
63765	WALPAKN9AS060UNHD8SC2BZP	35/45/60	120-347	0-10	>80	3000/4000/5000	5250/6750/9000	5.1 Prem	Up to 150	Photocell	coming soon
63931	WALPAKN9AS060UNHD8SC2BZPE	35/45/60	120-347	0-10	>80	3000/4000/5000	5250/6750/9000	5.1 Prem	Up to 150	Photocell/Emergency	coming soon
63766	WALPAKN9AS080UNHD8SC2BZP	50/65/80	120-347	0-10	>80	3000/4000/5000	7500/9750/12000	5.1 Prem	Up to 150	Photocell	coming soon
63932	WALPAKN9AS080UNHD8SC2BZPE	50/65/80	120-347	0-10	>80	3000/4000/5000	7500/9750/12000	5.1 Prem	Up to 150	Photocell/Emergency	coming soon
63767	WALPAKN9AS120UNHD8SC2BZP	85/100/120	120-347	0-10	>80	3000/4000/5000	12750/15000/18000	5.1 Prem	Up to 150	Photocell	coming soon
63933	WALPAKN9AS120UNHD8SC2BZPE	85/100/120	120-347	0-10	>80	3000/4000/5000	12750/15000/18000	5.1 Prem	Up to 150	Photocell/Emergency	coming soon

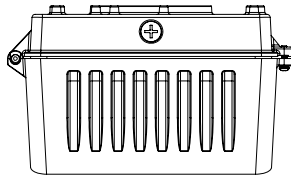
PHYSICAL INFORMATION

LUMINAIRE DESCRIPTION	LENGTH IN (MM)	WIDTH IN (MM)	HEIGHT IN (MM)	WEIGHT LB (KG)
29W	10.7 (271.4)	8.3 (211)	6.3 (160)	5.7 (2.6)
40W/60W/80W	14.4 (365.4)	9.3 (237)	6.3 (160)	7.5 (3.4)
120W	17.9 (454.4)	9 (229)	6.3 (160)	11 (5.0)

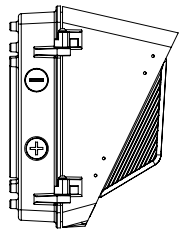
PHYSICAL INFORMATION (continued)

29W

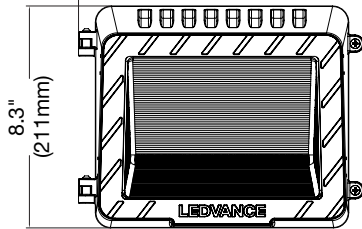
Top View



10.7"
(271.4mm)

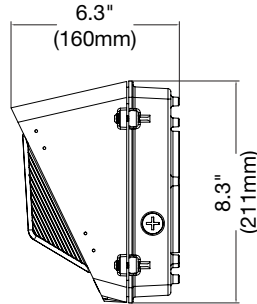


Side View



8.3"
(211mm)

Front View

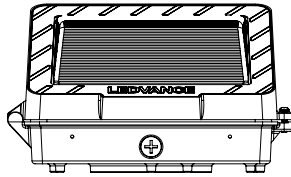


6.3"
(160mm)

Side View

8.3"
(211mm)

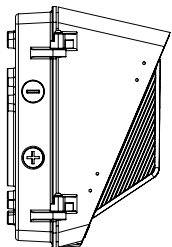
Bottom View



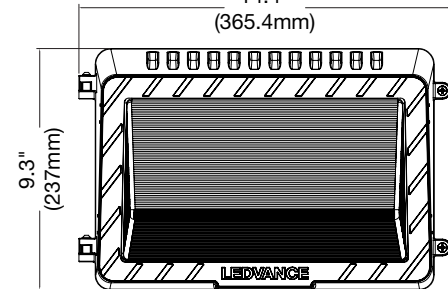
40-80W

Top View

14.4"
(365.4mm)

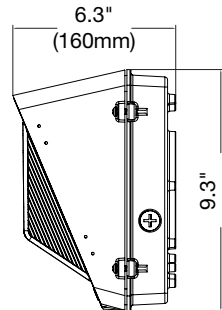


Side View



9.3"
(237mm)

Front View

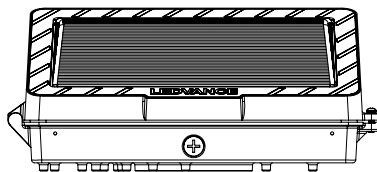


6.3"
(160mm)

Side View

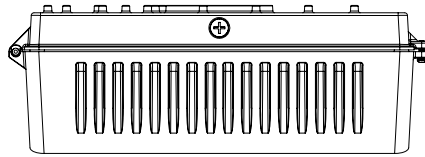
9.3"
(237mm)

Bottom View

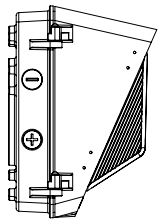


PHYSICAL INFORMATION (continued)

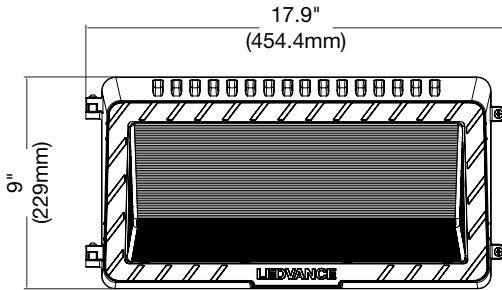
120W



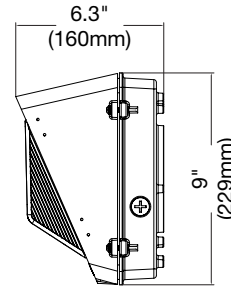
Top View



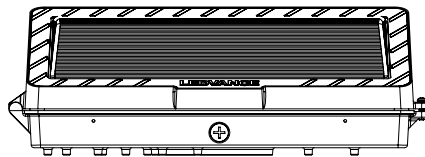
Side View



Front View



Side View



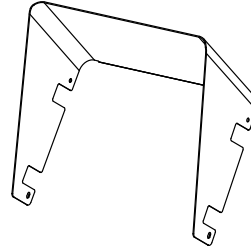
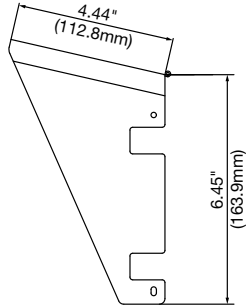
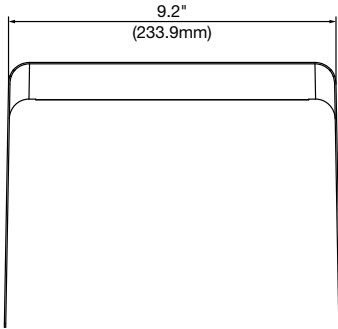
Bottom View

ACCESSORIES

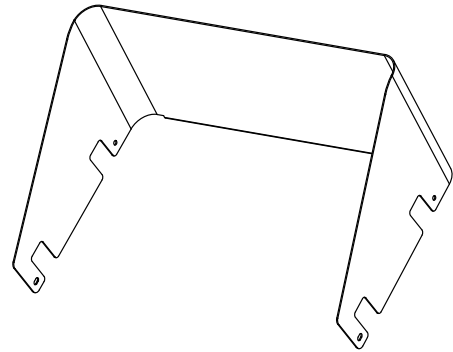
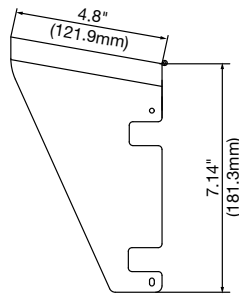
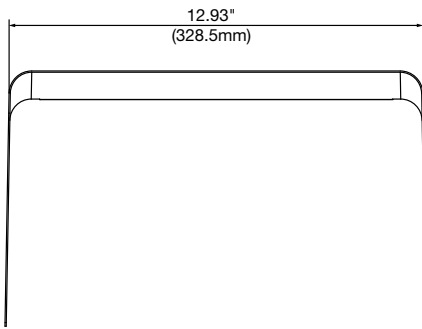
ITEM #	ORDERING ABBREVIATION	ITEM DESCRIPTION
Visors		
63922	WALPAKN9ASMVISORBZ	Small Visor, Bronze (29W)
63923	WALPAKN9AMEDVISORBZ	Medium Visor, Bronze (40/60/80W)
63924	WALPAKN9ALRGVISORBZ	Large Visor, Bronze (120W)
Wire Guards		
63925	WALPAKN9ASMALLWGAL	Small Wire Guard, Aluminum (29W)
63926	WALPAKN9AMEDWGAL	Medium Wire Guard, Aluminum (40/60/80W)
63927	WALPAKN9ALRGWGAL	Large Wire Guard, Aluminum (120W)
Sensors		
63958	WALPAKN9ASENSORADAPTOR	Daylight/Motion Sensor Adaptor
63748	AREA/PIRMOTIONDAYSENSOR/BZ	Field installable PIR Motion/Daylight Sensor, IP65, Max. mounting height 39ft, Bronze
65732	AREA/MWMOTIONDAYSENSOR/BZ	Field installable Microwave Motion/Daylight Sensor, IP65, Max. mounting height 49ft, Bronze
62664	HIGHBAYPIRMOTIONDAYSENSOR2	Field installable PIR Motion/Daylight Sensor, IP65, Max. mounting height 39ft, White
65622	HIGHBAYMOTIONDAYSENSOR	Field installable Microwave Motion/Daylight Sensor, IP65, Max. mounting height 49ft, White
65623	REMOTE/MOTIONDAY/001	Remote control for Motion/Daylight Sensors – Remote is required to change default settings

VISOR ACCESSORIES: PHYSICAL INFORMATION

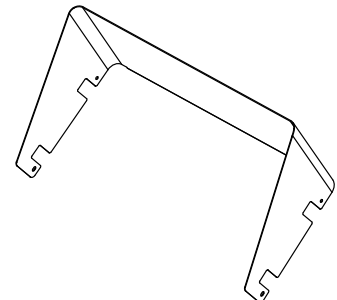
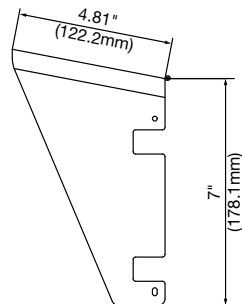
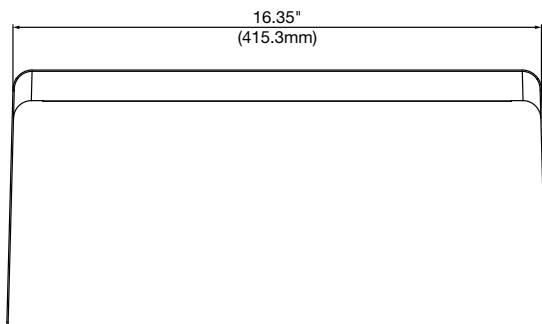
SMALL VISOR



MEDIUM VISOR

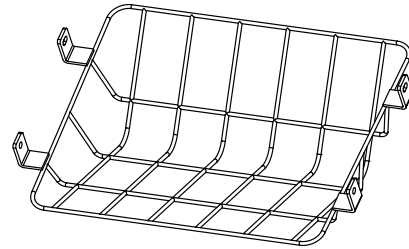
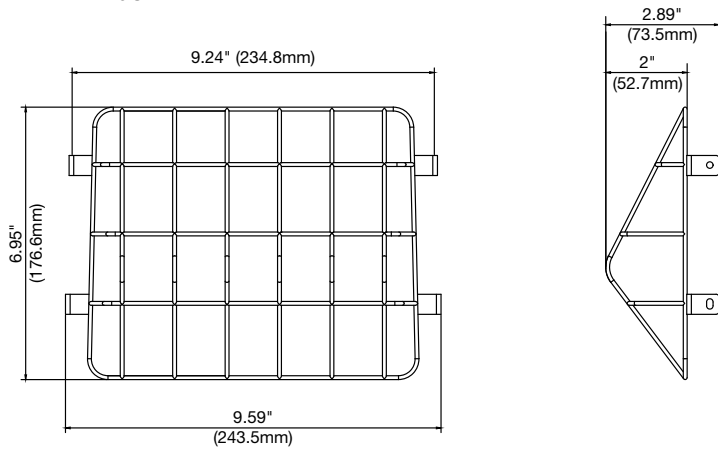


LARGE VISOR

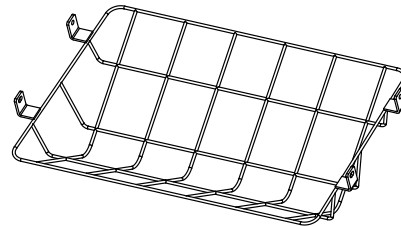
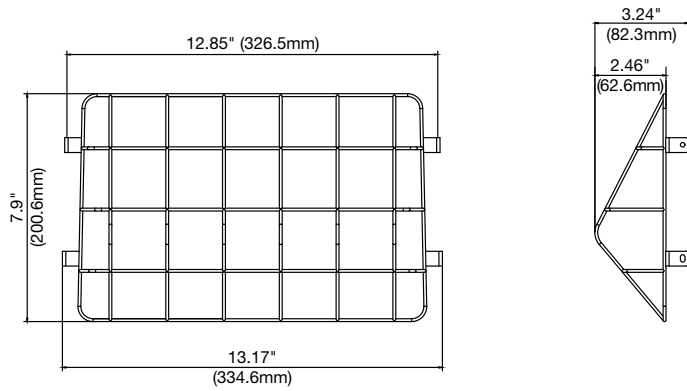


WIRE GUARD ACCESSORIES: PHYSICAL INFORMATION

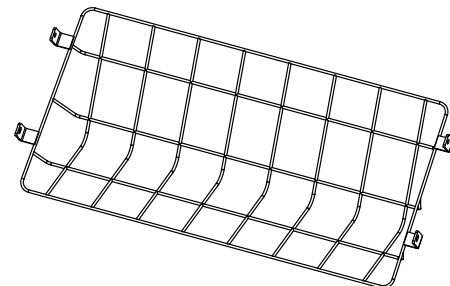
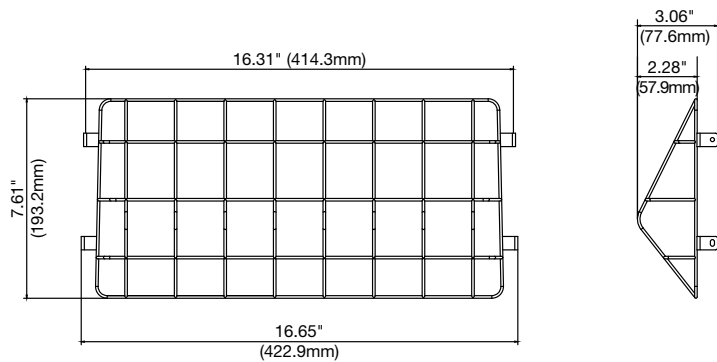
SMALL WIRE GUARD



MEDIUM WIRE GUARD

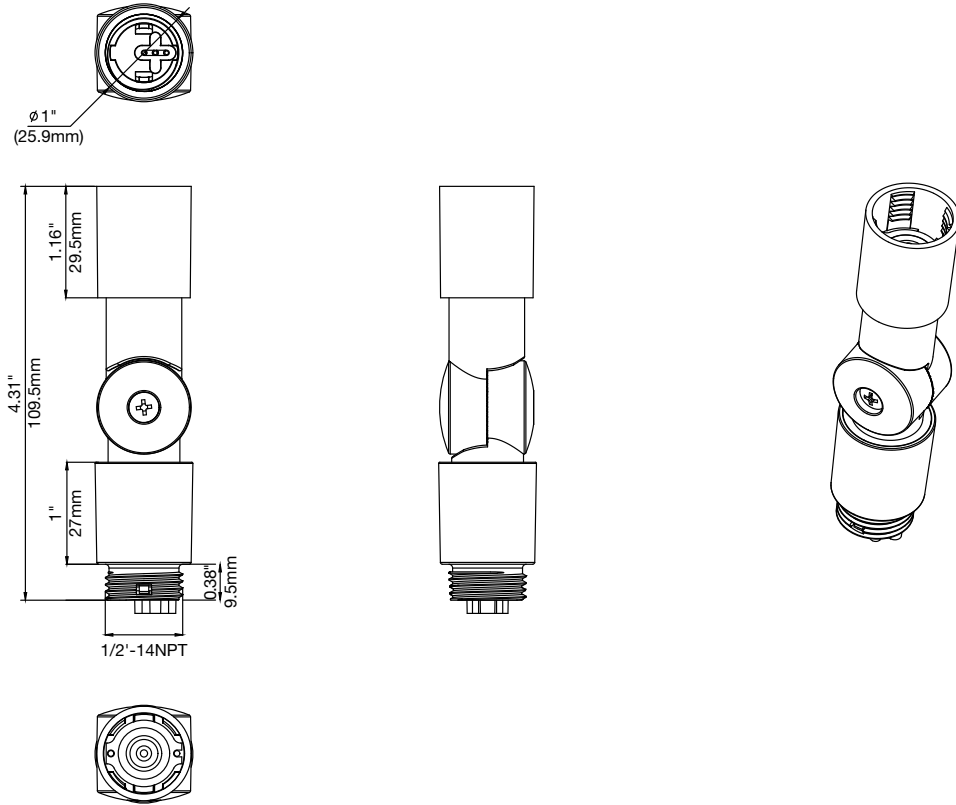


LARGE WIRE GUARD



SENSOR ADAPTOR

63958



OPTIONAL MOTION/DAYLIGHT SENSOR DEFAULT SETTINGS:

- Detection Area: 100%
- Hold time – Time fixtures stays at 100% after last motion before dimming: 10 minutes
- Daylight threshold – Light level above which lights will remain off: 50 Lux
- Stand-by period – Time light remains dimmed before shutting off: 60 minutes
- Stand-by Dimming – dimming level of light during the stand-by period: 30%



MOTION SENSOR
Bronze: 63748/65732
White: 62664/65662



REMOTE
(65623)



LEDVANCE LLC
181 Ballardvale Street, Suite 203
Wilmington, MA 01887 USA
Phone: 1-800-LIGHTBULB (1-800-544-4828)
www.ledvanceUS.com

LEDVANCE is a registered trademark.
All other trademarks are those of their respective owners.
Specifications subject to change without notice.



SCAN TO FOLLOW US
ON SOCIAL MEDIA