

# LEDVANCE Luminaires

## DUAL SELECTABLE LINEAR HIGH BAY 5A

VALUE CLASS

### Application

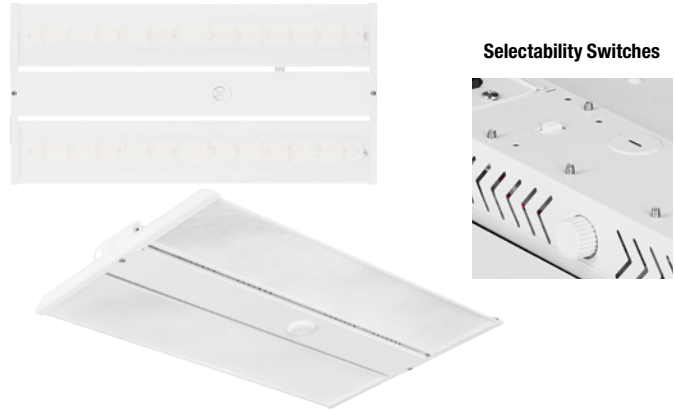
The Dual Selectable Linear High Bay 5A luminaires are environmentally preferable LED alternatives to traditional linear fluorescent and HID luminaires, offering up to 73% in energy savings. Ideal for use in retrofitting traditional luminaires, or as new installations, the Linear High Bay 5A is offered with a choice of three selectable wattage ranges, with all models featuring 4000K and 5000K selectability. The product line offers the additional benefit of being able to easily accept optional field installable motion/daylight sensors. These versatile products are ideal for use in warehouses, manufacturing facilities, big-box retail, gymnasiums, and loading docks.

### Benefits and Features

- Dual Selectability facilitates inventory management and allows for on-site lighting adjustment
- Compact design ensures that this product is suitable for most applications
- Offered in three selectable wattage ranges:
  - 105, 135, or 165W selectable
  - 175, 195, or 220W selectable
  - 255, 275, or 300W selectable
- All models feature 4000K or 5000K selectability
- All fixtures are shipped with a pre-wired sensor base which is ready to accept an optional field-installed screw-in motion/daylight sensor
- Compatible with field installable LEDVANCE Link™ components
- CRI >80
- V-hooks and 3-foot mounting chains are included
- Optional wire guards, surface mounting brackets, and pendant mounting brackets are available
- Up to 144 LPW
- Energy savings up to 73%
- DLC 5.1 Premium

### Electrical

- 6Kv Surge protection
- 120-277V<sub>AC</sub>
- Power Factor >.9
- THD <20%
- 0-10V dimmable



Selectability Switches

### Wattage Comparison

Traditional Source	Traditional System Wattage	LED System Wattage	Energy Savings
4-lamp 32T8	112	105	7%
250W MH	290	105	64%
250W HPS	295	105	64%
4-lamp 54T5H0	220	130	41%
8-lamp 32T8	224	135	40%
250W MH	290	135	53%
250W HPS	295	135	54%
4-lamp 54T5H0	220	165	25%
8-lamp 32T8	224	165	26%
250W MH	290	165	43%
250W HPS	295	165	44%
320W MH	370	165	55%
6-lamp 54T5H0	350	175	50%
8-lamp 32T8	224	175	22%
6-lamp 54T5H0	350	195	44%
320W MH	370	195	47%
400W HPS	460	195	58%
400W MH	450	195	57%
6-lamp 54T5H0	350	220	37%
320W MH	370	220	41%
400W HPS	460	220	52%
400W MH	450	220	51%
8-lamp 54T5H0	480	255	47%
400W MH	450	255	43%
750W MH	820	255	69%
750W HPS	840	255	70%
8-lamp 54T5H0	480	275	43%
400W MH	450	275	39%
750W MH	820	275	66%
750W HPS	840	275	67%
8-lamp 54T5H0	480	300	38%
750W HPS	840	300	64%
1000W MH	1080	300	72%
1000WHPS	1100	300	73%

### Rated Life

- 100,000 hours (L<sub>70</sub>)

### Warranty

- 5-year
- NLB Trusted Warranty Program



LEDLUM174R3 3-24

Catalog #	Type
Project	
Comments	
Prepared by	

**Ambient Operating Range**

— -22°F to +122°F (-30°C to +50°C)

**Certifications and Listings**

- cULus
- RoHS
- DLC 5.1 Premium

**Installation**

- V-Hooks and 3 foot mounting chains included
- Optional surface mount brackets, pendant mount brackets, and aircraft cable mounts are available. Please see the Accessories section for further information
- Suitable for damp locations

**Ordering Guide**

LNHIBA	5A	SXXX	UNV	D	8	SC14	12	WH	E
Product Name	Generation	Selectable Wattage	Voltage	Dimming	CRI	Selectable CCT	Dimensions	Color/Finish	Options
LNHIBA5A = Linear High Bay	5A = Generation 5A	S165 = 105, 135 or 165 S220 = 175, 195 or 220 S300 = 255, 275 or 300	UNV = 120-277V	D = 0-10V Dimming	8 = >80	SC14 = 4000 or 5000K	12 = 1'X2'	WH = White Finish	-- = No option E = Emergency Battery Back-Up L5 = 11-foot cord and L5-15P (125V) Plug L7 = 11-foot cord and L7-15P (277V) Plug L10C = 10-foot cord

**Ordering Information**

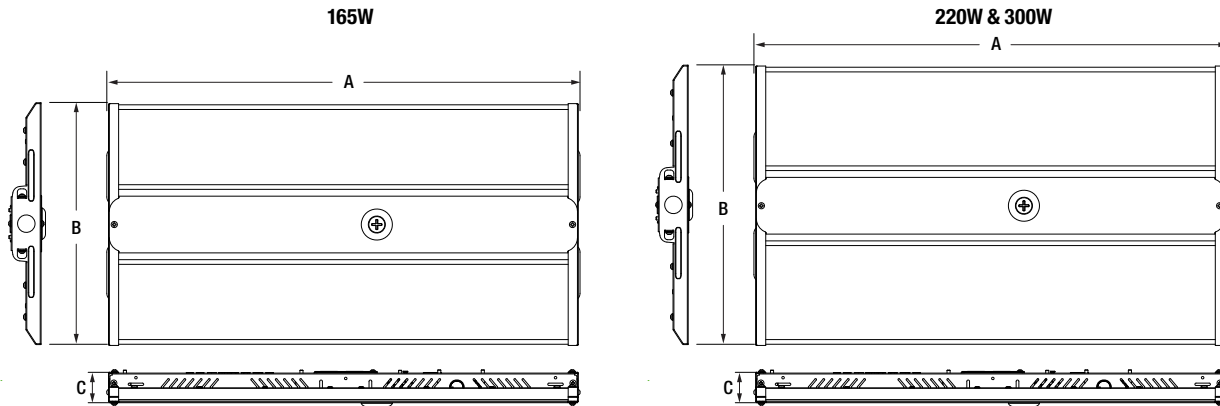
Item Number	Ordering Abbreviation	Power (W)	Input Voltage (V)	Dimming	CRI	Color Temp	Total Fixture Lumens (lm) @4000K	LPW	DLC	Options	MTO*
62875	LNHIBA5A/S165UNVD8SC14/12/WH	105/135/165	120-277V	0-10V	>80	4000K/5000K	14,600/18,600/22,100	Up to 139	Prm	—	—
63061	LNHIBA5A/S165UNVD8SC14/12/WH/E	105/135/165	120-277V	0-10V	>80	4000K/5000K	14,600/18,600/22,100	Up to 139	Prm	Emergency Battery Back-up <sup>†</sup>	MTO
63161	LNHIBA5A/S165UNVD8SC14/12/WH/L5	105/135/165	120-277V	0-10V	>80	4000K/5000K	14,600/18,600/22,100	Up to 139	Prm	11-foot cord and L5-15P (125V) Plug	MTO
63146	LNHIBA5A/S165UNVD8SC14/12/WH/L7	105/135/165	120-277V	0-10V	>80	4000K/5000K	14,600/18,600/22,100	Up to 139	Prm	11-foot cord and L7-15P (277V) Plug	MTO
63149	LNHIBA5A/S165UNVD8SC14/12/WH/L10C	105/135/165	120-277V	0-10V	>80	4000K/5000K	14,600/18,600/22,100	Up to 139	Prm	10-foot cord	MTO
63152	LNHIBA5A/S165UNVD8SC14/12/WH/L5	105/135/165	120-277V	0-10V	>80	4000K/5000K	14,600/18,600/22,100	Up to 139	Prm	Emergency Battery Back-up, 11-foot cord and L5-15P (125V) Plug	MTO
63155	LNHIBA5A/S165UNVD8SC14/12/WH/L7	105/135/165	120-277V	0-10V	>80	4000K/5000K	14,600/18,600/22,100	Up to 139	Prm	Emergency Battery Back-up, 11-foot cord and L7-15P (277V) Plug	MTO
63158	LNHIBA5A/S165UNVD8SC14/12/WH/L10C	105/135/165	120-277V	0-10V	>80	4000K/5000K	14,600/18,600/22,100	Up to 139	Prm	Emergency Battery Back-up, 10-foot cord	MTO
62876	LNHIBA5A/S220UNVD8SC14/12/WH	175/195/220	120-277V	0-10V	>80	4000K/5000K	24,400/26,900/29,000	Up to 139	Prm	—	—
63062	LNHIBA5A/S220UNVD8SC14/12/WH/E	175/195/220	120-277V	0-10V	>80	4000K/5000K	24,400/26,900/29,000	Up to 139	Prm	Emergency Battery Back-up <sup>†</sup>	MTO
63162	LNHIBA5A/S220UNVD8SC14/12/WH/L5	175/195/220	120-277V	0-10V	>80	4000K/5000K	24,400/26,900/29,000	Up to 139	Prm	11-foot cord and L5-15P (125V) Plug	MTO
63147	LNHIBA5A/S220UNVD8SC14/12/WH/L7	175/195/220	120-277V	0-10V	>80	4000K/5000K	24,400/26,900/29,000	Up to 139	Prm	11-foot cord and L7-15P (277V) Plug	MTO
63150	LNHIBA5A/S220UNVD8SC14/12/WH/L10C	175/195/220	120-277V	0-10V	>80	4000K/5000K	24,400/26,900/29,000	Up to 139	Prm	10-foot cord	MTO
63153	LNHIBA5A/S220UNVD8SC14/12/WH/L5	175/195/220	120-277V	0-10V	>80	4000K/5000K	24,400/26,900/29,000	Up to 139	Prm	Emergency Battery Back-up, 11-foot cord and L5-15P (125V) Plug	MTO
63156	LNHIBA5A/S220UNVD8SC14/12/WH/L7	175/195/220	120-277V	0-10V	>80	4000K/5000K	24,400/26,900/29,000	Up to 139	Prm	Emergency Battery Back-up, 11-foot cord and L7-15P (277V) Plug	MTO
63159	LNHIBA5A/S220UNVD8SC14/12/WH/L10C	175/195/220	120-277V	0-10V	>80	4000K/5000K	24,400/26,900/29,000	Up to 139	Prm	Emergency Battery Back-up, 10-foot cord	MTO
62877	LNHIBA5A/S300UNVD8SC14/12/WH	255/275/300	120-277V	0-10V	>80	4000K/5000K	36,700/38,700/41,100	Up to 144	Prm	—	—
63063	LNHIBA5A/S300UNVD8SC14/12/WH/E	255/275/300	120-277V	0-10V	>80	4000K/5000K	36,700/38,700/41,100	Up to 144	Prm	Emergency Battery Back-up <sup>†</sup>	MTO
63163	LNHIBA5A/S300UNVD8SC14/12/WH/L5	255/275/300	120-277V	0-10V	>80	4000K/5000K	36,700/38,700/41,100	Up to 144	Prm	11-foot cord and L5-15P (125V) Plug	MTO
63148	LNHIBA5A/S300UNVD8SC14/12/WH/L7	255/275/300	120-277V	0-10V	>80	4000K/5000K	36,700/38,700/41,100	Up to 144	Prm	11-foot cord and L7-15P (277V) Plug	MTO
63151	LNHIBA5A/S300UNVD8SC14/12/WH/L10C	255/275/300	120-277V	0-10V	>80	4000K/5000K	36,700/38,700/41,100	Up to 144	Prm	10-foot cord	MTO
63154	LNHIBA5A/S300UNVD8SC14/12/WH/L5	255/275/300	120-277V	0-10V	>80	4000K/5000K	36,700/38,700/41,100	Up to 144	Prm	Emergency Battery Back-up, 11-foot cord and L5-15P (125V) Plug	MTO
63157	LNHIBA5A/S300UNVD8SC14/12/WH/L7	255/275/300	120-277V	0-10V	>80	4000K/5000K	36,700/38,700/41,100	Up to 144	Prm	Emergency Battery Back-up, 11-foot cord and L7-15P (277V) Plug	MTO
63160	LNHIBA5A/S300UNVD8SC14/12/WH/L10C	255/275/300	120-277V	0-10V	>80	4000K/5000K	36,700/38,700/41,100	Up to 144	Prm	Emergency Battery Back-up, 10-foot cord	MTO

\*Made To Order

†Emergency battery back-up provides 2000 lumens for 90 minutes.

## Physical Information

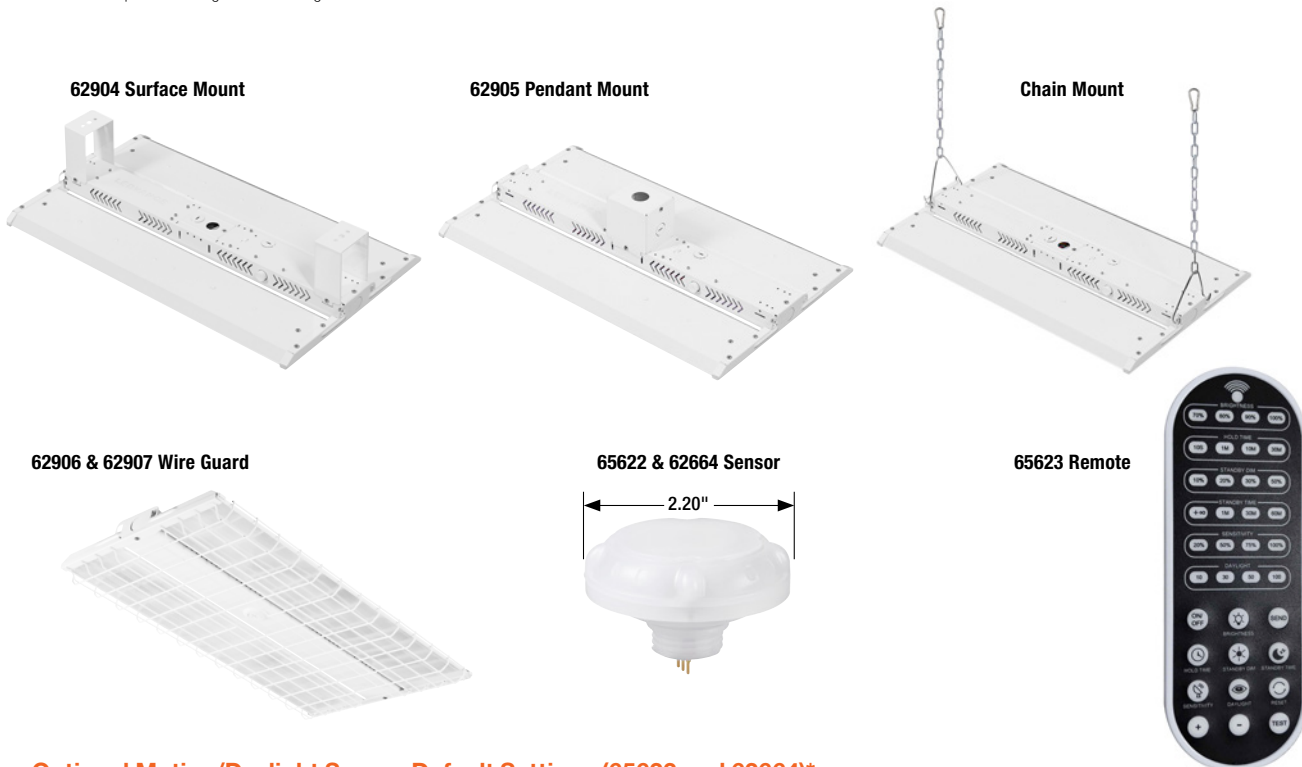
Luminaire Description	(A) Length in (mm)	(B) Width in (mm)	(C) Height in (mm)
165W LNHIBA5A	24 (609)	11.8 (300)	1.6 (40)
220W & 300W LNHIBA5A	24 (609)	14.2 (360)	1.6 (40)



## Accessory Information

Item Number	Ordering Abbreviation	Item Description
62904	LNHIBA5A/SURFMTGBRACKET/WH	Surface Mount Bracket (must order 2 per fixture to mount)
62905	LNHIBA5A/PENDMTGBRACKET/WH	Pendant Mount Bracket sized for 1/2" or 3/4" conduit (1 bracket per SKU for the mounting of 1 luminaire)
62906	LNHIBA5A/WG01/WH	Linear High Bay 5A Wire Guard, white, for use with NAEDs 62875 (165W) only
62907	LNHIBA5A/WG02/WH	Linear High Bay 5A Wire Guard, white, for use with NAEDs 62876 and 62877 (220W and 300W) only
65622	HIGHBAY/MOTIONDAYSENSOR	Field installable microwave Motion/Daylight sensor with maximum mounting height of 49ft.*
62664	HIGHBAY/PIR/MOTIONDAYSENSOR2	Field installable PIR DC Motion/Daylight Sensor, IP65, Max. mounting height 39 ft.*
65623	REMOTE/MOTIONDAY/001	Remote control for Motion/Daylight Sensors (65622 and 62664) – Remote is required to change default settings
60573	LNHIBA2A/CHAINMT	Chain Mount (5 foot) – 2 per SKU (for mounting 1 fixture)
60574	LNHIBA2A/ACCABLEMT	Cable Mount (5 foot) – 2 per SKU (for mounting 1 fixture)

\*Remote is required to change default settings



## Optional Motion/Daylight Sensor Default Settings (65622 and 62664)\*

Detection Area	100%
Hold time – Time fixture stays at 100% after last motion before dimming	10 Minutes
Daylight threshold – Light level above which lights will remain off	50 Lux
Stand-by period – Time light remains dimmed before shutting off	60 Minutes
Stand-by dimming – Dimming level of light during stand-by period	30%

\*The default settings can only be changed using the optional remote 65623.

## Optional LEDVANCE LINK™ Accessories

Field Installable components compatible with Linear High Bay 5A



### Benefits and Features

- The LEDVANCE LINK Bluetooth® Mesh Low Voltage components use Bluetooth technology for easy and secure wireless communication
- Enables regular LEDVANCE luminaires to become Bluetooth enabled and allows for luminaires to be turned on/off and dimmed (manual or auto)
- The LEDVANCE LINK Controller (62630) and Sensor (62634) require the simple adapter (63652) to screw into the Linear High Bay 5A
- Components can be used up to 40ft height
- Control using either the LEDVANCE LINK smart phone app or the wireless wall switch

### Ordering Information

Item Number	Ordering Abbreviation	Description
63652	SENSORADAPTOR1A	Sensor adapter for integration of LEDVANCE LINK 3.5mm components to 3-pin sensor sockets
62630*	ADAPTER/AUX12V/BLE	Bluetooth Mesh low voltage controller – BLE enables fixture
62634*	SENSORHB/PIRAUX12V/BLE	Bluetooth Mesh low voltage sensor & controller Bluetooth – BLE enabled daylight/motion sensor
62636	WALLSWITCH5KEYBLE	Bluetooth Mesh Low Voltage 5 Button Switch

\*Requires BLE adaptor 63652

Click or scan QR code for more information on LEDVANCE LINK



COMMISSIONING GUIDE



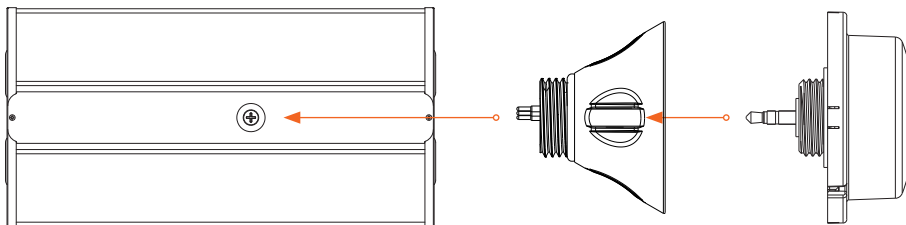
62630



62634



### Physical Information



LEDVANCE LLC  
 181 Ballardvale Street, Suite 203  
 Wilmington, MA 01887 USA  
 Phone 1-800-LIGHTBULB (1-800-544-4828)  
 www.ledvanceUS.com

LEDVANCE is a registered trademark. The Bluetooth® word mark and logos are registered trademarks owned by the Bluetooth SIG, Inc. and any use of such marks by LEDVANCE LLC is under license. All other trademarks are those of their respective owners. Specifications subject to change without notice.



SCAN TO FOLLOW US ON SOCIAL MEDIA

